

## **Excellent Integrated System Limited**

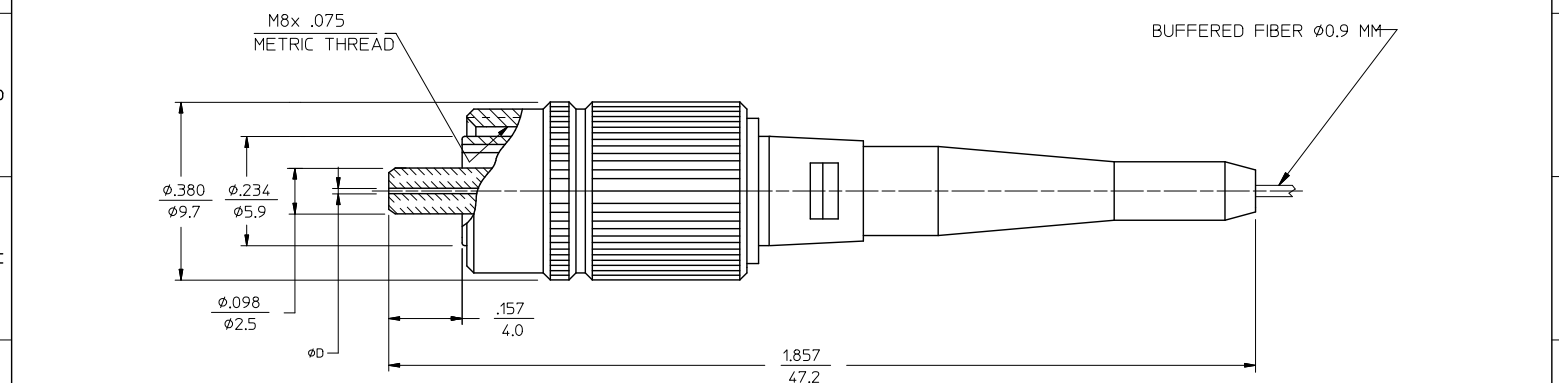
Stocking Distributor

Click to view price, real time Inventory, Delivery & Lifecycle Information:

[Molex Connector Corporation](#)  
[1060530500](#)

For any questions, you can email us directly:  
[sales@integrated-circuit.com](mailto:sales@integrated-circuit.com)

FCII CONNECTOR P/N	øD (Hm)	BOOT COLOR	CABLE TYPE
106053-0500	127	BLACK	MULTIMODE
106053-2500	125.5	YELLOW	SINGLE MODE
106053-2580	125.5	RED	
106053-3500	128	BLACK	
106053-4500	125	BLACK	
106053-5500	126	YELLOW	SINGLE MODE
106053-5520*		RED	
106053-5580		RED	
106053-7500	127	YELLOW	



NOTES:  
 1. DUST CAP IS NOT SHOWN.  
 \*2. P/N 106053-5520 IS BULK PACKED IN QUANTITIES OF 100 PCS.

ENTER DESCRIPTION EC NO: ME2006-0424 DRAWN: RPACIFIC1 2006/01/24 CHKD: GJM/JIN 2006/01/24 APPR: GJM/JIN 2006/01/24	QUALITY SYMBOLS	GENERAL TOLERANCES (UNLESS SPECIFIED)	DIMENSION STYLE	SCALE	DESIGN UNITS	THIRD ANGLE PROJECTION
	▽=0 ▽=0	mm INCH 4 PLACES ± --- ± --- 3 PLACES ± --- ± --- 2 PLACES ± --- ± --- 1 PLACE ± --- ± ---	IN/MM	4:1	INCH	
		ANGULAR ±1/2°	DRAWN BY DATE	TITLE		
		DRAFT WHERE APPLICABLE MUST REMAIN WITHIN DIMENSIONS	RPACIFIC1 2005/12/22	FC CONNECTOR (BARE FIBER)		
			CHECKED BY DATE	MOLEX INCORPORATED		
			APPROVED BY DATE	MATERIAL NO. SEE TABLE		
				DOCUMENT NO. SD-106053-X5X0		
				SHEET NO. 1 OF 1		
				THIS DRAWING CONTAINS INFORMATION THAT IS PROPRIETARY TO MOLEX INCORPORATED AND SHOULD NOT BE USED WITHOUT WRITTEN PERMISSION		