

Excellent Integrated System Limited

Stocking Distributor

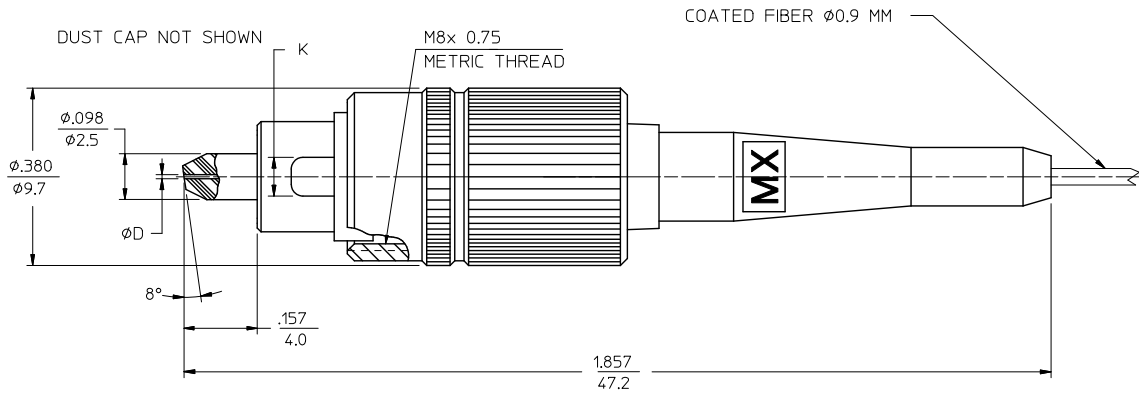
Click to view price, real time Inventory, Delivery & Lifecycle Information:

[Molex Connector Corporation](#)
[1060555500](#)

For any questions, you can email us directly:

sales@integrated-circuit.com

CONNECTOR P/N	ØD(mm)	K (KEY)	TYPE OF FIT
106056-4500	.125	$\frac{.083}{2.1}$	STANDARD
106056-5500	.126		
106055-4500	.125	$\frac{.079}{2.0}$	TIGHT
106055-5500	.126		



ENTER DESCRIPTION EIC NO: ME2012-0610 DRAWN BY: HANAGHAYERE 2012/06/06 CHKD: GUMIN APPR: GUMIN 2012/06/06 REV A1	QUALITY SYMBOLS	GENERAL TOLERANCES (UNLESS SPECIFIED)		DIMENSION STYLE		SCALE	DESIGN UNITS	THIRD ANGLE PROJECTION
	▽=0	mm	INCH	IN/MM		5:1	INCH	
	▽=0	4 PLACES ±	±	DRAWN BY	DATE	TITLE		
		3 PLACES ±	±	PGIBLIN	2005/10/24	FCII APC CONN. (BARE FIBER)		
		2 PLACES ±	±	CHECKED BY	DATE	molex		
	1 PLACE ±	±	APPROVED BY		DATE	MATERIAL NO.	DOCUMENT NO.	SHEET NO.
	0 PLACE ±	±	ANGULAR ±1/2°			SEE TABLE	SD-10605X-X500	1 OF 1
			DRAFT WHERE APPLICABLE		THIS DRAWING CONTAINS INFORMATION THAT IS PROPRIETARY TO MOLEX			
			MUST REMAIN WITHIN DIMENSIONS		INCORPORATED AND SHOULD NOT BE USED WITHOUT WRITTEN PERMISSION			