

Excellent Integrated System Limited

Stocking Distributor

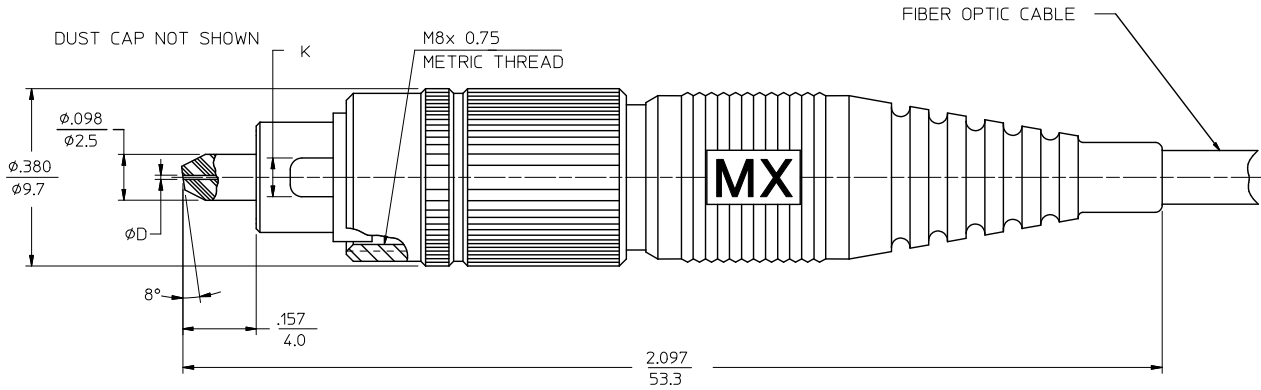
Click to view price, real time Inventory, Delivery & Lifecycle Information:

[Molex Connector Corporation](#)
[1060562000](#)

For any questions, you can email us directly:

sales@integrated-circuit.com

CONNECTOR P/N	∅D(mm)	K (KEY)	TYPE OF FIT	CABLE DIAMETER (mm)
106056-2000	.1255	.083 2.1	STANDARD	3
106055-2000		.0785 2.0	TIGHT	
106056-4000	.125	.083 2.1	STANDARD	
106055-4000		.0785 2.0	TIGHT	
106056-5000	.126	.083 2.1	STANDARD	2.4
106055-5000		.0785 2.0	TIGHT	
106056-5300		.083 2.1	STANDARD	



ENTER DESCRIPTION E.C. NO: ME2010-0066 DRAWN/REVZNER 2009/08/13 CHKD: 2009/08/13 APPR: GUMIN 2009/08/17 REV	QUALITY SYMBOLS ▽=0 ▽=0	GENERAL TOLERANCES (UNLESS SPECIFIED) <table border="1"> <thead> <tr> <th></th> <th>mm</th> <th>INCH</th> </tr> </thead> <tbody> <tr> <td>4 PLACES</td> <td>± .005</td> <td>± .0002</td> </tr> <tr> <td>3 PLACES</td> <td>± .003</td> <td>± .0001</td> </tr> <tr> <td>2 PLACES</td> <td>± .002</td> <td>± .00008</td> </tr> <tr> <td>1 PLACE</td> <td>± .001</td> <td>± .00004</td> </tr> </tbody> </table>		mm	INCH	4 PLACES	± .005	± .0002	3 PLACES	± .003	± .0001	2 PLACES	± .002	± .00008	1 PLACE	± .001	± .00004	DIMENSION STYLE IN/MM DRAWN BY PGIBLIN DATE 2005/10/24 CHECKED BY DATE APPROVED BY DATE	SCALE 5:1 DESIGN UNITS INCH THIRD ANGLE PROJECTION	TITLE FCII APC CONNECTOR 3.0MM
		mm	INCH																	
	4 PLACES	± .005	± .0002																	
	3 PLACES	± .003	± .0001																	
2 PLACES	± .002	± .00008																		
1 PLACE	± .001	± .00004																		
DRAFT WHERE APPLICABLE MUST REMAIN WITHIN DIMENSIONS		MATERIAL NO. SEE TABLE	APPROVED BY 	MOLEX INCORPORATED	SHEET NO. 1 OF 01															
SIZE B		THIS DRAWING CONTAINS INFORMATION THAT IS PROPRIETARY TO MOLEX INCORPORATED AND SHOULD NOT BE USED WITHOUT WRITTEN PERMISSION																		