

## Excellent Integrated System Limited

Stocking Distributor

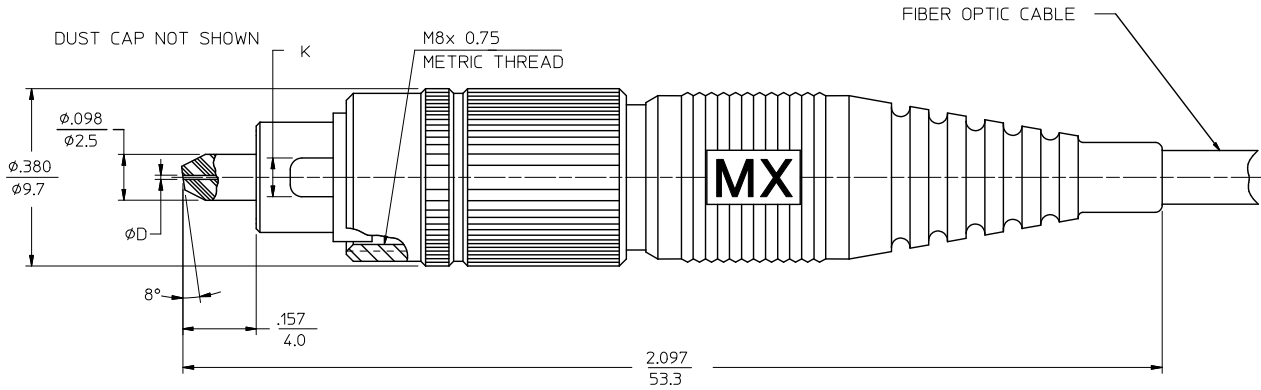
Click to view price, real time Inventory, Delivery & Lifecycle Information:

[Molex Connector Corporation](#)  
[1060564000](#)

For any questions, you can email us directly:

[sales@integrated-circuit.com](mailto:sales@integrated-circuit.com)

CONNECTOR P/N	∅D(mm)	K (KEY)	TYPE OF FIT	CABLE DIAMETER (mm)
106056-2000	.1255	.083 2.1	STANDARD	3
106055-2000		.0785 2.0	TIGHT	
106056-4000	.125	.083 2.1	STANDARD	
106055-4000		.0785 2.0	TIGHT	
106056-5000	.126	.083 2.1	STANDARD	2.4
106055-5000		.0785 2.0	TIGHT	
106056-5300		.083 2.1	STANDARD	



<b>ENTER DESCRIPTION</b> E.C. NO: ME2010-0066 DRAWN/REVZNER 2009/08/13 CHKD: 2009/08/13 APPR: GUMIN 2009/08/17 <b>A1</b>	<b>QUALITY SYMBOLS</b> ▽=0 ▽=0 ▽=0	<b>GENERAL TOLERANCES (UNLESS SPECIFIED)</b>		<b>DIMENSION STYLE</b> IN/MM	<b>SCALE</b> 5:1	<b>DESIGN UNITS</b> INCH	THIRD ANGLE PROJECTION	
		4 PLACES ± --- ± ---	mm	INCH	DRAWN BY PGIBLIN DATE 2005/10/24	<b>TITLE</b> FCII APC CONNECTOR 3.0MM		
		3 PLACES ± --- ± ---	CHECKED BY DATE		<b>APPROVED BY</b> DATE			
		2 PLACES ± --- ± ---	1 PLACE ± --- ± ---		<b>MATERIAL NO.</b> SEE TABLE			
ANGULAR ±1/2°		DRAFT WHERE APPLICABLE MUST REMAIN WITHIN DIMENSIONS		<b>MOLEX INCORPORATED</b>		<b>DOCUMENT NO.</b> SD-10605X-XX00	<b>SHEET NO.</b> 1 OF 01	
THIS DRAWING CONTAINS INFORMATION THAT IS PROPRIETARY TO MOLEX INCORPORATED AND SHOULD NOT BE USED WITHOUT WRITTEN PERMISSION								