

## **Excellent Integrated System Limited**

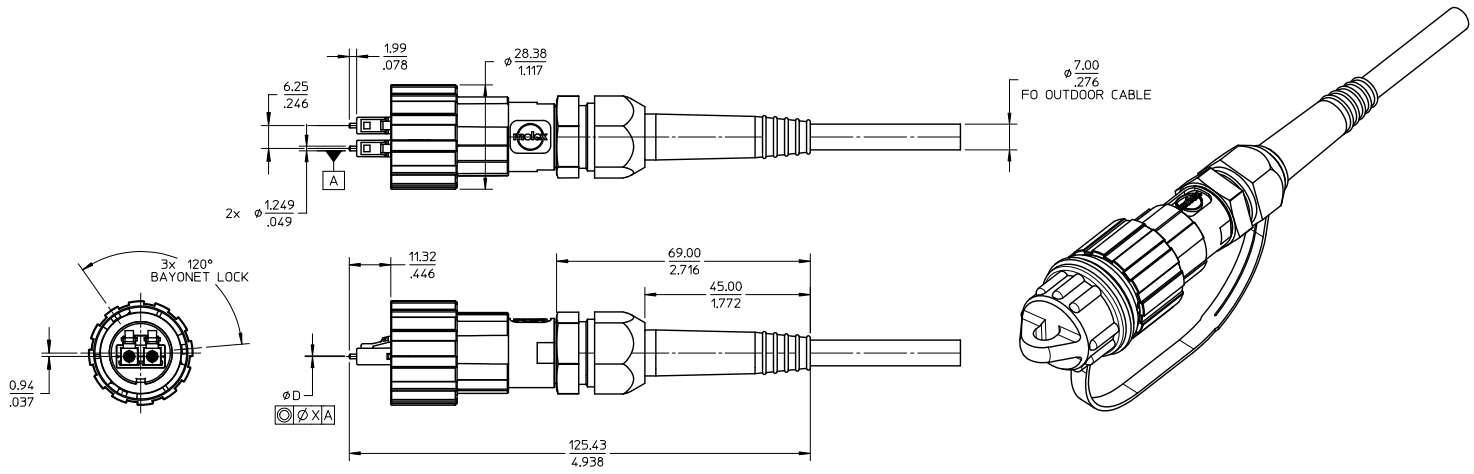
Stocking Distributor

Click to view price, real time Inventory, Delivery & Lifecycle Information:

[Molex Connector Corporation](#)  
[1060597500](#)

For any questions, you can email us directly:  
[sales@integrated-circuit.com](mailto:sales@integrated-circuit.com)

10	9	8	7	6	5	4	3	2	106059
PLUG ASSY P/N	CABLE TYPE	ØD (µ)	ØX (µ)						
1060597100	MULTIMODE	127 +3/-0	3						
1060597500	SINGLE MODE	125.5 +0.5/-0	0.5						



- NOTES:
1. ALL DIMENSIONS SHOWN ARE FOR REFERENCE ONLY.
  2. DUST CAP AND TETHER ARE SHOWN IN THE ISOMETRIC VIEW ONLY.

<b>ENTER DESCRIPTION</b> EC NO: MF2011-0319 2011/02/10 DRAWN: BEBNYAK CHKD: APPROV: WCHEN APPR: WCHEN 2011/03/01	QUALITY SYMBOLS	GENERAL TOLERANCES (UNLESS SPECIFIED)		DIMENSION STYLE		SCALE	DESIGN UNITS	THIRD ANGLE PROJECTION
	▽=0	mm	INCH	MM/IN		1:1	METRIC	
	▽=0	4 PLACES ±---	±---	DRAWN BY	DATE	TITLE		
		3 PLACES ±---	±---	B. ANDREI	11/02/2006	PLUG ASSEMBLY METAL BODY INDUSTRIAL LC WITH LOGO		
	2 PLACES ±---	±---	CHECKED BY	DATE	MATERIAL NO.			SHEET NO.
	1 PLACE ±---	±---	S. MIGO	12/4/2006	WCHEN		2010/10/05	1 OF 1
	ANGULAR ±---	°	APPROVED BY		DATE		DOCUMENT NO.	
	DRAFT WHERE APPLICABLE MUST REMAIN WITHIN DIMENSIONS		SEE TABLE		2010/10/05		SD-106059-7100	
	THIS DRAWING CONTAINS INFORMATION THAT IS PROPRIETARY TO MOLEX INCORPORATED AND SHOULD NOT BE USED WITHOUT WRITTEN PERMISSION							