

## Excellent Integrated System Limited

Stocking Distributor

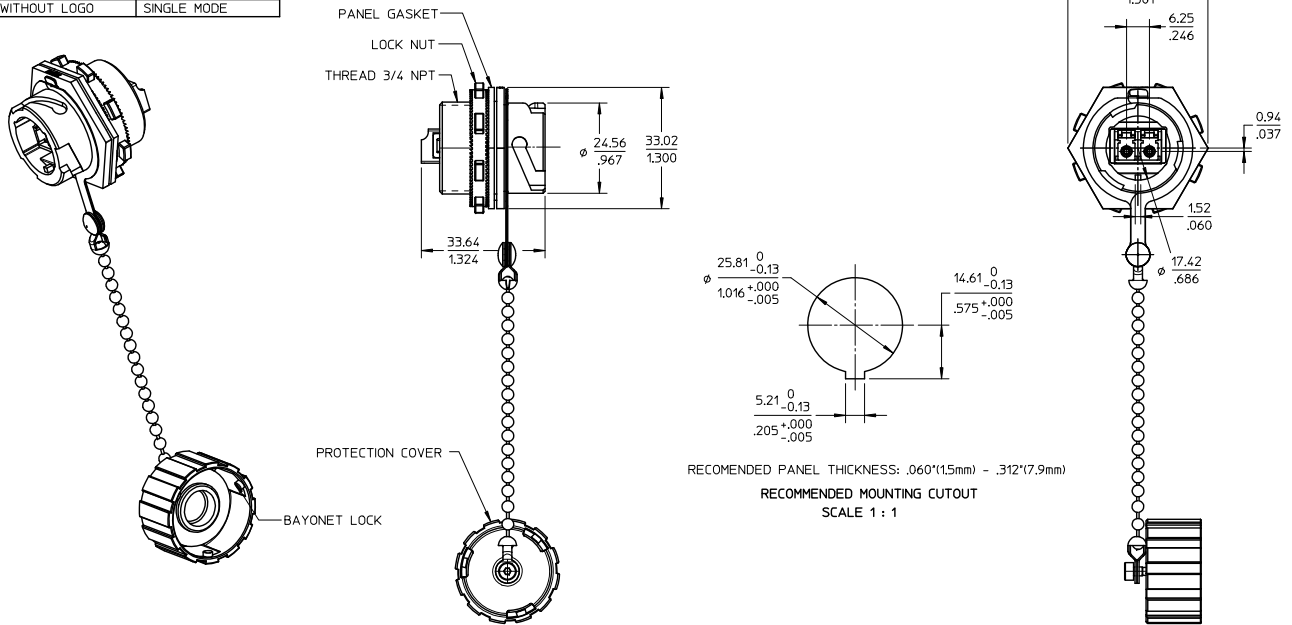
Click to view price, real time Inventory, Delivery & Lifecycle Information:

[Molex Connector Corporation](#)  
[1060597600](#)

For any questions, you can email us directly:

[sales@integrated-circuit.com](mailto:sales@integrated-circuit.com)

ADAPTER P/N	VERSION	CABLE TYPE
1060597200	WITH LOGO	MULTIMODE
1060597400	WITHOUT LOGO	MULTIMODE
1060597600	WITH LOGO	SINGLE MODE
1060597800	WITHOUT LOGO	SINGLE MODE



NOTE:  
ALL DIMENSIONS SHOWN ARE FOR REFERENCE ONLY.

ENTER DESCRIPTION EC NO: ME2009-0650 DRAWN BY: CHYKOBANDREI CHECKED BY: APPREBANDREI DATE: 2009/06/02 DATE: 2009/06/03	QUALITY SYMBOLS	GENERAL TOLERANCES (UNLESS SPECIFIED)	DIMENSION STYLE	SCALE	DESIGN UNITS	THIRD ANGLE PROJECTION															
	$\nabla=0$ $\nabla=0$	<table border="1"> <thead> <tr> <th></th> <th>mm</th> <th>INCH</th> </tr> </thead> <tbody> <tr> <td>4 PLACES</td> <td>±---</td> <td>±---</td> </tr> <tr> <td>3 PLACES</td> <td>±---</td> <td>±---</td> </tr> <tr> <td>2 PLACES</td> <td>±---</td> <td>±---</td> </tr> <tr> <td>1 PLACE</td> <td>±---</td> <td>±---</td> </tr> </tbody> </table>		mm	INCH	4 PLACES	±---	±---	3 PLACES	±---	±---	2 PLACES	±---	±---	1 PLACE	±---	±---	MM/IN	1:1	METRIC	
		mm	INCH																		
	4 PLACES	±---	±---																		
3 PLACES	±---	±---																			
2 PLACES	±---	±---																			
1 PLACE	±---	±---																			
DRAWN BY: B. ANDREI CHECKED BY: S. MIGO DATE: 11/3/2006 DATE: 12/4/2006	MATERIAL NO. SEE TABLE	TITLE ADAPTER ASSEMBLY METAL BODY INDUSTRIAL LC	MOLEX INCORPORATED	DOCUMENT NO. SD-106059-7X00	SHEET NO. 1 OF 1																
DRAFT WHERE APPLICABLE MUST REMAIN WITHIN DIMENSIONS	THIS DRAWING CONTAINS INFORMATION THAT IS PROPRIETARY TO MOLEX INCORPORATED AND SHOULD NOT BE USED WITHOUT WRITTEN PERMISSION																				