

Excellent Integrated System Limited

Stocking Distributor

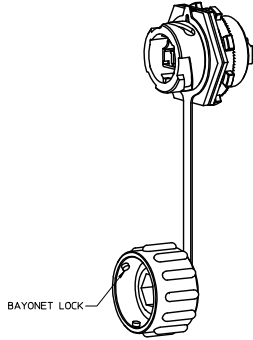
Click to view price, real time Inventory, Delivery & Lifecycle Information:

[Molex Connector Corporation](#)
[1060597650](#)

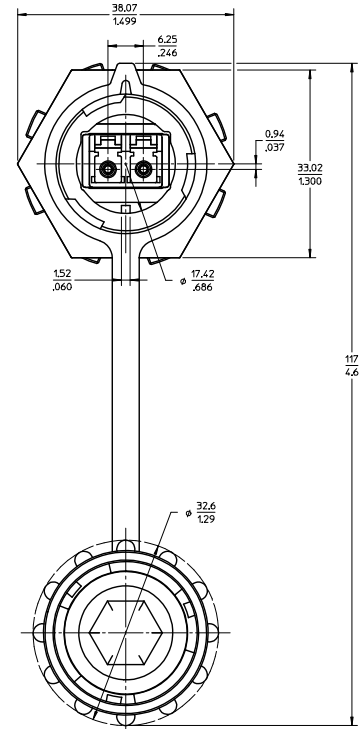
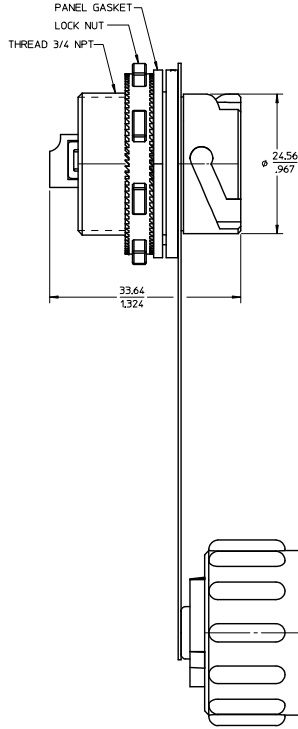
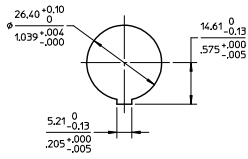
For any questions, you can email us directly:

sales@integrated-circuit.com

ADAPTER P/N	VERSION	CABLE TYPE
1060597250	WITH LOGO	MULTIMODE
1060597450	WITHOUT LOGO	MULTIMODE
1060597650	WITH LOGO	SINGLE MODE
1060597850	WITHOUT LOGO	SINGLE MODE



ISOMETRIC VIEW
SCALE 1:1



NOTE:

1. ALL DIMENSIONS ARE FOR REFERENCE ONLY.

2. ADAPTER ASSEMBLY AND ITS COMPONENTS ARE COMPLIANT WITH EU DIRECTIVE 2002/95/EC ON THE RESTRICTION OF THE USE OF HAZARDOUS SUBSTANCES IN ELECTRICAL AND ELECTRONIC EQUIPMENT (ROHS).

ENTER DESCRIPTION EC NO: MF2013-0307 DRAWN: SADAUSKAS LENE/2011/12/7 CHKD: APPR: WICHEN 2012/12/04	QUALITY SYMBOLS ▽=0 ▽=0	GENERAL TOLERANCES (UNLESS SPECIFIED)		DIMENSION STYLE MM/IN	SCALE 2:1	DESIGN UNITS METRIC	THIRD ANGLE PROJECTION
		4 PLACES ± --- ± --- 3 PLACES ± --- ± --- 2 PLACES ± --- ± --- 1 PLACE ± --- ± ---	DRAWN BY L. SADAUSKAS 2007/11/12	DATE	TITLE ADAPTER ASSEMBLY, METAL BODY INDUSTRIAL LC W/PLASTIC DUST COVER		
		ANGULAR ± 1/2°	CHECKED BY	DATE	MOLEX MOLEX INCORPORATED		
		DRAFT WHERE APPLICABLE MUST REMAIN WITHIN DIMENSIONS	APPROVED BY B. ANDREI	DATE	MATERIAL NO. SEE TABLE		
				DOCUMENT NO. SD-106059-7X50	SHEET NO. 1 OF 1		