

## **Excellent Integrated System Limited**

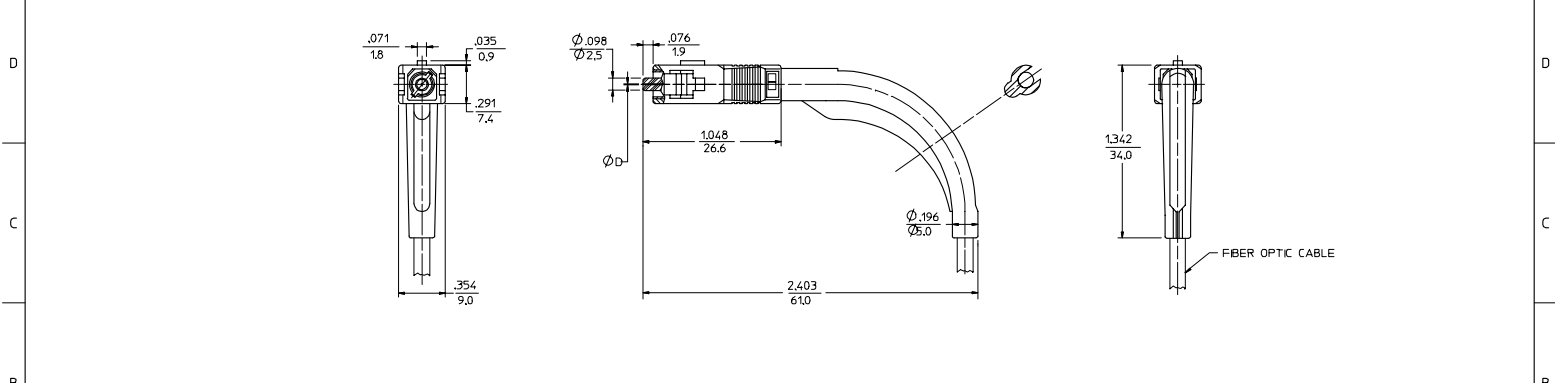
Stocking Distributor

Click to view price, real time Inventory, Delivery & Lifecycle Information:

[Molex Connector Corporation](#)  
[1060635400](#)

For any questions, you can email us directly:  
[sales@integrated-circuit.com](mailto:sales@integrated-circuit.com)

10		9		8		7		6		5		4		3		2		106063						
CONNECTOR P/N	ØD (4m)	HOUSING COLOR	BOOT COLOR	CABLE SIZE (mm)	CONNECTOR TYPE		CONNECTOR P/N	ØD (4m)	HOUSING COLOR	BOOT COLOR	CABLE SIZE (mm)	CONNECTOR TYPE												
106063-0600	127	BLUE	BLUE	2.4	MULTIMODE		106063-4400	125	BLUE	YELLOW	3.0	SINGLE MODE												
106063-0660		BEIGE	BEIGE				106063-4470		BLACK	BLACK				106063-4480	RED	RED								
106063-0670		BLACK	BLACK				106063-4600		BLUE	YELLOW				106063-5400	BLUE	YELLOW								
106063-0400		BLUE	BLUE	3.0			106063-5470	BLACK	BLACK	126	BLACK			BLACK	3.0	106063-5480	RED	RED	106063-5600	BLUE	YELLOW	2.4		
106063-0460		BEIGE	BEIGE				106063-5470	BLACK	BLACK		106063-5480			RED		RED	106063-5600	BLUE	YELLOW	2.4				
106063-0470		BLACK	BLACK				106063-5470	BLACK	BLACK		106063-5480			RED		RED	106063-5600	BLUE	YELLOW	2.4				
106063-0480	RED	RED	2.4	SINGLE MODE		106063-7400	127	BLUE	YELLOW	2.4														
106063-2400	125.5	BLUE				YELLOW		106063-7600	BLUE		YELLOW													
106063-2600		BLUE				YELLOW																		
106063-3400		128	BEIGE	BEIGE	3.0	MULTIMODE																		
106063-3460	BEIGE		BEIGE																					
106063-3470	BLACK		BLACK																					
106063-3480	RED		RED																					



NOTE:  
FERRULE MATERIAL - ZIRCONIA.

ENTER DESCRIPTION EC NO: MF2008-0136 DRAWN: PEZNER CHKD: GUMIN APPR: GUMIN REV: B1	QUALITY SYMBOLS ▽=0 ▽=0	GENERAL TOLERANCES (UNLESS SPECIFIED)		DIMENSION STYLE	SCALE	DESIGN UNITS	THIRD ANGLE PROJECTION	
		4 PLACES	±	---	INCH	1.5:1	INCH	SC CONNECTOR, 90 DEGREE BOOT  MOLEX INCORPORATED
		3 PLACES	±	---	IN/MM			
		2 PLACES	±	---				
1 PLACE	±	---						
		ANGULAR ±1/2°		DRAWN BY	DATE			
		DRAFT WHERE APPLICABLE MUST REMAIN WITHIN DIMENSIONS		PG1BL IN	2005/09/23			
				CHECKED BY	DATE			
				APPROVED BY	DATE			
				MATERIAL NO.	2005/09/23			
				SEE TABLE				
				DOCUMENT NO.				
				SD-106063-YYY0				
				SHEET NO.				
				1 OF 1				