

## Excellent Integrated System Limited

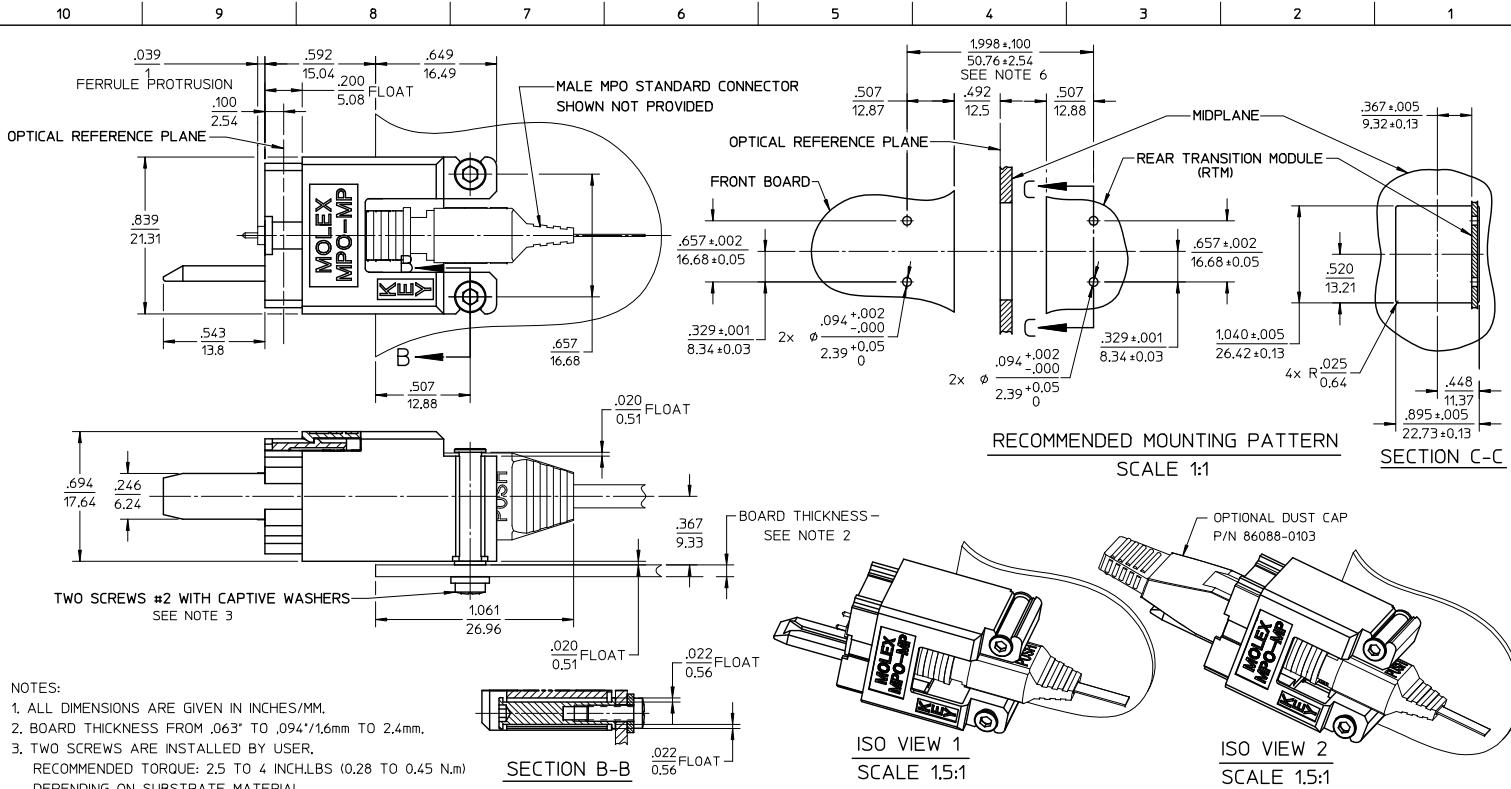
Stocking Distributor

Click to view price, real time Inventory, Delivery & Lifecycle Information:

[Molex Connector Corporation](#)  
[1060880100](#)

For any questions, you can email us directly:

[sales@integrated-circuit.com](mailto:sales@integrated-circuit.com)



**NOTES:**

1. ALL DIMENSIONS ARE GIVEN IN INCHES/MM.
2. BOARD THICKNESS FROM .063" TO .094"/1.6mm TO 2.4mm.
3. TWO SCREWS ARE INSTALLED BY USER.  
RECOMMENDED TORQUE: 2.5 TO 4 INCH.LBS (0.28 TO 0.45 N.m) DEPENDING ON SUBSTRATE MATERIAL.  
USER IS RESPONSIBLE TO DETERMINE THE PROPER TORQUE.
4. MIDPLANE, FRONT BOARD AND REAR TRANSITION MODULE (RTM) SHOULD HAVE ALIGNMENT AND KEYING ACCORDING TO ATCA REQUIREMENTS.
5. NO OPTICAL CONNECTIONS SHALL BE MADE UNTIL MIDPLANE (BACKPLANE) ALIGNMENT PINS CONNECTED WITH FEMALE RECEPTACLES OF THE FRONT BOARD AND REAR TRANSITION MODULE (RTM).
6. TWO SIDES ARE TO BE WITHIN THE RANGE OF THIS DIMENSION (FROM 2.098" TO 1.898") ONCE MATED.

<b>ENTER DESCRIPTION</b> EIC NO: ME2014-0356 DRW: KIKUCHI CHKD: JIM APPR: GUMIN 2013/11/25 2013/11/26 REV: A1	<b>QUALITY SYMBOLS</b> ▽=0 ▽=0	<b>GENERAL TOLERANCES (UNLESS SPECIFIED)</b>		<b>DIMENSION STYLE</b> IN/MM		SCALE 2:1	DESIGN UNITS INCH	THIRD ANGLE PROJECTION		
		4 PLACES	±---	±---	YB	DATE	TITLE MPO MIDPLANE CONNECTOR			
		3 PLACES	±---	±---	SM	DATE	Molex INCORPORATED			
		2 PLACES	±---	±---	IM	DATE	MATERIAL NO. 1060880100 DOCUMENT NO. SD-106088-0100 SHEET NO. 1 OF 1			
DRAFT WHERE APPLICABLE MUST REMAIN WITHIN DIMENSIONS		ANGULAR ±---°		THIS DRAWING CONTAINS INFORMATION THAT IS PROPRIETARY TO MOLEX INCORPORATED AND SHOULD NOT BE USED WITHOUT WRITTEN PERMISSION						