

## Excellent Integrated System Limited

Stocking Distributor

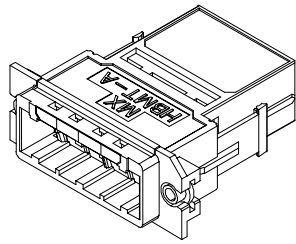
Click to view price, real time Inventory, Delivery & Lifecycle Information:

[Molex Connector Corporation](#)  
[1061050000](#)

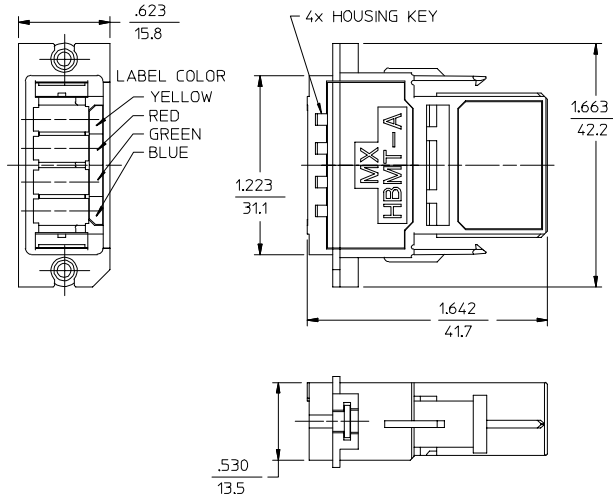
For any questions, you can email us directly:

[sales@integrated-circuit.com](mailto:sales@integrated-circuit.com)

ADAPTER P/N	MOUNTING	FLOAT	PLATING	A	B	C	D WHEN E < .158 (4)	D WHEN E > .158 (4)	MATES WITH DAUGHTER CARD CONNECTOR P/N	BACKPLANE MATERIAL
106105-0000	RIVET	YES	NO	1.263 (32.08)	.570 (14.48)	.095 (2.41)	.367 (9.32)-E	.209 (5.31)	106105-0100, 106105-1100, 106105-2100	ANY
106105-1000	SCREW	YES	NO	1.263 (32.08)	.570 (14.48)	.090 (2.29)	.417 (10.59)-E	.259 (6.58)	106105-0100, 106105-1100, 106105-2100	NON-METALLIC
106105-1001	SCREW	YES	NO	1.263 (32.08)	.570 (14.48)	.090 (2.29)	.417 (10.59)-E	.259 (6.58)	106105-0100, 106105-1100, 106105-2100	ANY
106105-2200	SCREW	NO	YES	1.233 (31.32)	.540 (13.72)	.090 (2.29)	.417 (10.59)-E	.259 (6.58)	106105-2300	ANY
106105-2000	SCREW	NO	NO	1.233 (31.32)	.540 (13.72)	.090 (2.29)	.417 (10.59)-E	.259 (6.58)	106105-2100	ANY



ISOMETRIC VIEW



NOTES:

1. WHEN DIMENSION E IS GREATER THAN .158 (4), MOTHERBOARD MAY BE RECESSED FOR SCREW HEAD TO REDUCE DIMENSION D.

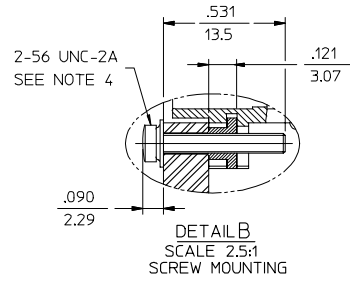
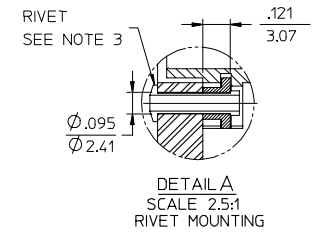
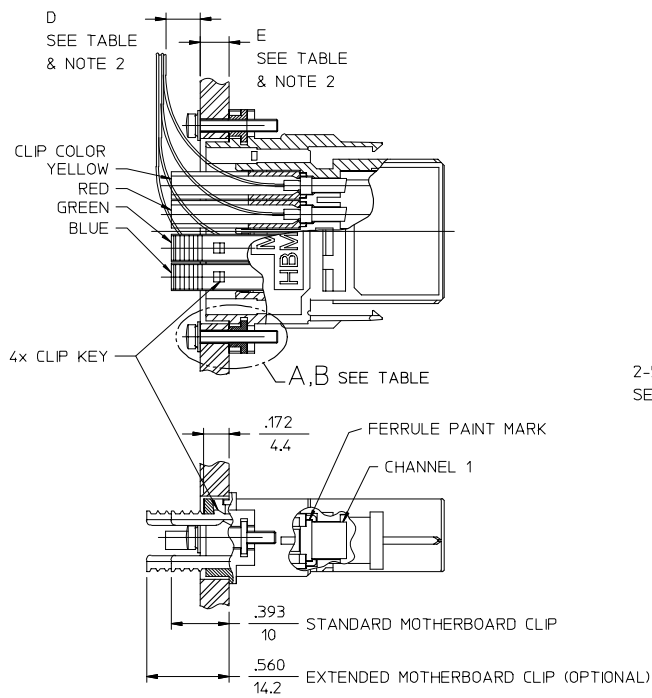
2. RIVETS NOT INCLUDED WITH ADAPTER.

3. SCREWS ARE INCLUDED WITH ADAPTER AND ARE INSTALLED BY USER.

RECOMMENDED TORQUE: 2.5 TO 4 IN.LBS (0.28 TO 0.45 N.m) DEPENDING ON SUBSTRATE MATERIAL AND SCREW TYPE. USER IS ENCOURAGED TO DETERMINE THE PROPER TORQUE TO USE BY TRIAL (SEE MACHINERY'S HANDBOOK FOR PROCEDURE).

4. ASSEMBLY TOOL (MOLEX P/N 86902-1400) IS REQUIRED TO MOUNT ADAPTER P/N 106105-1001 TO BACKPLANE.

ENTER DESCRIPTION EC NO: ME2006-0296 DRAWN: PGIBLIN 2005/11/29 CHKD: 2005/11/29 APPR: GUMIN 2005/11/29 REV:	QUALITY SYMBOLS	GENERAL TOLERANCES (UNLESS SPECIFIED)	DIMENSION STYLE IN/MM	SCALE 2:1	DESIGN UNITS INCH	THIRD ANGLE PROJECTION
	▽=0	4 PLACES ± --- ± ---	mm INCH	DRAWN BY PGIBLIN	DATE 2005/10/31	TITLE HBMT MOTHERBOARD ADAPTER
	▽=0	3 PLACES ± --- ± ---		CHECKED BY	DATE	
		2 PLACES ± --- ± ---		APPROVED BY	DATE	
		1 PLACE ± --- ± ---				
		ANGULAR ± 1°				
		DRAFT WHERE APPLICABLE MUST REMAIN WITHIN DIMENSIONS	MATERIAL NO. SEE TABLE	DOCUMENT NO. SD-106105-100X	SHEET NO. 1 OF 02	
			SIZE B	THIS DRAWING CONTAINS INFORMATION THAT IS PROPRIETARY TO MOLEX INCORPORATED AND SHOULD NOT BE USED WITHOUT WRITTEN PERMISSION		



ENTER DESCRIPTION EC NO: ME2006-0296 DRAWN: PGIBLIN CHKD: PGIBLIN APPR: LGUMIN	QUALITY SYMBOLS ▽=0 ▽=0	GENERAL TOLERANCES (UNLESS SPECIFIED)		DIMENSION STYLE	SCALE	DESIGN UNITS	THIRD ANGLE PROJECTION	
				IN/MM	2:1	INCH		
		4 PLACES	±	---	---	DRAWN BY	DATE	TITLE
		3 PLACES	±	---	---	PGIBLIN	2005/10/31	HBMT MOTHERBOARD ADAPTER
2 PLACES	±	---	---	CHECKED BY	DATE			
1 PLACE	±	---	---	APPROVED BY	DATE			
ANGULAR ± 1°		DRAFT WHERE APPLICABLE MUST REMAIN WITHIN DIMENSIONS		MATERIAL NO.	DOCUMENT NO.	SHEET NO.		
				SEE TABLE	SD-106105-100X	2 OF 02		
				THIS DRAWING CONTAINS INFORMATION THAT IS PROPRIETARY TO MOLEX INCORPORATED AND SHOULD NOT BE USED WITHOUT WRITTEN PERMISSION				