

Excellent Integrated System Limited

Stocking Distributor

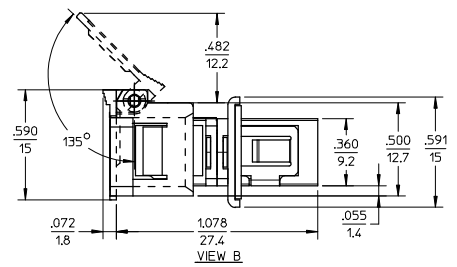
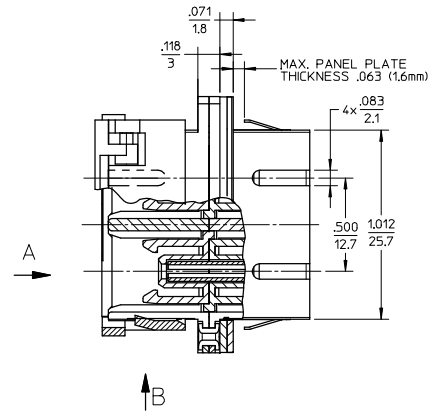
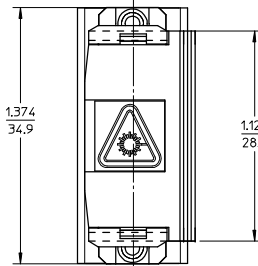
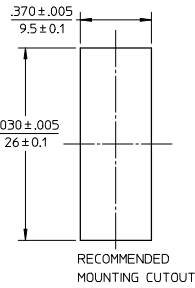
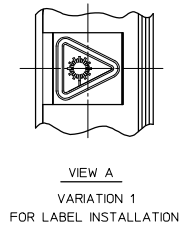
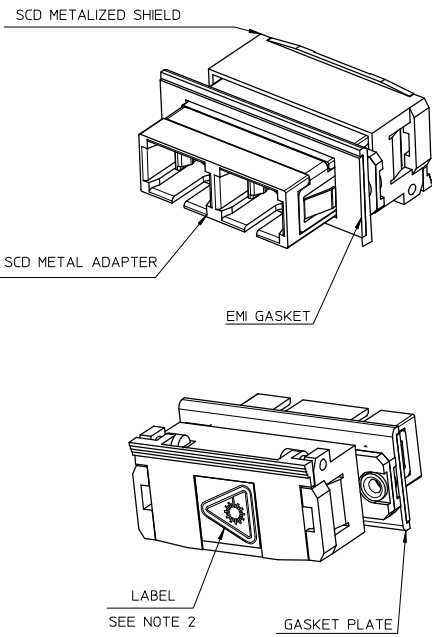
Click to view price, real time Inventory, Delivery & Lifecycle Information:

[Molex Connector Corporation](#)
[1061161000](#)

For any questions, you can email us directly:

sales@integrated-circuit.com

10 9 7 6 5 4 3 2 106116



- NOTES:
1. ALL DIMENSIONS ARE FOR REFERENCE ONLY.
 2. LABEL MUST BE INSTALLED AND ORIENTED BY CUSTOMER.
 3. DUST CAPS ARE NOT SHOWN BUT INCLUDED.
 4. SCD METAL ADAPTER CONTAINS ZIRCONIA CERAMIC ALIGNMENT SLEEVES.
 5. SCD EMI ADAPTER MEETS APPLICABLE EIA/TIA STANDARDS.

ENTER DESCRIPTION EC NO: ME2008-0363 DRAWN: SZEWCZYK CHKD: GUMIN APPR: GUMIN 2008/07/29 2008/07/29 2008/07/29	QUALITY SYMBOLS ▽=0 ▽=0	GENERAL TOLERANCES (UNLESS SPECIFIED)		DIMENSION STYLE IN/MM		SCALE 2:1	DESIGN UNITS INCH	THIRD ANGLE PROJECTION			
		4 PLACES ± --- ± --- 3 PLACES ± --- ± --- 2 PLACES ± --- ± --- 1 PLACE ± --- ± ---	mm INCH	DRAWN BY PGIBLIN	DATE 2005/10/28	TITLE SCD EMI ADAPTER W/SHILED					
		ANGULAR ±1/2°		CHECKED BY	DATE	APPROVED BY					
		DRAFT WHERE APPLICABLE MUST REMAIN WITHIN DIMENSIONS		MATERIAL NO. 1061161000	DOCUMENT NO. SD-106116-1000	MOLEX INCORPORATED					
		SIZE B		THIS DRAWING CONTAINS INFORMATION THAT IS PROPRIETARY TO MOLEX INCORPORATED AND SHOULD NOT BE USED WITHOUT WRITTEN PERMISSION							

9 8 7 6 5 4 3 2 1