

Excellent Integrated System Limited

Stocking Distributor

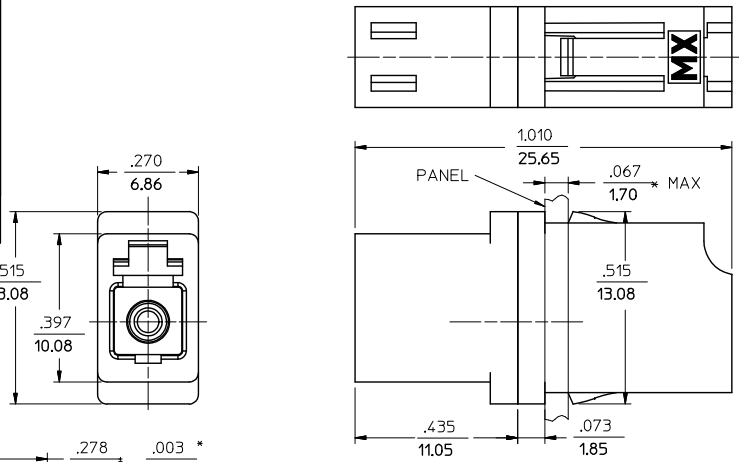
Click to view price, real time Inventory, Delivery & Lifecycle Information:

[Molex Connector Corporation](#)
[1061240010](#)

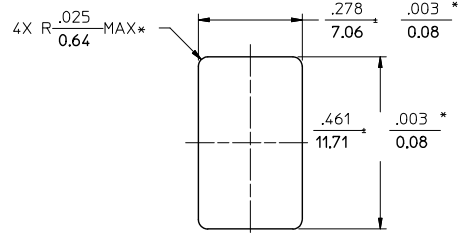
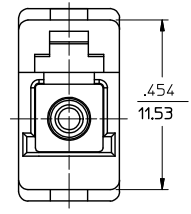
For any questions, you can email us directly:
sales@integrated-circuit.com

10 9 8 7 6 5 4 3 2 106124

ADAPTER P/N	COLOR	SPLIT SLEEVE MATERIAL
106124-1000	BLUE	ZIRCONIA - ZrO ₂
106124-0010	BEIGE	Ph. Bronze
106124-1050	GREEN	ZIRCONIA - ZrO ₂
106124-0000	BLUE	Ph. Bronze
106124-1010	BEIGE	ZIRCONIA - ZrO ₂
106124-1200	AQUA	



(DUST CAPS ARE NOT SHOWN)



RECOMMENDED PANEL CUTOUT
PANEL THICKNESS $\frac{.067}{1.70}$ MAX.

NOTES:
1. ALL DIMENSIONS ARE FOR REFERENCE ONLY, EXCEPT WHEN MARKED WITH (*).

ENTER DESCRIPTION EC NO: ME2013-0244 DRAWN/REVISED: 2012/10/29 CHKD: [blank] APPR: [blank]	QUALITY SYMBOLS ▽=0 ▽=0	GENERAL TOLERANCES (UNLESS SPECIFIED)		DIMENSION STYLE IN/MM	SCALE 4:1	DESIGN UNITS INCH	THIRD ANGLE PROJECTION
		4 PLACES ± --- ± --- 3 PLACES ± --- ± --- 2 PLACES ± --- ± --- 1 PLACE ± --- ± --- 0 PLACE ± --- ± ---	mm INCH DRAWN BY: PGIBLIN DATE: 2005/10/03 CHECKED BY: [blank] DATE: [blank] APPROVED BY: [blank] DATE: [blank]	TITLE LC ADAPTER, LOW PROFILE			
MATERIAL NO. SEE TABLE	ANGULAR ±1/2° DRAFT WHERE APPLICABLE MUST REMAIN WITHIN DIMENSIONS		DOCUMENT NO. SD-106124-0000		THIS DRAWING CONTAINS INFORMATION THAT IS PROPRIETARY TO MOLEX INCORPORATED AND SHOULD NOT BE USED WITHOUT WRITTEN PERMISSION		

9 8 7 6 5 4 3 2 1