

## Excellent Integrated System Limited

Stocking Distributor

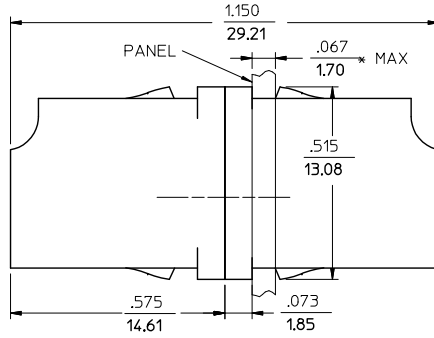
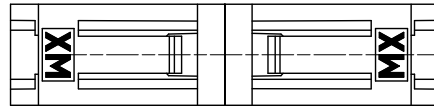
Click to view price, real time Inventory, Delivery & Lifecycle Information:

[Molex Connector Corporation](#)  
[1061241110](#)

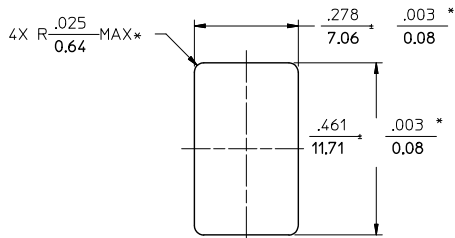
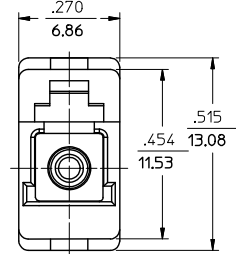
For any questions, you can email us directly:

[sales@integrated-circuit.com](mailto:sales@integrated-circuit.com)

ADAPTER P/N	COLOR	SPLIT SLEEVE MATERIAL
106124-1100	BLUE	ZIRCONIA - ZrO <sub>2</sub>
106124-0110	BEIGE	Ph. Bronze
106124-1150	GREEN	ZIRCONIA - ZrO <sub>2</sub>
106124-0100	BLUE	Ph. Bronze
106124-1110	BEIGE	ZIRCONIA - ZrO <sub>2</sub>
106124-1130	BLACK	ZIRCONIA - ZrO <sub>2</sub>



(DUST CAPS ARE NOT SHOWN)



RECOMMENDED PANEL CUTOUT  
 PANEL THICKNESS  $\frac{.067}{1.70}$  MAX.

NOTES:  
 1. ALL DIMENSIONS ARE FOR REFERENCE ONLY, EXCEPT WHEN MARKED WITH (\*).

ENTER DESCRIPTION E.C. NO: ME2013-0244 DRAWN/REV: 2012/10/29 CHKD: [blank] APPR: [blank]	QUALITY SYMBOLS ▽=0 ▽=0	GENERAL TOLERANCES (UNLESS SPECIFIED)		DIMENSION STYLE	SCALE	DESIGN UNITS	THIRD ANGLE PROJECTION	
			mm	INCH	IN/MM	1:1	INCH	
		4 PLACES	±	---	PGIBLIN	DATE	TITLE	
		3 PLACES	±	---	CHECKED BY	DATE	LC ADAPTER	
	2 PLACES	±	---	APPROVED BY	DATE			
	1 PLACE	±	---	MATERIAL NO.	DOCUMENT NO.			SHEET NO.
	0 PLACE	±	---	ANGULAR ±1/2°		SD-106124-X1X0	1 OF 1	
	DRAFT WHERE APPLICABLE MUST REMAIN WITHIN DIMENSIONS		SEE TABLE		THIS DRAWING CONTAINS INFORMATION THAT IS PROPRIETARY TO MOLEX INCORPORATED AND SHOULD NOT BE USED WITHOUT WRITTEN PERMISSION			