

## Excellent Integrated System Limited

Stocking Distributor

Click to view price, real time Inventory, Delivery & Lifecycle Information:

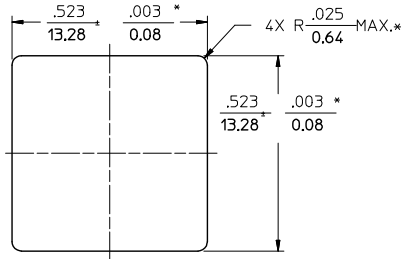
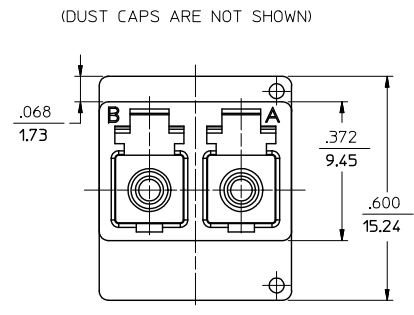
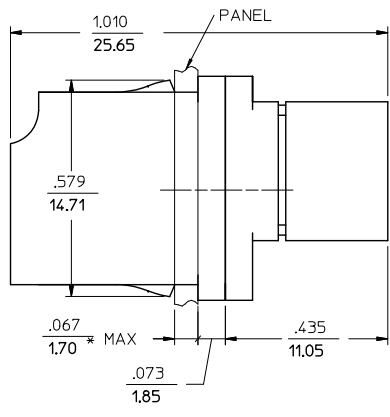
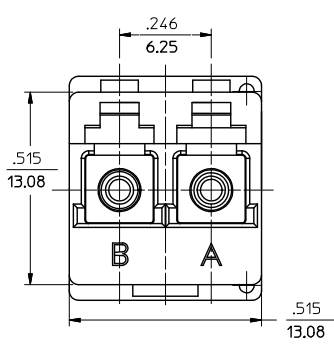
[Molex Connector Corporation](#)  
[1061250000](#)

For any questions, you can email us directly:

[sales@integrated-circuit.com](mailto:sales@integrated-circuit.com)

10 9 8 7 6 5 4 3 2 106125

ADAPTER P/N	COLOR	SPLIT SLEEVE MATERIAL
106125-1000	BLUE	ZIRCONIA - ZrO <sub>2</sub>
106125-0010	BEIGE	Ph. Bronze
106125-1050	GREEN	ZIRCONIA - ZrO <sub>2</sub>
106125-0000	BLUE	Ph. Bronze
106125-1010	BEIGE	ZIRCONIA - ZrO <sub>2</sub>
106125-1090	RED	ZIRCONIA - ZrO <sub>2</sub>
106125-1070 SEE NOTE 2	BLUE	ZIRCONIA - ZrO <sub>2</sub>



RECOMMENDED PANEL CUTOUT  
 PANEL THICKNESS  $\frac{.067}{1.70}$  MAX.

- NOTES:
- ALL DIMENSIONS ARE FOR REFERENCE ONLY, EXCEPT WHEN MARKED WITH (\*).
  - ADAPTERS 1061251070 ARE BULK PACKAGED 10 pcs PER BAG.

ENTER DESCRIPTION E.C. NO: ME2016-0779 DRAWN: YEDWAYAK CHKD: APPR: GUMIN 2015/09/16 2015/09/16 REV: A4	QUALITY SYMBOLS ▽=0 ▽=0	GENERAL TOLERANCES (UNLESS SPECIFIED) <table border="1"> <thead> <tr> <th></th> <th>mm</th> <th>INCH</th> </tr> </thead> <tbody> <tr> <td>4 PLACES</td> <td>± .005</td> <td>± .0004</td> </tr> <tr> <td>3 PLACES</td> <td>± .004</td> <td>± .0003</td> </tr> <tr> <td>2 PLACES</td> <td>± .003</td> <td>± .0002</td> </tr> <tr> <td>1 PLACE</td> <td>± .002</td> <td>± .0001</td> </tr> <tr> <td>0 PLACE</td> <td>± .001</td> <td>± .0000</td> </tr> </tbody> </table> ANGULAR ±1/2° DRAFT WHERE APPLICABLE MUST REMAIN WITHIN DIMENSIONS		mm	INCH	4 PLACES	± .005	± .0004	3 PLACES	± .004	± .0003	2 PLACES	± .003	± .0002	1 PLACE	± .002	± .0001	0 PLACE	± .001	± .0000	DIMENSION STYLE IN/MM DRAWN BY PGIBLIN DATE 2005/10/03 CHECKED BY DATE APPROVED BY DATE	SCALE 4:1 DESIGN UNITS INCH THIRD ANGLE PROJECTION	TITLE LC DUPLEX ADAPTER, LOW PROFILE MATERIAL NO. SEE TABLE DOCUMENT NO. SD-106125-X0X0 SHEET NO. 1 OF 1
		mm	INCH																				
	4 PLACES	± .005	± .0004																				
	3 PLACES	± .004	± .0003																				
2 PLACES	± .003	± .0002																					
1 PLACE	± .002	± .0001																					
0 PLACE	± .001	± .0000																					
<b>molex</b>																							
THIS DRAWING CONTAINS INFORMATION THAT IS PROPRIETARY TO MOLEX INCORPORATED AND SHOULD NOT BE USED WITHOUT WRITTEN PERMISSION																							
SIZE B																							

9 8 7 6 5 4 3 2 1