

Excellent Integrated System Limited

Stocking Distributor

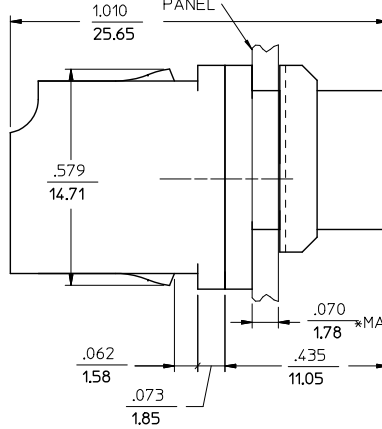
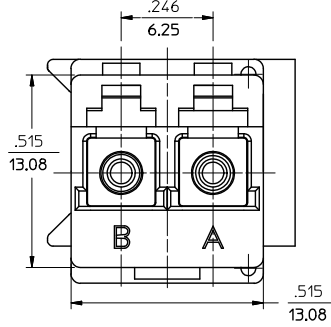
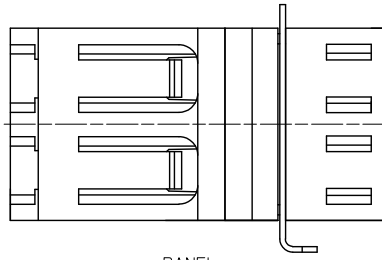
Click to view price, real time Inventory, Delivery & Lifecycle Information:

[Molex Connector Corporation](#)
[1061251210](#)

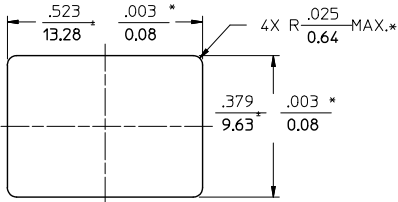
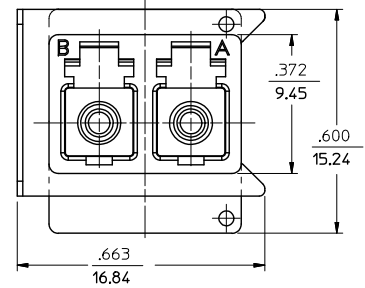
For any questions, you can email us directly:

sales@integrated-circuit.com

ADAPTER WITH RETAINER P/N	COLOR	SPLIT SLEEVE MATERIAL
106125-1200	BLUE	ZIRCONIA - ZrO ₂
106125-0210	BEIGE	Ph. Bronze
106125-1250	GREEN	ZIRCONIA - ZrO ₂
106125-0200	BLUE	Ph. Bronze
106125-1210	BEIGE	ZIRCONIA - ZrO ₂



(DUST CAPS ARE NOT SHOWN)



NOTES:
1. ALL DIMENSIONS ARE FOR REFERENCE ONLY, EXCEPT WHEN MARKED WITH (*).

RECOMMENDED PANEL CUTOUT
PANEL THICKNESS $\frac{.070}{1.78}$ MAX.

ENTER DESCRIPTION E.C. NO: ME2013-0244 DRAWN/REVISED: 2012/10/29 CHKD: [blank] APPR: [blank]	QUALITY SYMBOLS ▽=0 ▽=0	GENERAL TOLERANCES (UNLESS SPECIFIED)		DIMENSION STYLE	SCALE	DESIGN UNITS	THIRD ANGLE PROJECTION	
		mm	INCH	IN/MM	4:1	INCH		
A1	DESCRIPTION	4 PLACES	±	---	---	DRAWN BY: PGIBLIN	DATE: 2005/10/03	
		3 PLACES	±	---	---	CHECKED BY:	DATE:	
		2 PLACES	±	---	---	APPROVED BY:		DATE:
		1 PLACE	±	---	---	MATERIAL NO.:		DOCUMENT NO.:
		0 PLACE	±	---	---	SEE TABLE		SD-106125-X2X0
ANGULAR ±1/2° DRAFT WHERE APPLICABLE MUST REMAIN WITHIN DIMENSIONS				SHEET NO. 1 OF 1		THIS DRAWING CONTAINS INFORMATION THAT IS PROPRIETARY TO MOLEX INCORPORATED AND SHOULD NOT BE USED WITHOUT WRITTEN PERMISSION		