

## Excellent Integrated System Limited

Stocking Distributor

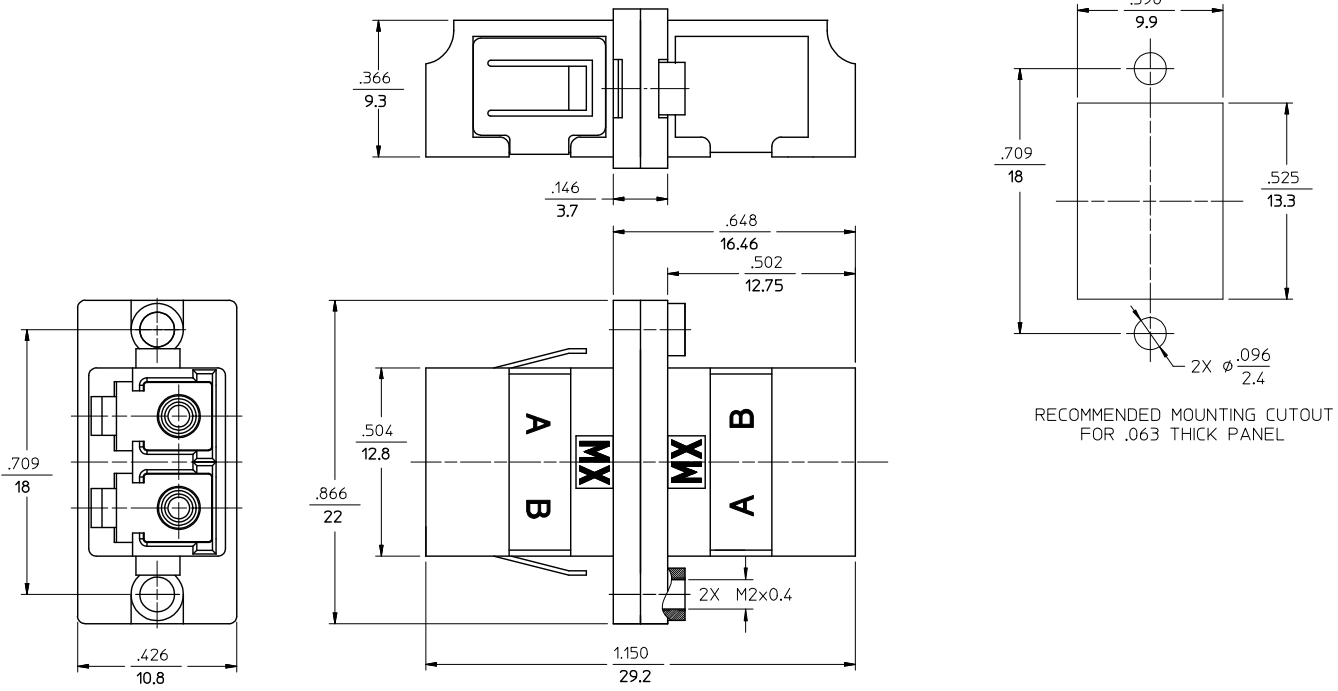
Click to view price, real time Inventory, Delivery & Lifecycle Information:

[Molex Connector Corporation](#)  
[1061260790](#)

For any questions, you can email us directly:

[sales@integrated-circuit.com](mailto:sales@integrated-circuit.com)

10 9 8 7 6 5 4 3 2 106126



NOTES:

1. ALL DIMENSIONS ARE FOR REFERENCE ONLY.
2. DUST CAPS NOT SHOWN.
3. SPLIT SLEEVE MATERIAL - PHOSPHOR BRONZE.
4. ADAPTERS TO BE PACKAGED IN TRAY.

ENTER DESCRIPTION E.C. NO: ME2009-0626 DRAWN: GUMIN 2009/05/21 CHKD: GUMIN 2009/05/21 APPR: GUMIN 2009/05/21 REV B1	QUALITY SYMBOLS ▽=0 ▽=2	GENERAL TOLERANCES (UNLESS SPECIFIED) mm INCH 4 PLACES ± --- ± --- 3 PLACES ± --- ± --- 2 PLACES ± --- ± --- 1 PLACE ± --- ± --- ANGULAR ±1/2°	DIMENSION STYLE IN/MM DRAWN BY DATE IGUMIN 2009/05/20 CHECKED BY DATE	SCALE 4:1 DESIGN UNITS INCH THIRD ANGLE PROJECTION
	DRAFT WHERE APPLICABLE MUST REMAIN WITHIN DIMENSIONS		APPROVED BY DATE IGUMIN 2009/05/20	TITLE METAL LC DUPLEX ADAPTER WITH SCREW MOUNT OPTION
	MATERIAL NO. 1061260790		DOCUMENT NO. SD-106126-0790	
	THIS DRAWING CONTAINS INFORMATION THAT IS PROPRIETARY TO MOLEX INCORPORATED AND SHOULD NOT BE USED WITHOUT WRITTEN PERMISSION			

9 8 7 6 5 4 3 2 1