

## Excellent Integrated System Limited

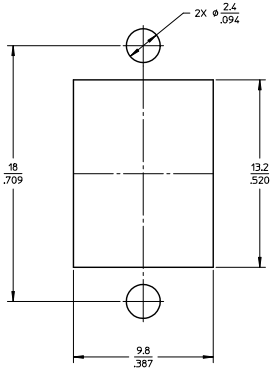
Stocking Distributor

Click to view price, real time Inventory, Delivery & Lifecycle Information:

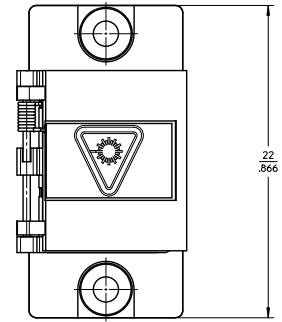
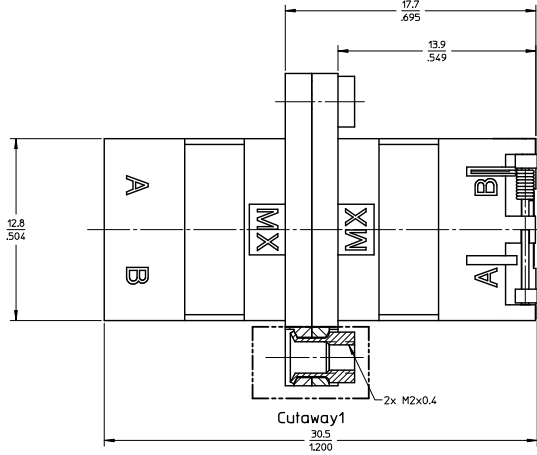
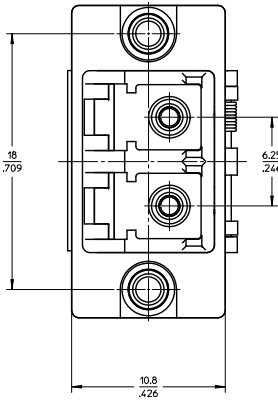
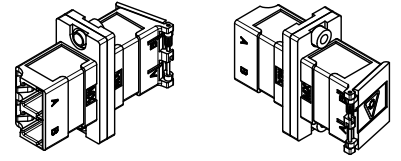
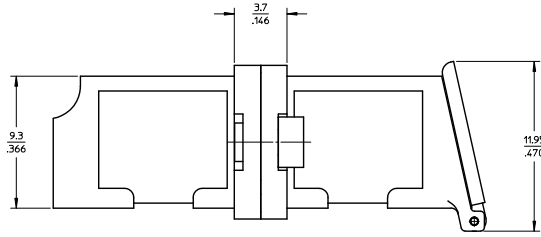
[Molex Connector Corporation](#)  
[1061271990](#)

For any questions, you can email us directly:

[sales@integrated-circuit.com](mailto:sales@integrated-circuit.com)



RECOMMENDED MOUNTING CUTOUT PANEL



NOTES:

1. ALL DIMENSIONS ARE FOR REFERENCE ONLY.
2. DUST CAP NOT SHOWN.
3. SPLIT SLEEVE MATERIAL: PHOSPHOR BRONZE.
4. ADAPTERS TO BE PACKAGED IN TRAY.

ENTER DESCRIPTION EC NO: MF-2010-0283 DRAWN BY: ZHANG YI CHECKED BY: CHIKO BANDREI APPROVED BY: APPIJAN BUREL DATE: 2010/08/19	QUALITY SYMBOLS ▽=0 ▽=0	GENERAL TOLERANCES (UNLESS SPECIFIED)		DIMENSION STYLE MM/IN		SCALE 5:1	DESIGN UNITS METRIC	THIRD ANGLE PROJECTION		
		4 PLACES ±	---	---	---	DRAWN BY SM	DATE 12/17/2009	TITLE METAL LC DUPLEX ADAPTER W/SHUTTER PHOSPHOR BRONZE SLEEVE		
		3 PLACES ±	---	---	---	CHECKED BY BA	DATE 12/18/2009			
		2 PLACES ±	---	---	---	APPROVED BY BA	DATE 2010/08/16	molex MOLEX INCORPORATED		
1 PLACE ±	---	---	---	ANGULAR ±1/2°		MATERIAL NO. 1061271990	DOCUMENT NO. SD-106127-1990	SHEET NO. 1 OF 1		
DRAFT WHERE APPLICABLE MUST REMAIN WITHIN DIMENSIONS				THIS DRAWING CONTAINS INFORMATION THAT IS PROPRIETARY TO MOLEX INCORPORATED AND SHOULD NOT BE USED WITHOUT WRITTEN PERMISSION						