

Excellent Integrated System Limited

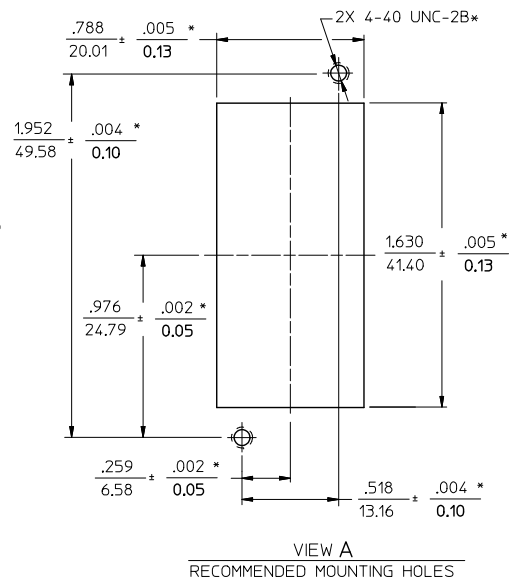
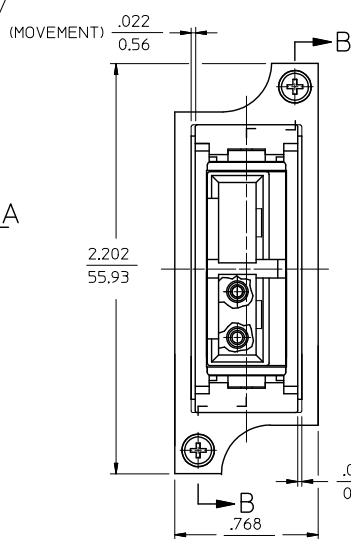
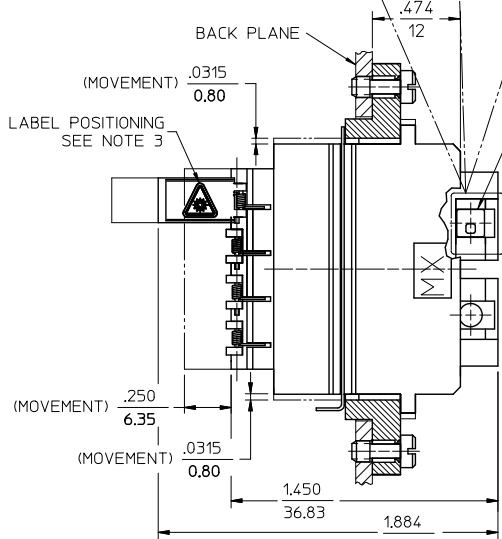
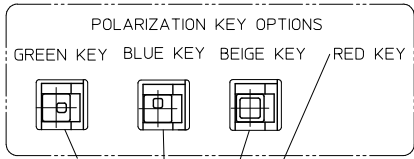
Stocking Distributor

Click to view price, real time Inventory, Delivery & Lifecycle Information:

[Molex Connector Corporation](#)
[1061441100](#)

For any questions, you can email us directly:
sales@integrated-circuit.com

BLC ADAPTER P/N	SPLIT SLEEVE MATERIAL	COLOR
106144-0100	Ph. Bronze	BLACK
106144-1100	Zr	GREEN
106144-1500		



- NOTES:
1. ALL DIM. ARE FOR REFERENCE ONLY, EXCEPT WHEN MARKED WITH (*).
 2. POLARIZATION KEYS AND LABELS ARE PACKED UNASSEMBLED WITH ADAPTER ASSEMBLY IN POLY BAG.
 3. ADHESIVE LABELS TO BE POSITIONED ON LC DOORS BY USER. THE ORIENTATION OF THE LABELS SHOULD BE SUCH THAT THE LASER WARNING SYMBOL IS EASILY IDENTIFIED.

ENTER DESCRIPTION EIC NO: ME2014-0607 DRAWN: YEDWAYAK 2014/04/21 CHKD: APPRACHEN 2014/04/25 REV B1	QUALITY SYMBOLS ▽=0 ▽=0	GENERAL TOLERANCES (UNLESS SPECIFIED) <table border="1"> <tr> <th></th> <th>mm</th> <th>INCH</th> </tr> <tr> <td>4 PLACES</td> <td>± .10</td> <td>± .004</td> </tr> <tr> <td>3 PLACES</td> <td>± .15</td> <td>± .005</td> </tr> <tr> <td>2 PLACES</td> <td>± .20</td> <td>± .008</td> </tr> <tr> <td>1 PLACE</td> <td>± .30</td> <td>± .012</td> </tr> </table>		mm	INCH	4 PLACES	± .10	± .004	3 PLACES	± .15	± .005	2 PLACES	± .20	± .008	1 PLACE	± .30	± .012	DIMENSION STYLE IN/MM DRAWN BY PGIBLIN DATE 2005/10/20 CHECKED BY DATE APPROVED BY DATE MATERIAL NO. SEE TABLE SIZE B	SCALE 2:1 DESIGN UNITS INCH THIRD ANGLE PROJECTION	TITLE BLC ADAPTER ASSEMBLY (4 POSITION)	MOLEX INCORPORATED DOCUMENT NO. SD-106144-XX00 SHEET NO. 1 OF 1
		mm	INCH																		
	4 PLACES	± .10	± .004																		
	3 PLACES	± .15	± .005																		
2 PLACES	± .20	± .008																			
1 PLACE	± .30	± .012																			
DRAFT WHERE APPLICABLE MUST REMAIN WITHIN DIMENSIONS		THIS DRAWING CONTAINS INFORMATION THAT IS PROPRIETARY TO MOLEX INCORPORATED AND SHOULD NOT BE USED WITHOUT WRITTEN PERMISSION																			