

Excellent Integrated System Limited

Stocking Distributor

Click to view price, real time Inventory, Delivery & Lifecycle Information:

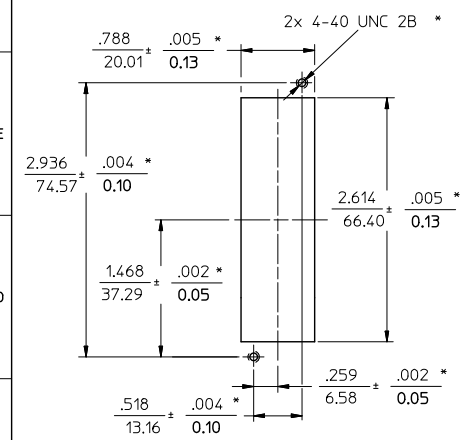
[Molex Connector Corporation](#)
[1061461100](#)

For any questions, you can email us directly:

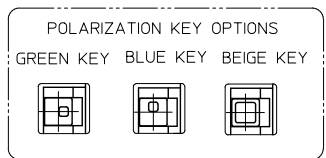
sales@integrated-circuit.com

106146

BLC ADAPTER P/N	SPLIT SLEEVE MATERIAL	COLOR
106146-0100	Ph. Bronze	BLACK
106146-1100	Zr	GREEN
106146-1500		GREEN

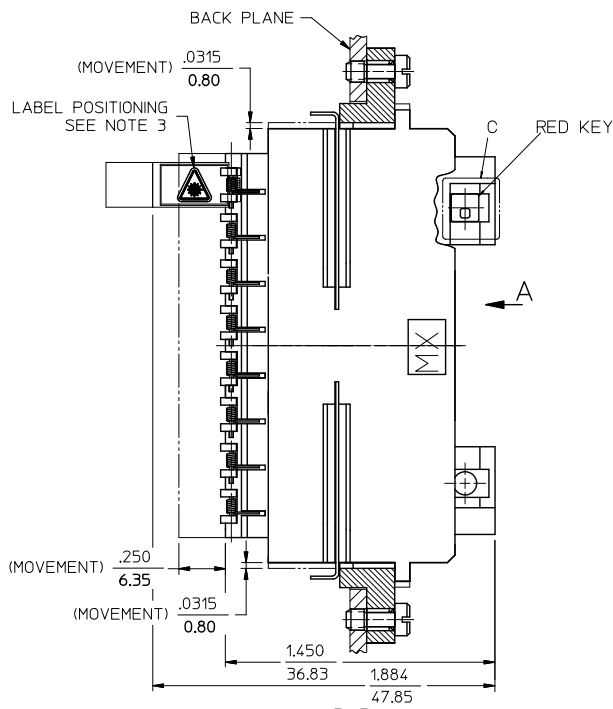


VIEW A
RECOMMENDED MOUNTING HOLES
SCALE: 1:1

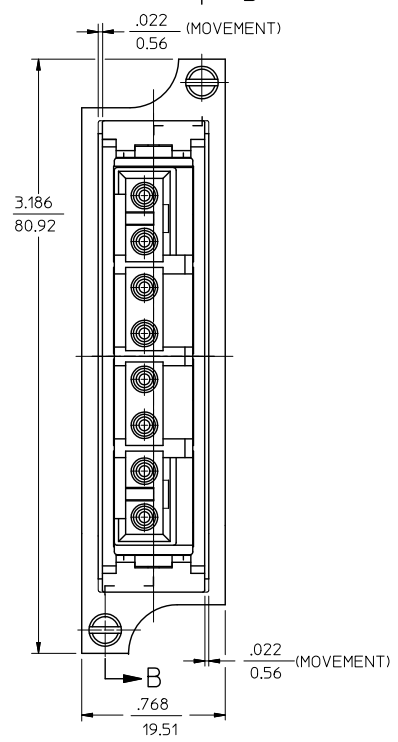


DETAIL C

- NOTES:
- ALL DIM. ARE FOR REFERENCE ONLY, EXCEPT WHEN MARKED WITH (*).
 - POLARIZATION KEYS AND LABELS ARE PACKED UNASSEMBLED WITH ADAPTER ASSEMBLY IN POLY BAG.
 - ADHESIVE LABELS TO BE POSITIONED ON LC DOORS BY USER. THE ORIENTATION OF THE LABELS SHOULD BE SUCH THAT THE LASER WARNING SYMBOL IS EASILY IDENTIFIED.



SECTION B-B



ENTER DESCRIPTION E.C. NO: ME2011-0528 DRAWN/REVISED: 2011/06/02 CHKD: GWK/REVZNER APPR: GUM/IN 2011/06/03	QUALITY SYMBOLS ▽=0 ▽=0	GENERAL TOLERANCES (UNLESS SPECIFIED)		DIMENSION STYLE IN/MM	SCALE 2:1	DESIGN UNITS INCH	THIRD ANGLE PROJECTION		
		4 PLACES ± --- ± --- 3 PLACES ± --- ± --- 2 PLACES ± --- ± --- 1 PLACE ± --- ± ---	mm INCH	DRAWN BY PGIBLIN	DATE 2005/10/21	TITLE BLC ADAPTER ASSEMBLY (8 POSITION)			
		ANGULAR ±1/2°		CHECKED BY DATE	APPROVED BY DATE	MATERIAL NO. SEE TABLE			
		DRAFT WHERE APPLICABLE MUST REMAIN WITHIN DIMENSIONS		MATERIAL NO. SEE TABLE		DOCUMENT NO. SD-106146-XX00	SHEET NO. 1 OF 1		