

## **Excellent Integrated System Limited**

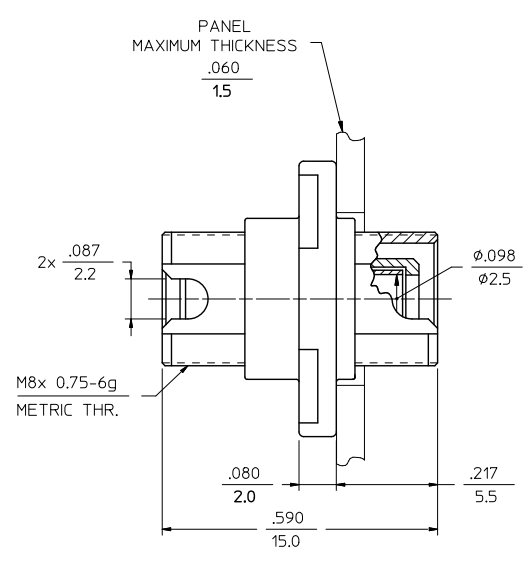
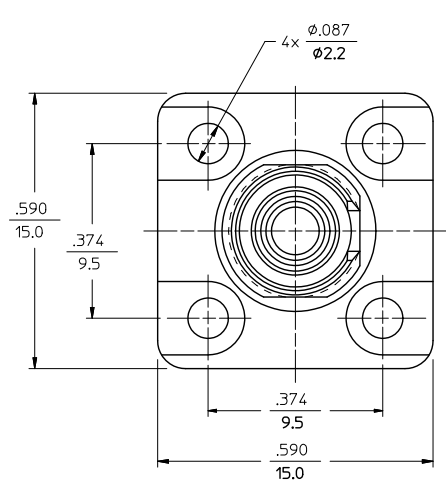
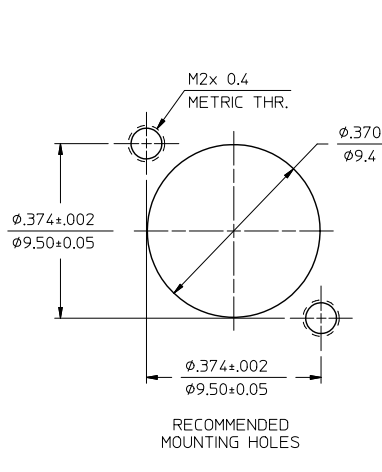
Stocking Distributor

Click to view price, real time Inventory, Delivery & Lifecycle Information:

[Molex Connector Corporation](#)  
[1061560100](#)

For any questions, you can email us directly:  
[sales@integrated-circuit.com](mailto:sales@integrated-circuit.com)

10	9	8	7	6	5	4	3	2	1
P/N OF ADAPTER	MATERIAL OF SLEEVE	APPLICATION							
106152-0100	ZR	SM & MM							
106156-0100	PHOSPHOR BRONZE	SM & MM							



NOTE:  
1. DUST CAPS ARE NOT SHOWN, BUT ARE INCLUDED.

<b>ENTER DESCRIPTION</b> E.C. NO: ME2010-0379 DRAWN BY: JGUMIN CHKD: JGUMIN APPR: JGUMIN DATE: 2010/03/05 DATE: 2010/03/05 DATE: 2010/04/05	<b>QUALITY SYMBOLS</b> ▽=0 ▽=0	<b>GENERAL TOLERANCES (UNLESS SPECIFIED)</b> <table border="1"> <thead> <tr> <th></th> <th>mm</th> <th>INCH</th> </tr> </thead> <tbody> <tr> <td>4 PLACES</td> <td>± .005</td> <td>± .0002</td> </tr> <tr> <td>3 PLACES</td> <td>± .005</td> <td>± .0002</td> </tr> <tr> <td>2 PLACES</td> <td>± .005</td> <td>± .0002</td> </tr> <tr> <td>1 PLACE</td> <td>± .005</td> <td>± .0002</td> </tr> </tbody> </table>		mm	INCH	4 PLACES	± .005	± .0002	3 PLACES	± .005	± .0002	2 PLACES	± .005	± .0002	1 PLACE	± .005	± .0002	<b>DIMENSION STYLE</b> IN/MM	<b>SCALE</b> 1:1	<b>DESIGN UNITS</b> INCH	THIRD ANGLE PROJECTION
		mm	INCH																		
	4 PLACES	± .005	± .0002																		
	3 PLACES	± .005	± .0002																		
2 PLACES	± .005	± .0002																			
1 PLACE	± .005	± .0002																			
<b>APPROVED BY</b> JGUMIN	<b>DATE</b> 2010/03/05	<b>TITLE</b> FC ADAPTER (SQUARE FLANGE)		<b>MOLEX INCORPORATED</b>																	
<b>MATERIAL NO.</b> SEE TABLE	<b>DOCUMENT NO.</b> SD-10615X-0100	<b>SHEET NO.</b> 1 OF 01		<b>THIS DRAWING CONTAINS INFORMATION THAT IS PROPRIETARY TO MOLEX INCORPORATED AND SHOULD NOT BE USED WITHOUT WRITTEN PERMISSION</b>																	
<b>SIZE</b> B																					