

## **Excellent Integrated System Limited**

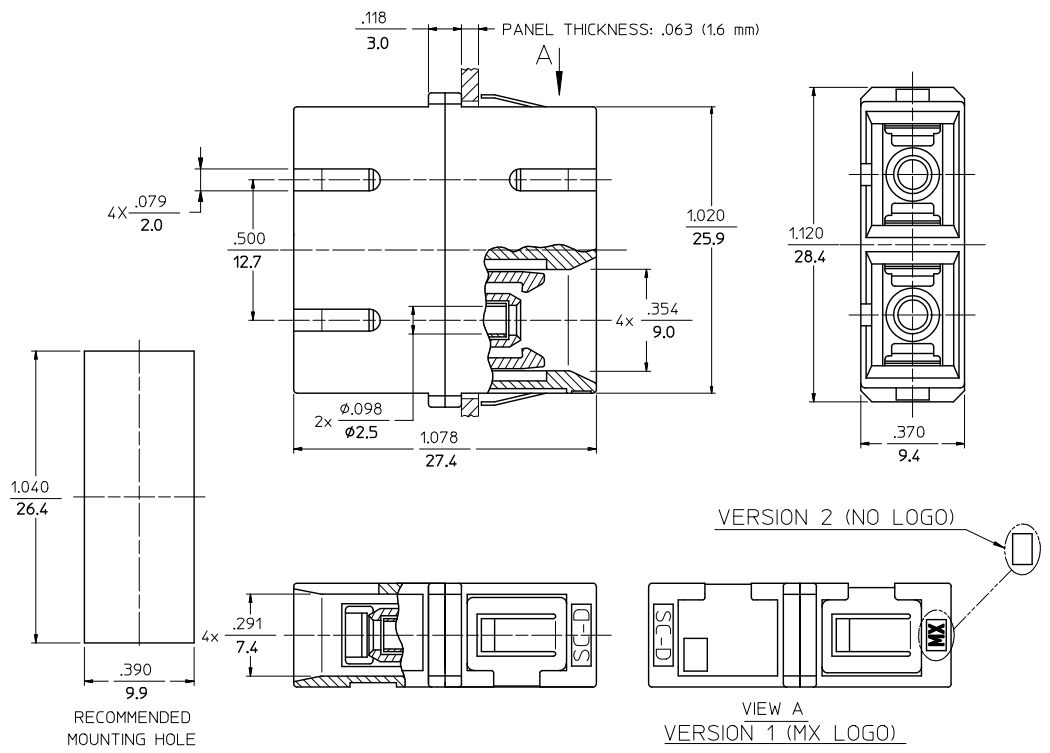
Stocking Distributor

Click to view price, real time Inventory, Delivery & Lifecycle Information:

[Molex Connector Corporation](#)  
[1061660100](#)

For any questions, you can email us directly:  
[sales@integrated-circuit.com](mailto:sales@integrated-circuit.com)

10	9	8	7	6	5	4	3	2	106166
P/N OF ADAPTER	MATERIAL OF SLEEVE	TYPE	COLOR	LOGO					
106166-0100	Zr	SINGLE MODE	BLUE	MX					
106166-0103	Zr								
106166-0120	Zr								
106167-0100	PHOSPHOR BRONZE	MULTIMODE	BEIGE						
*106167-0185									
106166-0110	Zr	MULTIMODE	AQUA						
106167-0110	PHOSPHOR BRONZE		BLACK						
106167-0180	Zr		RED						
106167-0130	PHOSPHOR BRONZE	SINGLE MODE	RED						
106166-0140	Zr								
106167-0140	PHOSPHOR BRONZE	APC	GREEN						
106166-0150	Zr								
106166-0152	Zr								
*106166-0191	PHOSPHOR BRONZE	SINGLE MODE	BLUE	NONE					
106167-0150									
*106166-0185	Zr	SINGLE MODE	BLUE						
*106166-0190	Zr	SINGLE MODE	AQUA						
*106167-9110	PHOSPHOR BRONZE	MULTIMODE	BEIGE						
*106167-0190					MX				
*106167-0200			NONE						



NOTES:  
 1. P/NS STARTING WITH THE (\*) ARE BULK PACKED IN QUANTITIES OF 100pcs.  
 2. DUST CAPS ARE NOT SHOWN BUT INCLUDED.

ENTER DESCRIPTION EC NO: MF2010-0028 DRAWN BY: ZNER 2009/07/23 CHKD: GUMIN 2009/07/23 APPR: GUMIN 2009/07/23 REV: C1	QUALITY SYMBOLS	GENERAL TOLERANCES (UNLESS SPECIFIED)	DIMENSION STYLE	SCALE	DESIGN UNITS	THIRD ANGLE PROJECTION	
	▽=0 ▽=0	mm INCH 4 PLACES ± --- ± --- 3 PLACES ± --- ± --- 2 PLACES ± --- ± --- 1 PLACE ± --- ± --- ANGULAR ±1/2°	IN/MM	1:1	INCH		
		DRAFT WHERE APPLICABLE MUST REMAIN WITHIN DIMENSIONS	DRAWN BY: PGIBLIN CHECKED BY: DATE APPROVED BY: DATE	DATE	DATE	TITLE	
			MATERIAL NO. SEE TABLE	DATE	DATE	MOLEX INCORPORATED	