

## Excellent Integrated System Limited

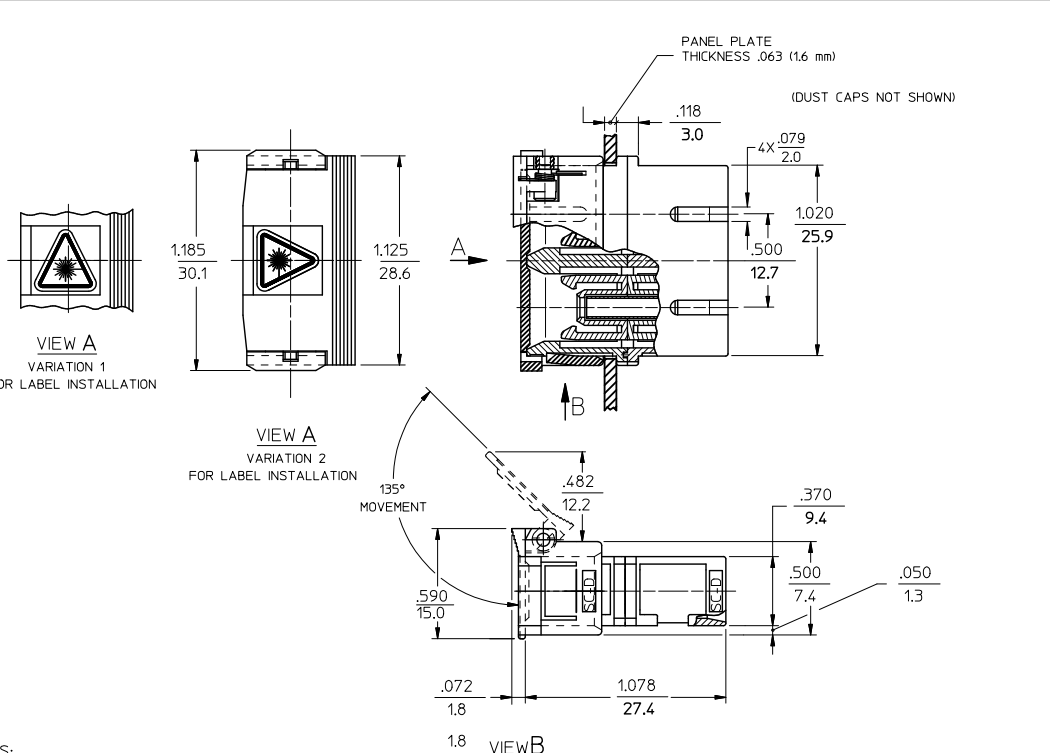
Stocking Distributor

Click to view price, real time Inventory, Delivery & Lifecycle Information:

[Molex Connector Corporation](#)  
[1061670610](#)

For any questions, you can email us directly:  
[sales@integrated-circuit.com](mailto:sales@integrated-circuit.com)

10 9 8 7 6 5 4 3 2 1



P/N OF ADAPTER	MATERIAL OF SLEEVE	TYPE	COLOR
106166-0600	ZR	SINGLE MODE	BLUE
106167-0600	PHOSPHOR BRONZE	MULTIMODE	BEIGE
106166-0610	ZR		BLACK
106167-0610	PHOSPHOR BRONZE		GREEN
106166-0630	ZR	APC	AQUA
106166-0650	PHOSPHOR BRONZE		

NOTES:

- LABEL MUST BE INSTALLED AND ORIENTED BY CUSTOMER. (SEE VIEW A)
- DUST CAPS AND MOUNTING PLATE ARE NOT SHOWN BUT INCLUDED. MOUNTING PLATE IS PACKED WITH ADAPTER AND INSTALLED BY A CUSTOMER.

ENTER DESCRIPTION EC NO: MF2011-0258 DRAWN BY: KPEVZNER CHKD: WCHEN APPROV: WCHEN 2010/12/08 2010/12/09	QUALITY SYMBOLS ▽=0 ▽=0	GENERAL TOLERANCES (UNLESS SPECIFIED)		DIMENSION STYLE		SCALE	DESIGN UNITS	THIRD ANGLE PROJECTION	
				IN/MM		4:1	INCH		
		4 PLACES	±	---	±	---	DRAWN BY	DATE	TITLE
		3 PLACES	±	---	±	---	KPEVZNER	2010/09/30	SC DUPLEX ADAPTER WITH SHIELD
2 PLACES	±	---	±	---	CHECKED BY	DATE			
1 PLACE	±	---	±	---	APPROVED BY	DATE			
		ANGULAR ±1/2°		MATERIAL NO.		DOCUMENT NO.		SHEET NO.	
DRAFT WHERE APPLICABLE MUST REMAIN WITHIN DIMENSIONS		SEE TABLE		WCHEN		2010/12/09		1 OF 1	
		SIZE B		THIS DRAWING CONTAINS INFORMATION THAT IS PROPRIETARY TO MOLEX INCORPORATED AND SHOULD NOT BE USED WITHOUT WRITTEN PERMISSION					

9 8 7 6 5 4 3 2 1