

## **Excellent Integrated System Limited**

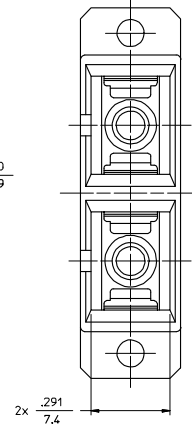
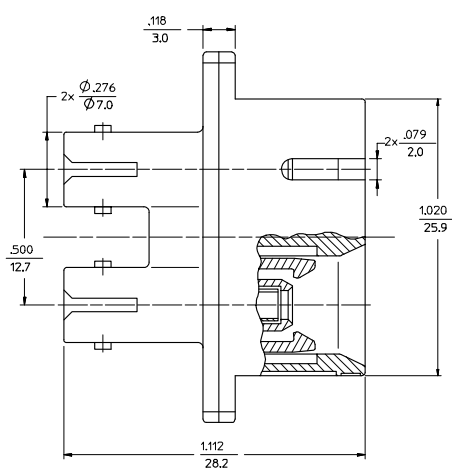
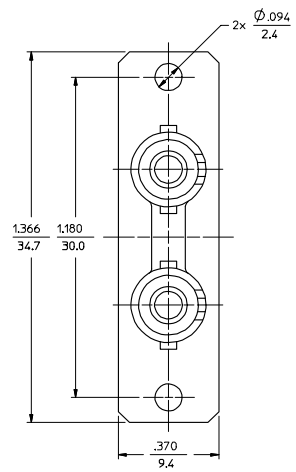
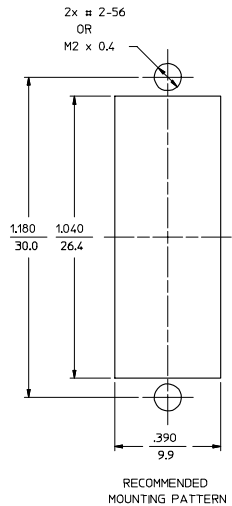
Stocking Distributor

Click to view price, real time Inventory, Delivery & Lifecycle Information:

[Molex Connector Corporation](#)  
[1061671010](#)

For any questions, you can email us directly:  
[sales@integrated-circuit.com](mailto:sales@integrated-circuit.com)

| P/N OF ADAPTER | MATERIAL OF SLEEVE | TYPE        | COLOR |
|----------------|--------------------|-------------|-------|
| 106166-1000    | ZR                 | SINGLE MODE | BLUE  |
| 106167-1000    | PHOSPHOR BRONZE    | SINGLE MODE | BLUE  |
| 106166-1010    | ZR                 | MULTIMODE   | BEIGE |
| 106167-1010    | PHOSPHOR BRONZE    | MULTIMODE   | BEIGE |
| 106166-1030    | ZR                 | MULTIMODE   | BLACK |
| 106167-1030    | PHOSPHOR BRONZE    | MULTIMODE   | BLACK |



NOTE:  
DUST CAPS ARE NOT SHOWN BUT INCLUDED.

|  |                               |   |  |   |                                 |                      |                        |
|--|-------------------------------|---|--|---|---------------------------------|----------------------|------------------------|
| ENTER DESCRIPTION<br>IEC NO: MF-2006-0237<br>DRAWN BY: BLN<br>CHKD: BLN<br>APPR: IGMIN<br>DATE: 2005/11/29<br>DATE: 2005/11/29<br>DATE: 2005/11/29 | QUALITY SYMBOLS<br>▽=0<br>▽=0 | GENERAL TOLERANCES (UNLESS SPECIFIED)   |  | DIMENSION STYLE<br>IN/MM  | SCALE<br>4:1                    | DESIGN UNITS<br>INCH | THIRD ANGLE PROJECTION |
|  |                               | 4 PLACES ± --- ± ---<br>3 PLACES ± --- ± ---<br>2 PLACES ± --- ± ---<br>1 PLACE ± --- ± --- | mm<br>INCH   | DRAWN BY: RPACIFIC I<br>DATE: 2005/10/11  | TITLE: DUPLEX ADAPTER (SC-D/ST) |                      |                        |
|  |                               | ANGULAR ±1/2°   | CHECKED BY: [ ]<br>DATE: [ ]   | APPROVED BY: [ ]<br>DATE: [ ]   | MOLEX INCORPORATED              |                      |                        |
|  |                               | DRAFT WHERE APPLICABLE MUST REMAIN WITHIN DIMENSIONS  | MATERIAL NO. SEE TABLE<br>DOCUMENT NO. SD-10616X-10X0<br>SHEET NO. 1 OF 01 | THIS DRAWING CONTAINS INFORMATION THAT IS PROPRIETARY TO MOLEX INCORPORATED AND SHOULD NOT BE USED WITHOUT WRITTEN PERMISSION |                                 |                      |                        |