

Excellent Integrated System Limited

Stocking Distributor

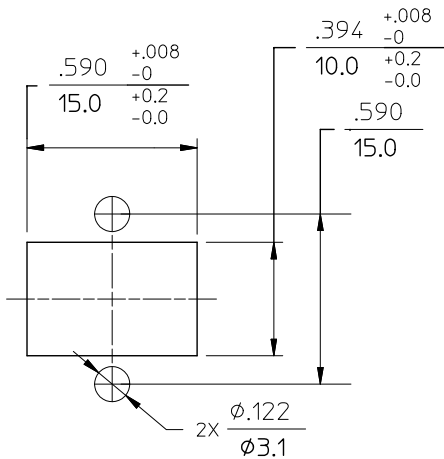
Click to view price, real time Inventory, Delivery & Lifecycle Information:

[Molex Connector Corporation](#)
[1061810006](#)

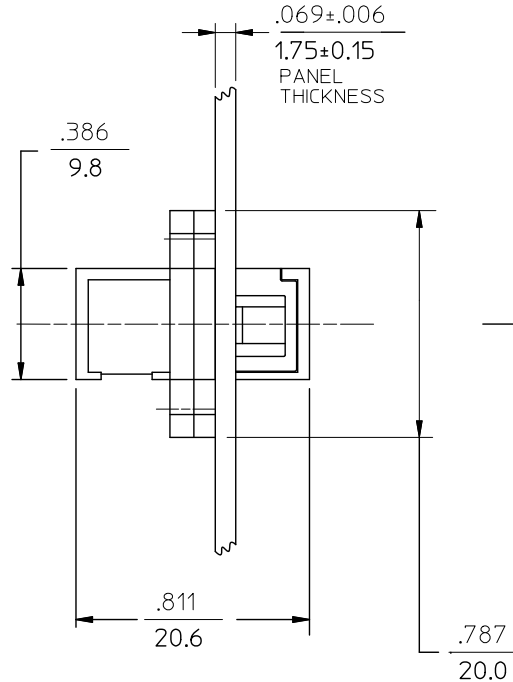
For any questions, you can email us directly:

sales@integrated-circuit.com

KEY ORIENTATION	OPPOSED
-----------------	---------



RECOMMENDED MOUNTING HOLE PATTERN



NOTE:

DUST CAPS ARE NOT SHOWN, BUT INCLUDED.

ENTER DESCRIPTION EC NO: ME2012-0454 DRAWN: YBEDNYAK 2012/03/20 CHKD: APPR: IGUMIN 2012/03/23 DESCRIPTION REV A1	QUALITY SYMBOLS ▽=0 ▽=0	GENERAL TOLERANCES (UNLESS SPECIFIED) <table border="1"> <thead> <tr> <th></th> <th>mm</th> <th>INCH</th> </tr> </thead> <tbody> <tr> <td>4 PLACES</td> <td>± ---</td> <td>± ---</td> </tr> <tr> <td>3 PLACES</td> <td>± ---</td> <td>± ---</td> </tr> <tr> <td>2 PLACES</td> <td>± ---</td> <td>± ---</td> </tr> <tr> <td>1 PLACE</td> <td>± ---</td> <td>± ---</td> </tr> </tbody> </table> ANGULAR ±1/2° DRAFT WHERE APPLICABLE MUST REMAIN WITHIN DIMENSIONS		mm	INCH	4 PLACES	± ---	± ---	3 PLACES	± ---	± ---	2 PLACES	± ---	± ---	1 PLACE	± ---	± ---	DIMENSION STYLE IN/MM DRAWN BY KP DATE 2006/07/10 CHECKED BY DATE APPROVED BY ILG DATE 2006/07/10 MATERIAL NO. 1061810006 SIZE A	SCALE 2:1 DESIGN UNITS INCH THIRD ANGLE PROJECTION TITLE MTP ROTATED FLANGE ADAPTER MOLEX INCORPORATED DOCUMENT NO. SD-106181-0006 SHEET NO. 1 OF 1
		mm	INCH																
	4 PLACES	± ---	± ---																
	3 PLACES	± ---	± ---																
2 PLACES	± ---	± ---																	
1 PLACE	± ---	± ---																	