

Excellent Integrated System Limited

Stocking Distributor

Click to view price, real time Inventory, Delivery & Lifecycle Information:

[Molex Connector Corporation](#)
[5009130242](#)

For any questions, you can email us directly:

sales@integrated-circuit.com

10 9 8 7 6 5 4 3 2 1

注記 NOTES

1. 使用材料 MATERIAL

ハウジング : 液晶ポリマー (LCP) UL94V-0 (黒)
HOUSING: LIQUID CRYSTAL POLYMER UL94V-0 (COLOR: BLACK)
ターミナル : リン青銅
TERMINAL : PHOSPHOR BRONZE
補強金具 : リン青銅
FITTING NAIL : PHOSPHOR BRONZE

2. メッキ仕様 PLATING

ターミナル TERMINAL
コンタクト部 : 部分めっき (0.2μm以上)
CONTACT AREA : SEPARATED GOLD PLATING (0.2 MICROMETER MINIMUM)
テル部 : 部分めっき
SOLDER TAIL AREA : SEPARATED GOLD PLATING
下地 : ニッケルめっき (1.5μm以上)
UNDERPLATE : NICKEL OVERALL (1.5 MICROMETER MINIMUM)
※コンタクト部とテル部はニッケルメッキによって分断されている金メッキです。
DIVIDE INTO PARTS THE GOLD PLATING OF THE CONTACT AND THE TAIL PART BY THE NICKEL PLATING.

補強金具 FITTING NAIL

テル部 : 錫メッキ (1.0μm以上)
SOLDER TAIL AREA : TIN PLATING (1.0 MICROMETER MINIMUM)
下地 : ニッケルめっき (1.0μm以上)
UNDERPLATE : NICKEL OVERALL (1.0 MICROMETER MINIMUM)

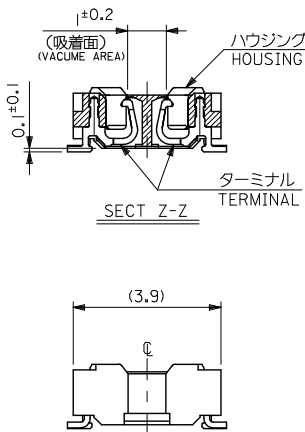
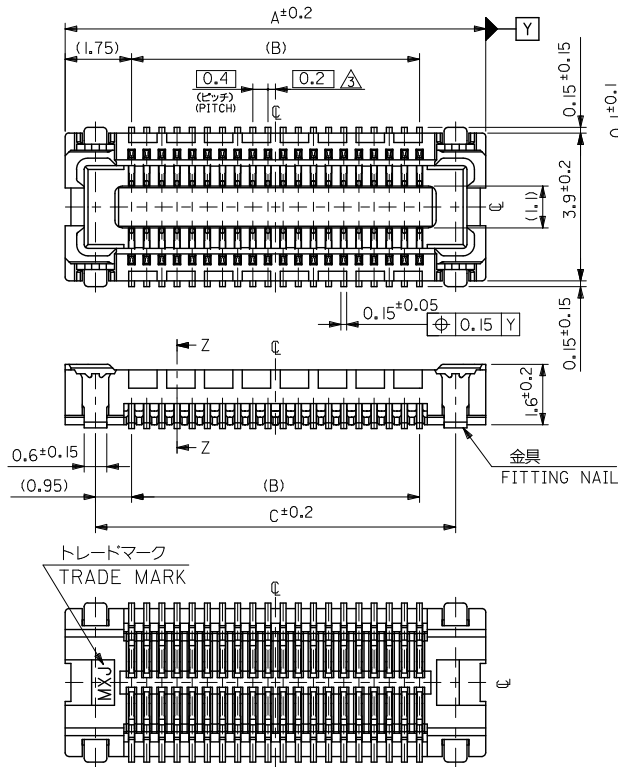
△ (全極数/2) = 偶数の場合に適用。
APPLY FOR (CIRCUIT/2) = EVEN.

4. 嵌合相手 : 55909 シリーズ

MATE WITH : 55909 SERIES.

5. テール及び金具の平坦度は、0.1以下
TAIL AND FITTING NAIL COPLANARITY TO BE 0.1 MAXIMUM.

6. ELV & RoSH適合品
ELV and RoSH COMPLIANT



21.5	19.6	23.1	500913-1002	100
19.5	17.6	21.1	500913-0902	90
15.5	13.6	17.1	500913-0702	70
13.5	11.6	15.1	500913-0602	60
11.5	9.6	13.1	500913-0502	50
9.5	7.6	11.1	500913-0402	40
7.5	5.6	9.1	500913-0302	30
6.3	4.4	7.9	500913-0242	24

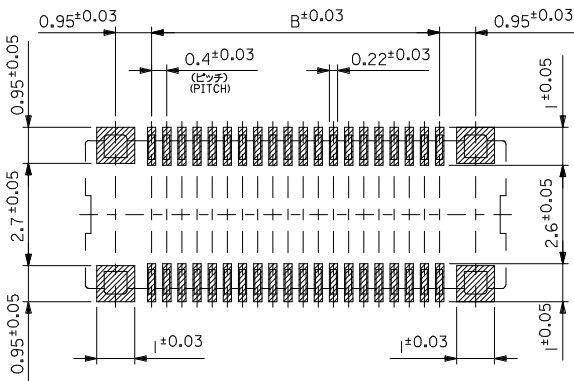
C	B	A	EMBOSSED TAPE PACKAGE	極数
			オーダー番号 ORDER NO.	CIRCUIT

CONNECTOR SERIES No. : 500913-****8

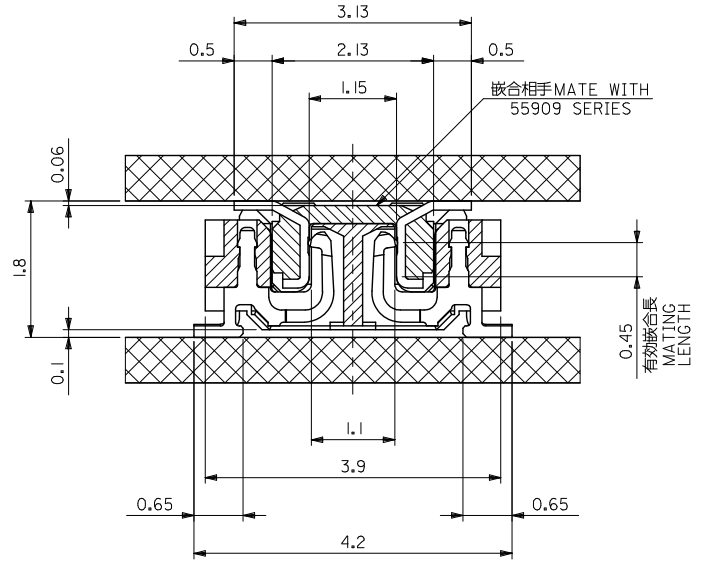
REVISED EC NO. J2015-0494 DRAWN MATTO 2014/10/10 CHKD: TASHIKAWA 2014/10/10 APPR: MORIKAWA 2014/10/10	GENERAL TOLERANCES (UNLESS SPECIFIED)		DIMENSION STYLE MM ONLY		SCALE 10:1	DESIGN UNITS METRIC	THIRD ANGLE PROJECTION
	10 UNDER	±---	DRAWN BY R. SUMIYA	DATE 2004/04/19	TITLE 0.4 B-TO-B CONN REC HSG ASSY (HGT=1.8MM) -LEAD FREE- molex		
	10 OVER 30 UNDER	±---	CHECKED BY M. SASAO	DATE 2004/04/19			
	30 OVER	±---	APPROVED BY M. SASAO	DATE 2004/04/19			
	ANGULAR	±---°	MATERIAL NO.		DOCUMENT NO.	SHEET NO. 1 OF 2	
DRAFT WHERE APPLICABLE MUST REMAIN WITHIN DIMENSIONS		SEE CHART		SD-500913-001		INCORPORATED AND SHOULD NOT BE USED WITHOUT WRITTEN PERMISSION	

9 8 7 6 5 4 3 2

10 9 8 7 6 5 4 3 2 1



参考基板レイアウト (マウント面)
P.C. BOARD PATTERN DIMENSION (REFERENCE)
(MOUNTING AREA)



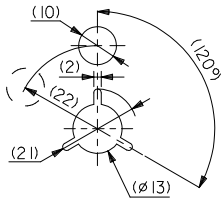
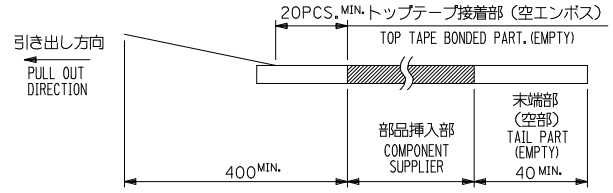
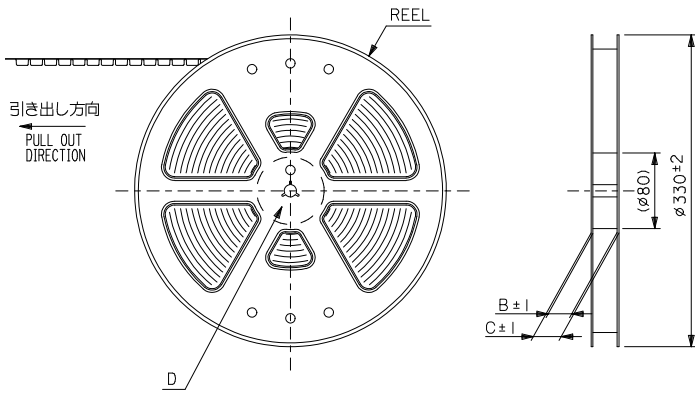
嵌合断面図 (参考)
MATED DRAWING (REFERENCE)

REVISED EC NO: J2015-0494 DRAWN BY: T. DRUMNATTO 2014/10/10 CHKD: T. SAKAWA 2014/10/10 APPR: K. MORIKAWA 2014/10/10	GENERAL TOLERANCES (UNLESS SPECIFIED)		DIMENSION STYLE MM ONLY		SCALE ---	DESIGN UNITS METRIC	THIRD ANGLE PROJECTION
	10 UNDER	± ---	DRAWN BY R. SUMIYA	DATE 2004/04/19	TITLE 0.4 B-TO-B CONN REC HSG ASSY (HGT=1.8MM) -LEAD FREE-		
	10 OVER 30 UNDER	± ---	CHECKED BY M. SASAO	DATE 2004/04/19			
	30 OVER	± ---	APPROVED BY M. SASAO	DATE 2004/04/19			
ANGULAR	± --- °	DRAFT WHERE APPLICABLE MUST REMAIN WITHIN DIMENSIONS		MATERIAL NO. SEE SHEET 1	DOCUMENT NO. SD-500913-001	SHEET NO. 2 OF 2	
SIZE $\frac{A}{3}$ THIS DRAWING CONTAINS INFORMATION THAT IS PROPRIETARY TO MOLEX INCORPORATED AND SHOULD NOT BE USED WITHOUT WRITTEN PERMISSION							

9 8 7 6 5 4 3 2

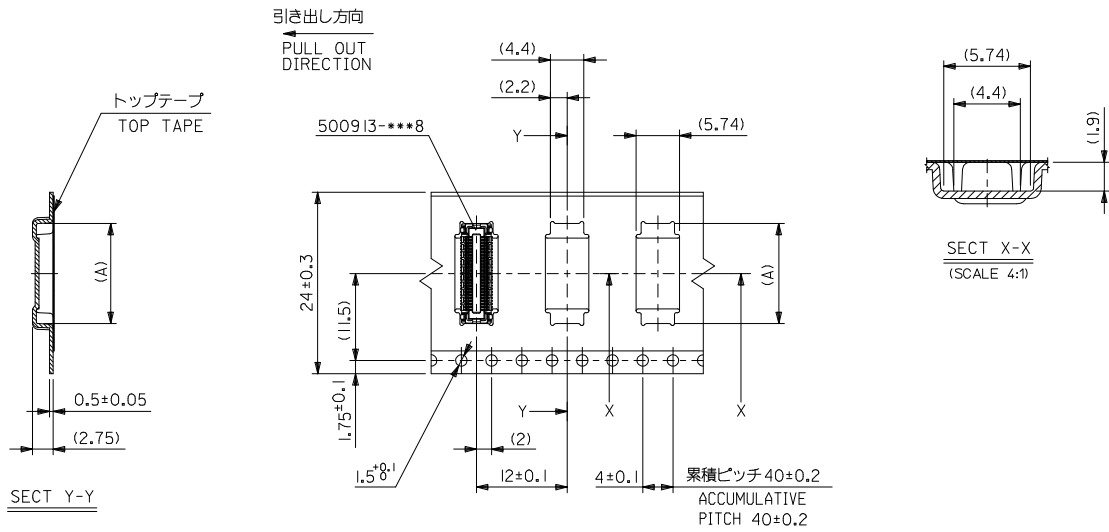
NOTES

- 製品詳細寸法については製品単体図面SD-500913-001を参照下さい。
RE DETAILED DIMENSION, SEE PRODUCT DRAWING NO. SD-500913-001.
- 梱包数量: 1500個/リール
NUMBER OF CONNECTORS : 1500PCS/REEL
- リードテープ長さ LEAD TAPE LENGTH
20PCS. MIN. トップテープ接着部 (空エンボス)
TOP TAPE BONDED PART. (EMPTY)
部品挿入部 COMPONENT SUPPLIER
末端部 (空部) TAIL PART (EMPTY)
400 MIN. 40 MIN.
- 材料 MATERIAL
キャリアテープ (CARRIER TAPE): ポリプロピレン (POLYPROPYLENE)
トップテープ (TOPTAPE): PET, PE, PEF
リール (REEL): ポリスチレン (PS) <リサイクル材を含む>
POLYSTYRENE (PS) <RECYCLE MATERIAL CONTAINED>



DETAIL D

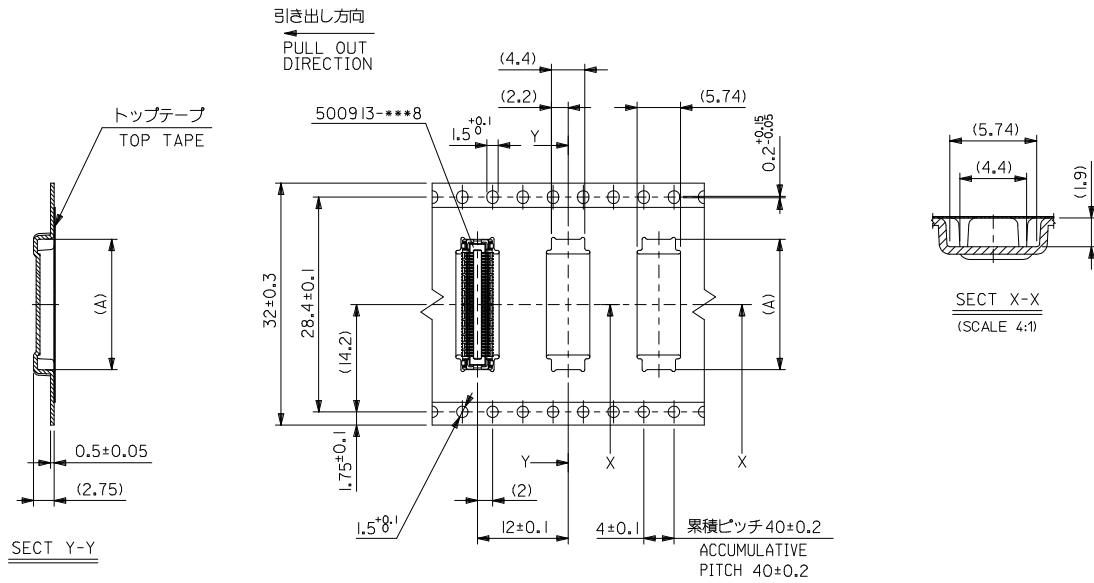
REVISED EC NO: J2007-1419 DRAWN: NABE CHKD: KYODA APP: INUKITA	DESCRIPTION 2006/11/16 2006/11/20 2006/11/21	GENERAL TOLERANCES (UNLESS SPECIFIED)		DIMENSION STYLE MM ONLY		500913-***2		MODEL NO.		
		10 UNDER	± ---	DRAWN BY R. SUMIYA	DATE 2004/04/19	SCALE ---	DESIGN UNITS METRIC	THIRD ANGLE PROJECTION		
		10 OVER 30 UNDER	± ---	CHECKED BY M. SASAO	DATE 2004/04/19	TITLE 0.4 B-TO-B REC HSG ASSY (HGT=1.8) EMBSTP PKG -LEAD FREE-				
		30 OVER	± ---	APPROVED BY M. SASAO	DATE 2004/04/19	MOLEX INCORPORATED				
ANGULAR ± --- °		DRAFT WHERE APPLICABLE MUST REMAIN WITHIN DIMENSIONS		MATERIAL NO. SEE CHART		DOCUMENT NO. SD-500913-002		SHEET NO. 1 OF 4		
THIS DRAWING CONTAINS INFORMATION THAT IS PROPRIETARY TO MOLEX INCORPORATED AND SHOULD NOT BE USED WITHOUT WRITTEN PERMISSION										



24mm幅キャリアテープ
24mm WIDTH CARRIER TAPE

24	29.4	25.4	15.26	500913-0602	60
			13.26	500913-0502	50
			11.26	500913-0402	40
			9.26	500913-0302	30
			8.06	500913-0242	24
キャリアテープ幅 CARRIER TAPE WIDTH	C	B	(A)	MATERIAL NO.	CIRCUIT

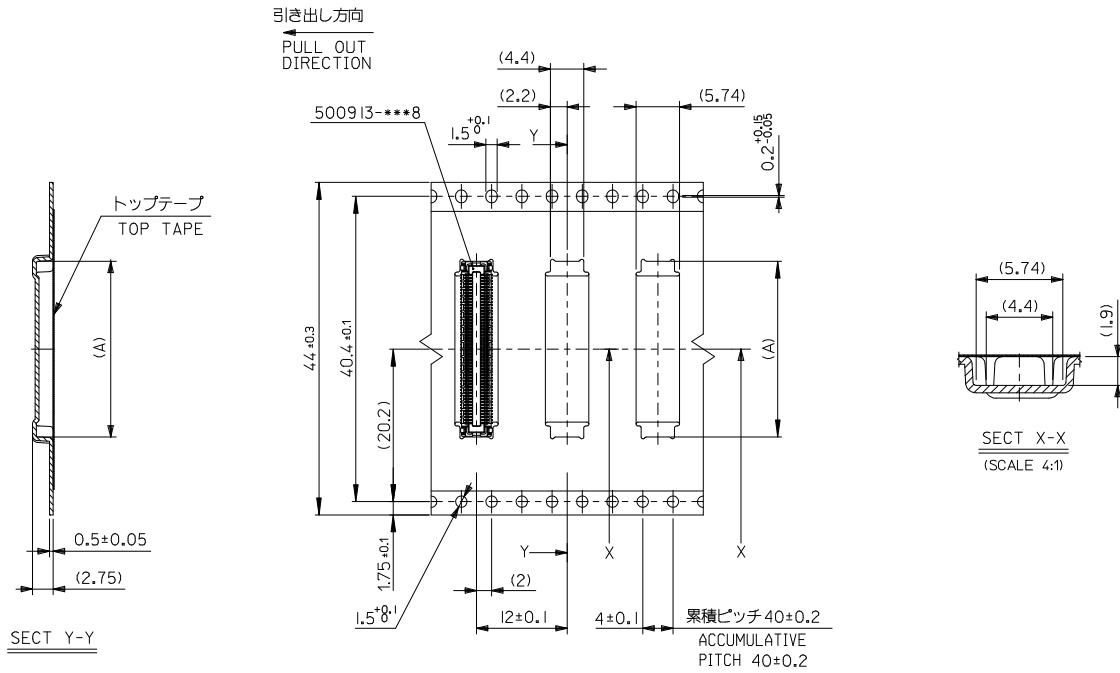
REVISED EC NO: J2007-1419 DRAWN: NABE CHK: KOTOYODA APPR: NUKITA 2006/11/16 2006/11/20 2006/11/21	GENERAL TOLERANCES (UNLESS SPECIFIED)	DIMENSION STYLE MM ONLY	SCALE 2:1	DESIGN UNITS METRIC	MODEL NO.
	10 UNDER ± ---	DRAWN BY R. SUMIYA	DATE 2004/04/19	TITLE 0.4 B-TO-B REC HSG ASSY (HGT=1.8) EMBSTP PKG -LEAD FREE-	
	10 OVER 30 UNDER ± ---	CHECKED BY M. SASAO	DATE 2004/04/19	MOLEX INCORPORATED	
	30 OVER ± ---	APPROVED BY M. SASAO	DATE 2004/04/19	MATERIAL NO. SEE CHART	DOCUMENT NO. SD-500913-002
ANGULAR ± --- °	DRAFT WHERE APPLICABLE MUST REMAIN WITHIN DIMENSIONS	SIZE A3	THIS DRAWING CONTAINS INFORMATION THAT IS PROPRIETARY TO MOLEX INCORPORATED AND SHOULD NOT BE USED WITHOUT WRITTEN PERMISSION		
REV					SHEET NO. 2 OF 4



32mm幅キャリアテープ
32mm WIDTH CARRIER TAPE

32	41.4	37.4	21.26	500913-0902	90
	37.4	33.4	17.26	500913-0702	70
キャリアテープ幅 CARRIER TAPE WIDTH	C	B	(A)	MATERIAL NO.	CIRCUIT

REVISED EC NO: J2007-1419 DRAWN: NABE CHK: KATOYODA APPR: NUKITA 2006/11/16 2006/11/20 2006/11/21	DESCRIPTION	GENERAL TOLERANCES (UNLESS SPECIFIED)	DIMENSION STYLE MM ONLY	SCALE 2:1	DESIGN UNITS METRIC	MODEL NO. 500913-***2	THIRD ANGLE PROJECTION
		10 UNDER ± ---	DRAWN BY R. SUMIYA	DATE 2004/04/19	TITLE 0.4 B-TO-B REC HSG ASSY (HGT=1.8) EMBSTP PKG -LEAD FREE-		
		10 OVER 30 UNDER ± ---	CHECKED BY M. SASAO	DATE 2004/04/19	MOLEX INCORPORATED		
		30 OVER ± ---	APPROVED BY M. SASAO	DATE 2004/04/19	MATERIAL NO. SEE CHART	DOCUMENT NO. SD-500913-002	SHEET NO. 3 OF 4
	ANGULAR ± --- °	DRAFT WHERE APPLICABLE MUST REMAIN WITHIN DIMENSIONS	SIZE A3	THIS DRAWING CONTAINS INFORMATION THAT IS PROPRIETARY TO MOLEX INCORPORATED AND SHOULD NOT BE USED WITHOUT WRITTEN PERMISSION			



44 mm幅キャリアテープ
44 mm WIDTH CARRIER TAPE

44	49.4	45.4	23.26	500913-1002	100
キャリアテープ幅 CARRIER TAPE WIDTH	C	B	(A)	MATERIAL NO.	CIRCUIT

500913-***2			MODEL NO.		
SCALE 2:1	DESIGN UNITS METRIC	THIRD ANGLE PROJECTION			

TITLE
0.4 B-TO-B REC HSG ASSY
(HGT=1.8) EMBSTP PKG
-LEAD FREE-

MOLEX INCORPORATED

MATERIAL NO. SEE CHART	DOCUMENT NO. SD-500913-002	SHEET NO. 4 OF 4
THIS DRAWING CONTAINS INFORMATION THAT IS PROPRIETARY TO MOLEX INCORPORATED AND SHOULD NOT BE USED WITHOUT WRITTEN PERMISSION		

REVISED EC NO: J2007-1419 DRAWN: NABE1 CHK: KKT0Y00A APP: NUKITA	GENERAL TOLERANCES (UNLESS SPECIFIED)		DIMENSION STYLE MM ONLY	
	10 UNDER	± ---	DRAWN BY Y. SAKIYA	DATE 2004/07/30
	10 OVER 30 UNDER	± ---	CHECKED BY M. SASAO	DATE 2004/07/30
	30 OVER	± ---	APPROVED BY M. SASAO	DATE 2004/07/30
REV	DESCRIPTION	ANGULAR	± --- °	
DRAFT WHERE APPLICABLE MUST REMAIN WITHIN DIMENSIONS				