

Excellent Integrated System Limited

Stocking Distributor

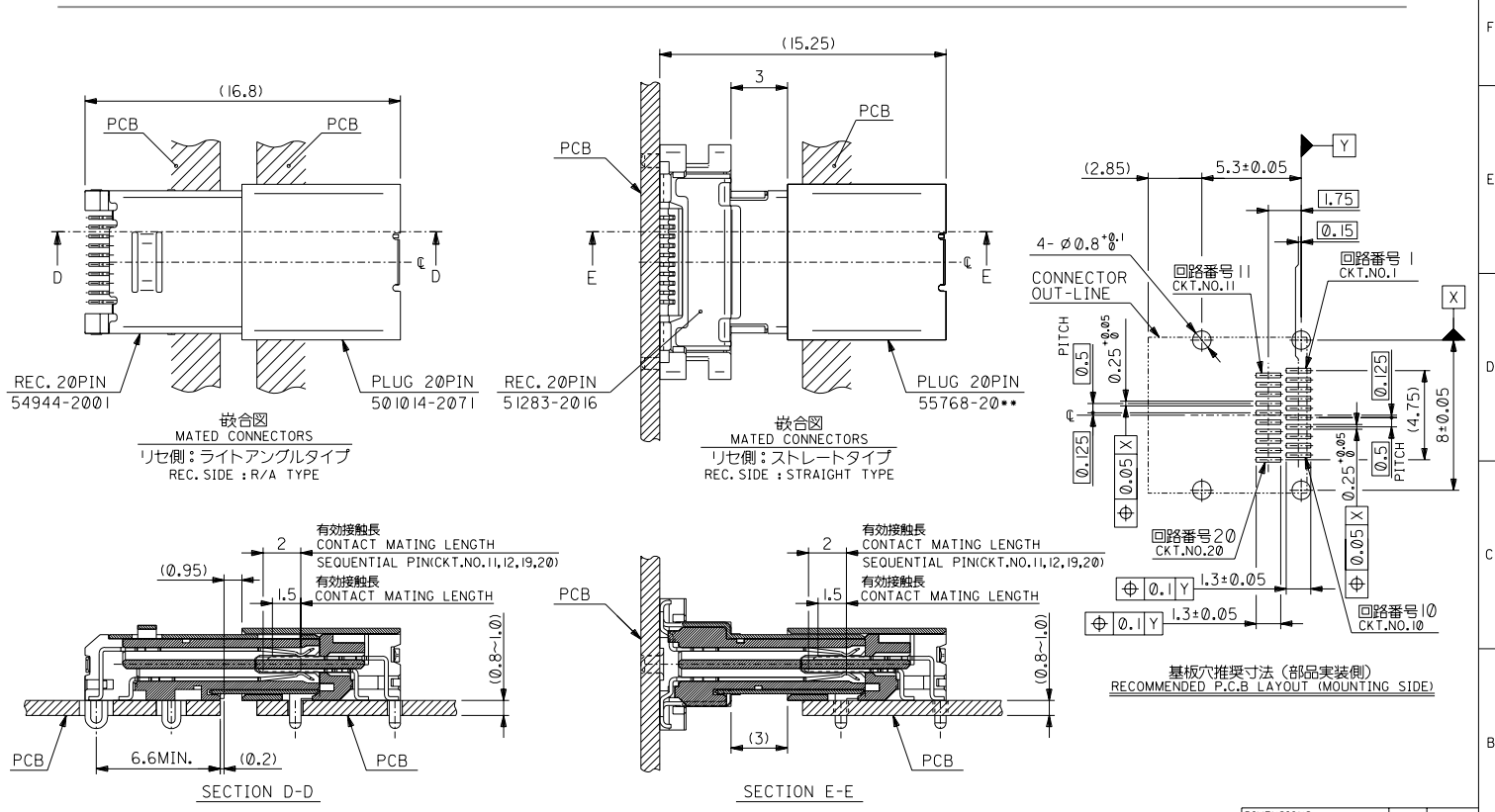
Click to view price, real time Inventory, Delivery & Lifecycle Information:

[Molex Connector Corporation](#)
[5010142071](#)

For any questions, you can email us directly:

sales@integrated-circuit.com

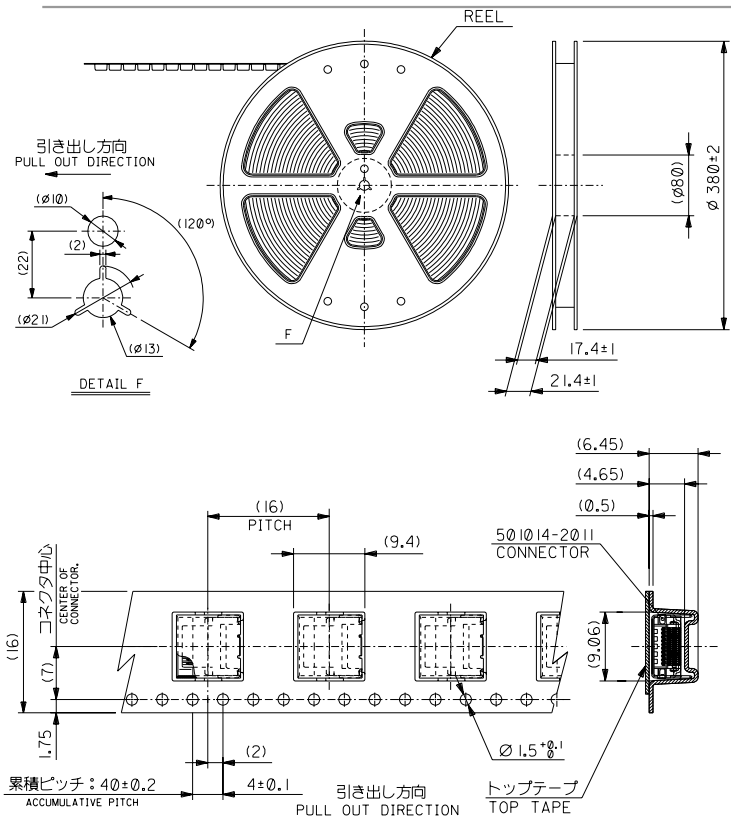
DWG. NO. SD-501014-001



DO NOT SCALE DRAWING		EC NO. / DRAWN: / CHK'G: / APPR:		EC NO. / DRAWN: / CHK'G: / APPR:		EC NO. / DRAWN: / CHK'G: / APPR:		EC NO. / DRAWN: / CHK'G: / APPR:		RELEASED '04/05/11 EC NO. J2004-4159 DRAWN: T.UENO CHK'G: M.SASAO APPR: M.SASAO		MATERIAL 材料 #		FINISH 仕上り #		WIRE RANGE 適用電線範囲 #		INS. RANGE 被覆外径 #		GENERAL TOLERANCES: (UNLESS SPECIFIED) 一般公差 10 UNDER 未満 +0.2 10 OVER 以上 30 UNDER 未満 +0.25 30 OVER 以上 +0.3 ANGLE 角度 ±3°		SCALE 5-1 DESIGN UNITS 設計單位 <input checked="" type="checkbox"/> mm <input type="checkbox"/> INCH		DRAWN BY & DATE T.UENO '04/05/11 CHECKED BY & DATE M.SASAO '04/05/11 APPROVED BY & DATE M.SASAO '04/05/11 CAD FILENAME SD-501014-001.S02		DIMENSIONS: 尺寸 <input type="checkbox"/> mm <input type="checkbox"/> INCH <input checked="" type="checkbox"/> mm ONLY THIRD ANGLE PROJECTION 第三角投影		SHT 2 REV 1 REVISIONS 變更 CAD ONLY	
										TITLE: 0.5 I/O CONN. PLUG HS'G ASSY 20CKT. -LEAD FREE- MOLEX INCORPORATED		MATERIAL NO. SEE CHART DRAWING NO. SD-501014-001		SHEET NO. 2 SIZE B		THIS DRAWING CONTAINS INFORMATION THAT IS PROPRIETARY TO MOLEX INCORPORATED AND SHOULD NOT BE USED WITHOUT WRITTEN PERMISSION.				EN-02J(097) MXJ-54									

SD-501014-001.S02

DWG. NO. SD-501014-002



注記
NOTES

- 製品番号 501014-2011 の詳細寸法については、SD-501014-001 を参照下さい。
IN THE PACKAGE, PART NO. 501014-2011 RE DETAILED DIMENSIONS, SEE SD-501014-001.
- 梱包数量: 900個/リール
NUMBER OF CONNECTORS: 900 PCS/REEL
- リードテープ長さ
LEAD TAPE LENGTH

トップテープ接着部
TOP TAPE BONDED PART
(空エンボス)
(EMPTY)

20PCS MIN.

トップテープ
リーダー部
TOP TAPE LEADER PART
40Q MIN.

部品挿入部
COMPONENT SUPPLIER

末端部
(空部)
TAIL PART
(EMPTY)
16Q MIN.

- トップテープの剥離強度: (剥離方向は下図参照)
PEELING OFF FORCE OF TOP TAPE (PEELING DIRECTION AS SHOWN IN FOLLOWING FIG.)
 $0.1N \sim 1.3N$ (10gf ~ 130gf)
尚、本規格値は、出荷時に適用。
(但し、輸送時に剥離が発生しない事。)
THIS REQUIREMENT SHOULD BE APPLIED AT SHIPMENT
(PEEL OFF SHOULD NOT BE ALLOWED, DURING TRANSPORTATION)

剥離方向
PEEL OFF DIRECTION

引き出し方向
PULL OUT DIRECTION

10°

- 材料
MATERIAL
キャリアテープ: ポリプロピレン (PP)
CARRIER TAPE: POLYPROPYLENE (PP)
トップテープ: PET, PE, PEF
TOP TAPE: PET, PE, PEF
リール: ポリスチレン
REEL: POLYSTYLENE
- 本製品は 55768-2091 の鉛フリー品である。
THIS PRODUCT IS LEAD FREE OF 55768-2091.

20	501014-2011	501014-2071	501014-**-7*
CKT.	CONNECTOR	MATERIAL NO.	MODEL NO.

EC NO. DRAWN: CHK'G: APPR:	EC NO. DRAWN: CHK'G: APPR:	EC NO. DRAWN: CHK'G: APPR:	REVISED '04/05/26 EC NO. J2004-4439 DRAWN: T.UENO CHK'G: M.SASAO APPR: M.SASAO	RELEASED '04/05/11 EC NO. J2004-4159 DRAWN: T.UENO CHK'G: M.SASAO APPR: M.SASAO	DESCRIPTION MATERIAL 材料 SEE NOTES
8	7	6	A	0	

GENERAL TOLERANCES: (UNLESS SPECIFIED) 一般公差	SCALE →	DESIGN UNITS mm INCH	THIRD ANGLE PROJECTION	DIMENSIONS: mm INCH mm ONLY	SHT REV
10 UNDER 未満	+0.2	DRAWN BY & DATE T.UENO '04/05/11	☉	mm INCH	REVISE ON CAD ONLY
10 OVER 以上	+0.25	CHECKED BY & DATE M.SASAO '04/05/11		mm ONLY	
30 OVER 以上	+0.3	APPROVED BY & DATE M.SASAO '04/05/11		mm ONLY	
ANGLE 角度	±3'	CAD FILENAME SD-501014-002.S01		mm ONLY	
INS. RANGE 検査外径				mm ONLY	

TITLE: EMBOSSED TAPE PACKAGE FOR 501014 -LEAD FREE-		MOLEX INCORPORATED	
MATERIAL NO. SEE CHART	DRAWING NO. SD-501014-002	SHEET NO. 1 OF 1	SIZE B
EN-02J(097) MXJ-54			

16301014-002.S01