

Excellent Integrated System Limited

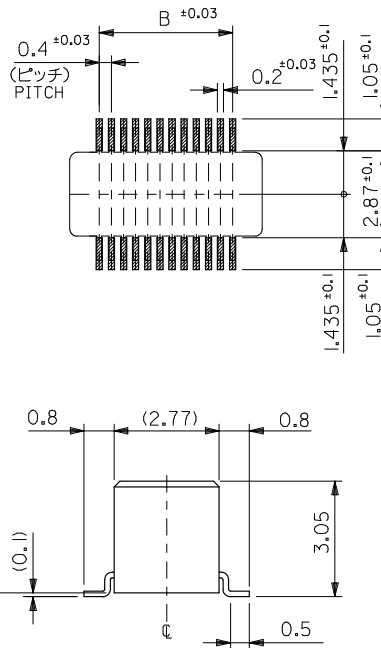
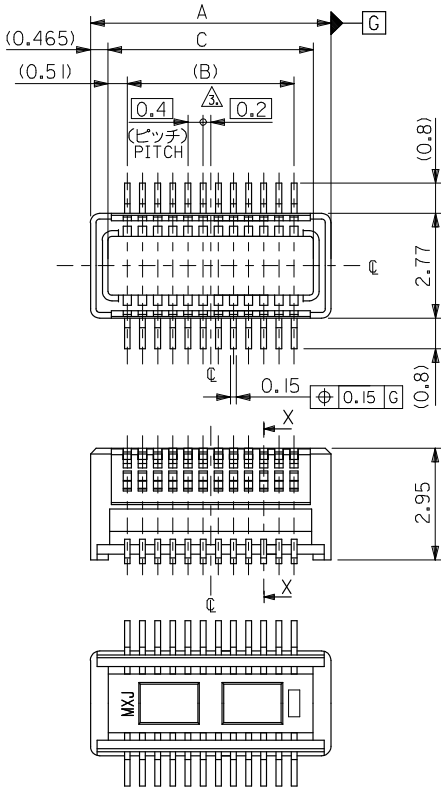
Stocking Distributor

Click to view price, real time Inventory, Delivery & Lifecycle Information:

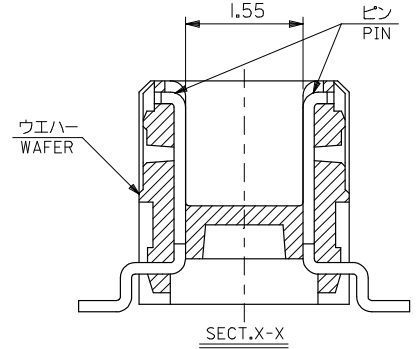
[Molex Connector Corporation](#)
[5010171008](#)

For any questions, you can email us directly:

sales@integrated-circuit.com



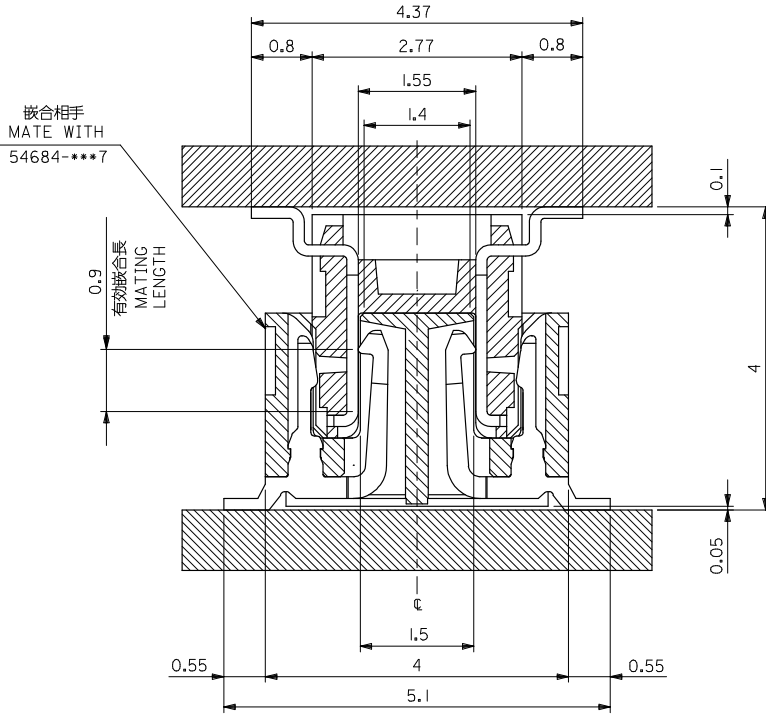
参考基板レイアウト (マウント面)
RECOMMENDED P.C.BOARD
PATTERN DIMENSION (REF.)
(MOUNTING AREA)



20.64	19.6	21.55	501017-1007	100
16.63	15.6	17.55	501017-0807	80
12.64	11.6	13.55	501017-0607	60
10.64	9.6	11.55	501017-0507	50
5.42	4.4	6.35	501017-0247	24
C	B	A	MATERIAL NO.	CIRCUIT

MODEL NO. 501017-****7

MATERIAL 材料	注記参照 SEE NOTES	REVISED EC NO.: J2008-2284 DRAWN BY: Y. NUKANO CHKD BY: T. HIRATA APPROVED BY: M. SASAO DATE: 2007/12/04 DATE: 2007/12/06 DATE: 2007/12/06	GENERAL TOLERANCES (UNLESS SPECIFIED)		DIMENSION STYLE MM ONLY		SCALE ---	DESIGN UNITS METRIC	THIRD ANGLE PROJECTION
			10 UNDER ±0.2	10 OVER 30 UNDER ±0.25	30 OVER ±0.3	ANGULAR ±--- °	DRAFT WHERE APPLICABLE MUST REMAIN WITHIN DIMENSIONS	SIZE A	TITLE 0.4MM B-T0-B CONN NO BOSS PLUG ASSY (HGT=4MM)



嵌合断面図 (参考)

MATED DRAWING (REF.)

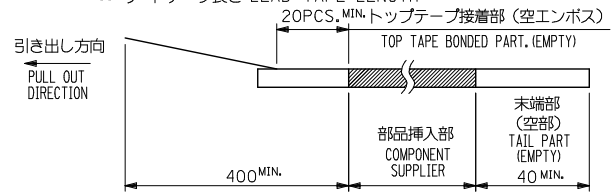
注記 NOTES:

1. 使用材料 MATERIAL
 ウエハー: 液晶ポリマー ガラス充填 UL94V-0 茶色
 WAFER: LIQUID CRYSTAL POLYMER
 GLASS FILLED UL94V-0
 COLOR BROWN
 ピン: リン青銅 (t=0.15)
 PIN: PHOSPHOR BRONZE (t=0.15)
 2. メッキ仕様 PLATING
 金メッキ 0.25 マイクロメートル以上 (コンタクト部)
 GOLD 0.25MICROMETER MINIMUM (CONTACT AREA)
 金メッキ 0.4 マイクロメートル以下 (テール部)
 GOLD 0.4MICROMETER MAXIMUM (TAIL AREA)
 下地メッキ: ニッケルメッキ 1.5 マイクロメートル以上
 UNDER PLATING: NICKEL 1.5MICROMETER MINIMUM
- △ (全極数/2) = 偶数の場合に適用。
 APPLY FOR (CIRCUIT/2) = EVEN.
4. 嵌合相手: 54684 シリーズ
 MATE WITH: 54684 SERIES.
 5. テール平坦度は、0.10 MAX.
 TAIL COPLANARITY TO BE 0.10 MAX.
 又、テール半田付け面の位置はウエハーの底面 [X] に対し
 上方向に 0、下方向に 0.15 MAX. とする。
 MISALIGNMENT OF SOLDER TAILS FROM [X]
 : UPPER DIRECTION 0
 : LOWER DIRECTION 0.15 MAX.

MATERIAL 材料	SHEET 1 OF 2 参照 REFER TO SHEET 1 OF 2	REVISED EC NO.: J2008-2284 DRWN: YMAEDA CHYOKUNIKITA APPR: NIKITA 2007/12/04 2007/12/06 2007/12/06	GENERAL TOLERANCES (UNLESS SPECIFIED)		DIMENSION STYLE MM ONLY		SCALE ---	DESIGN UNITS METRIC	THIRD ANGLE PROJECTION	
			10 UNDER	± 0.2	DRAWN BY Y. NUKANO	DATE 2004/06/05	TITLE 0.4MM B-TO-B CONN NO BOSS PLUG ASSY (HGT=4MM)			
			10 OVER 30 UNDER	± 0.25	CHECKED BY T. HIRATA	DATE 2004/06/05				
			30 OVER	± 0.3	APPROVED BY M. SASAO	DATE 2004/06/05	MOLEX INCORPORATED			
ANGULAR	± --- °	MATERIAL NO. SEE TABLE		DOCUMENT NO. SD-501017-001		SHEET NO. 2 OF 2				
DRAFT WHERE APPLICABLE MUST REMAIN WITHIN DIMENSIONS			SIZE THIS DRAWING CONTAINS INFORMATION THAT IS PROPRIETARY TO MOLEX INCORPORATED AND SHOULD NOT BE USED WITHOUT WRITTEN PERMISSION							

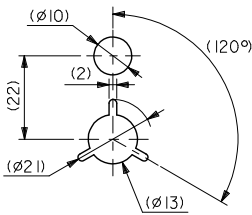
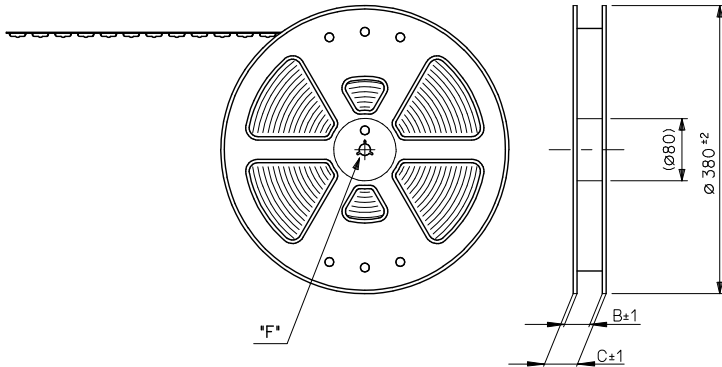
NOTES

1. 製品詳細寸法については図面 SD-501017-001 を参照下さい。
RE DETAILED DIMENSION, SEE SD-501017-001
2. 梱包数量: 1500個/リール
NUMBER OF CONNECTORS: 1500PCS/REEL
3. リードテープ長さ LEAD TAPE LENGTH



4. シール位置はトップテープ両端から0.5mm以上内側に行い、
且つエンボスポケット面にかからない位置とする。
SEAL POSITION IS 0.5mm OR MORE INNER SIDE FROM TOP TAPE BOTH ENDS
AND WHICH IS NOT TAKE ON THE EMBOSSED POKET SIDE.
5. 材料 (MATERIAL)
キャリアテープ (CARRIER TAPE): ポリプロピレン (POLYPROPYLENE)
トップテープ (TOP TAPE): PET, PE, PEF
リール (REEL): ポリスチレン (P.S) <リサイクル材を含む>
POLYSTYRENE (PS) <RECYCLE MATERIAL CONTAINED>

引き出し方向
PULL OUT
DIRECTION

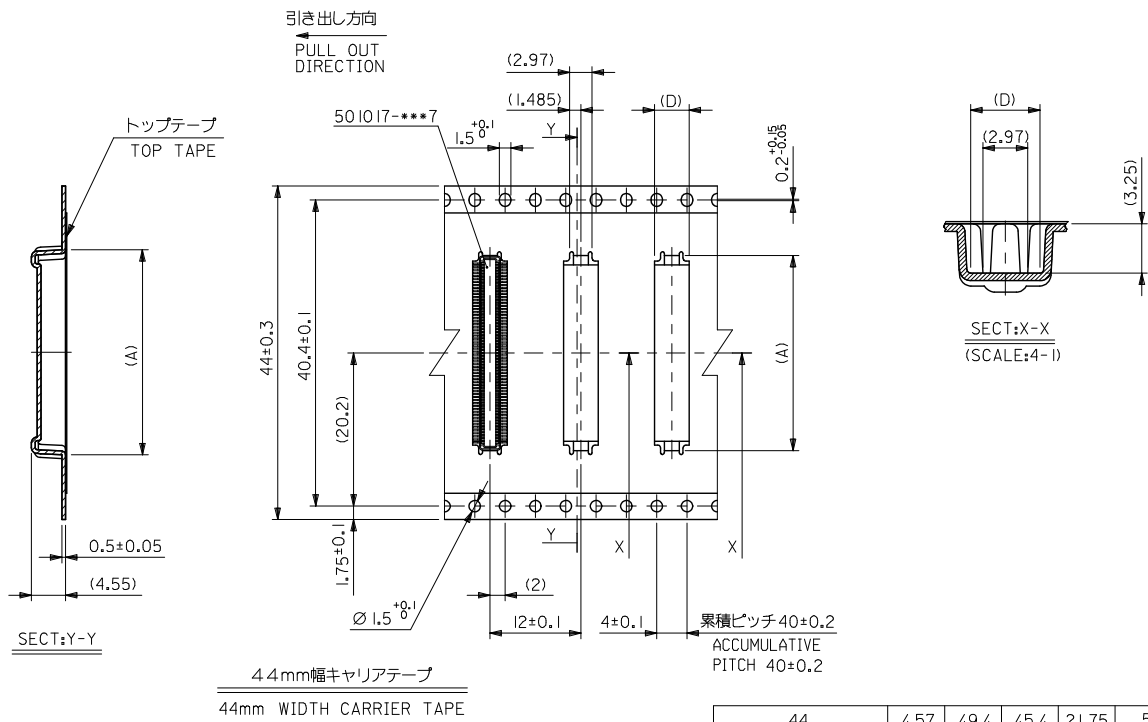


DETAIL "F"

MODEL NO. 501017-***8

REVISED JEC NO. J2014-0046 DRAWN BY: TIDRWANKI INOBU 2013/07/05 CHECKED BY: CHIKO-TASAKAWA 2013/07/05 APPROVED BY: AKIHIRO KAWA 2013/08/05	GENERAL TOLERANCES (UNLESS SPECIFIED)		DIMENSION STYLE	SCALE	DESIGN UNITS	THIRD ANGLE PROJECTION	
			MM ONLY	---	METRIC		
	10 UNDER	± 0.2	DRAWN BY: YNUKANOBU	DATE: 2004/06/05	EMBOSSD TAPE PACKAGE FOR 501017-***7		
	10 OVER 30 UNDER	± 0.25	CHECKED BY: THIRATA	DATE: 2004/06/05			
30 OVER	± 0.3	APPROVED BY: MSASAO	DATE: 2004/06/05	molex			
ANGULAR	± 3 °	MATERIAL NO. SEE TABLE					DOCUMENT NO. SD-501017-002
DRAFT WHERE APPLICABLE MUST REMAIN WITHIN DIMENSIONS		THIS DRAWING CONTAINS INFORMATION THAT IS PROPRIETARY TO MOLEX INCORPORATED AND SHOULD NOT BE USED WITHOUT WRITTEN PERMISSION					

10 9 8 7 6 5 4 3 2 1

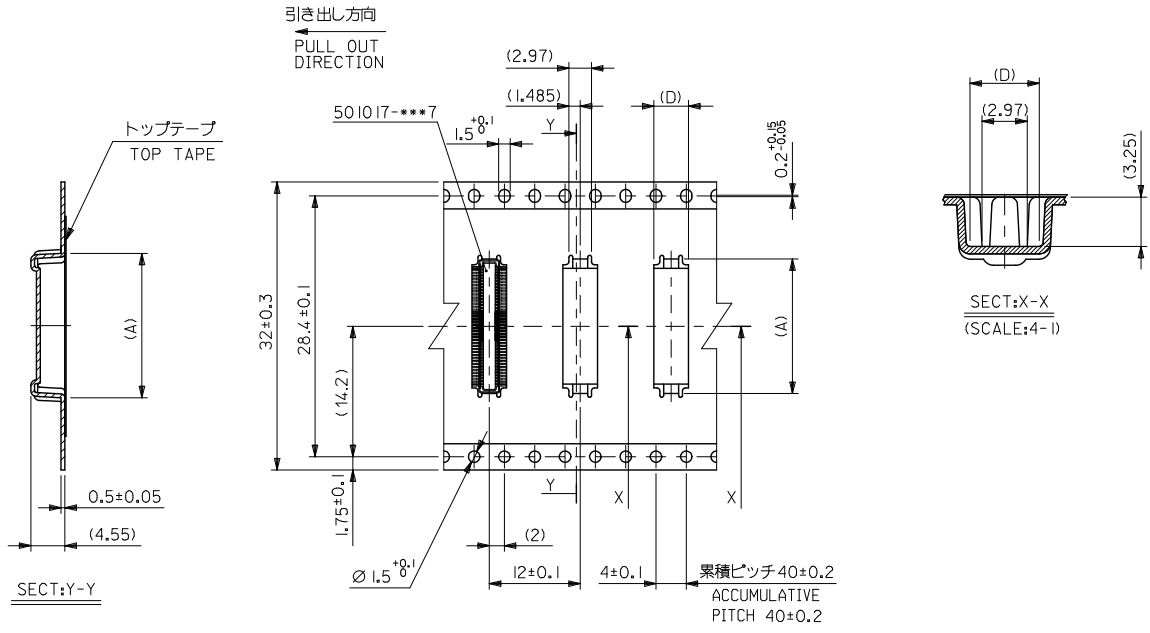


44	4.57	49.4	45.4	21.75	501017-1008	100
キャリアテープ幅 CARRIER TAPE WIDTH	(D)	C	B	(A)	MATERIAL NO.	極数 CKT.

REVISED IEC NO. J2014-0046 DRAWN BY: DRWANAKI NOMURA 2013/07/05 CHECKED BY: CHIKO-TAKAKAWA 2013/07/05 APPROVED BY: AKIHIRO KAWA 2013/08/05 DESCRIPTION:	GENERAL TOLERANCES (UNLESS SPECIFIED)		DIMENSION STYLE MM ONLY		SCALE ---	DESIGN UNITS METRIC	MODEL NO. 501017-***8
	10 UNDER	± 0.2	DRAWN BY	DATE	TITLE		
	10 OVER 30 UNDER	± 0.25	YNUKANOBU	2004/06/05	EMBOSSD TAPE PACKAGE FOR 501017-***7		
	30 OVER	± 0.3	THIRATA	2004/06/05	molex		
ANGULAR ± 3 °		APPROVED BY		DATE	DOCUMENT NO.		SHEET NO.
DRAFT WHERE APPLICABLE MUST REMAIN WITHIN DIMENSIONS		MSASAO		2004/06/05	SD-501017-002		2 OF 4
		MATERIAL NO.		SEE TABLE			THIS DRAWING CONTAINS INFORMATION THAT IS PROPRIETARY TO MOLEX INCORPORATED AND SHOULD NOT BE USED WITHOUT WRITTEN PERMISSION

9 8 7 6 5 4 3 2

10 9 8 7 6 5 4 3 2 1



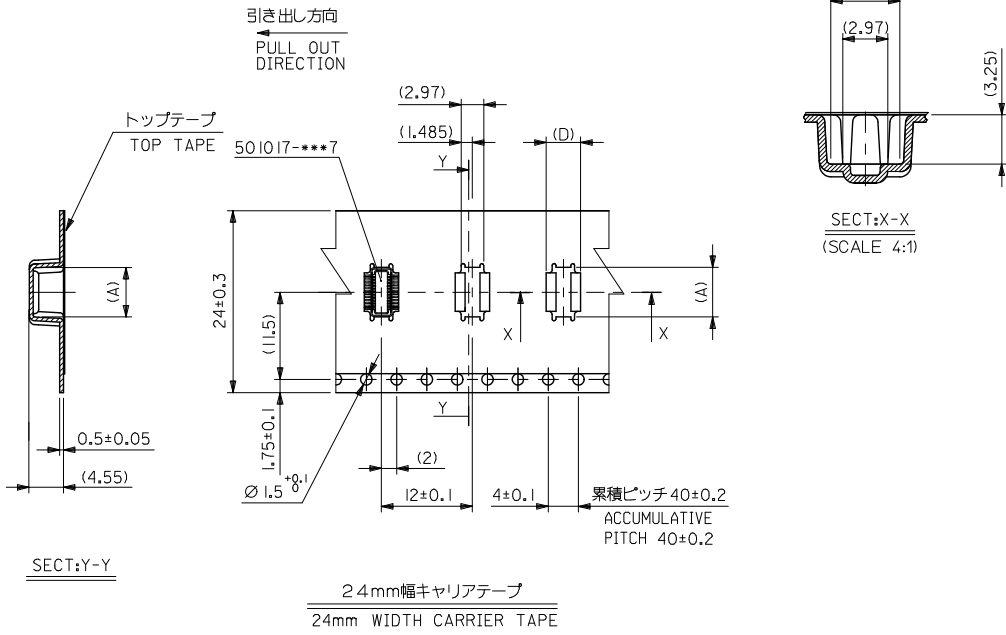
32 mm幅キャリアテープ
32 mm WIDTH CARRIER TAPE

32	4.57	37.4	33.4	17.75	501017-0808	80
	5.02			13.75	501017-0608	60
キャリアテープ幅 CARRIER TAPE WIDTH	(D)	C	B	(A)	MATERIAL NO.	極数 CKT.

REVISED IEC NO. J2014-0046 T1 DRANKI NOMURA 2013/07/05 CHIKO-TAKAWA 2013/07/05 APPR:KORIKAWA 2013/08/05 REV DESCRIPTION	GENERAL TOLERANCES (UNLESS SPECIFIED)		DIMENSION STYLE MM ONLY		SCALE ---	DESIGN UNITS METRIC	MODEL NO. 501017-***8
	10 UNDER	±0.2	DRAWN BY YNUKANOBU	DATE 2004/06/05	TITLE EMBOSSD TAPE PACKAGE FOR 501017-***7		
	10 OVER 30 UNDER	±0.25	CHECKED BY THIRATA	DATE 2004/06/05	THIRD ANGLE PROJECTION		
	30 OVER	±0.3	APPROVED BY MSASAO	DATE 2004/06/05	MATERIAL NO.		
	ANGULAR ±3 °		SEE TABLE		DOCUMENT NO. SD-501017-002	SHEET NO. 3 OF 4	
DRAFT WHERE APPLICABLE MUST REMAIN WITHIN DIMENSIONS		THIS DRAWING CONTAINS INFORMATION THAT IS PROPRIETARY TO MOLEX INCORPORATED AND SHOULD NOT BE USED WITHOUT WRITTEN PERMISSION					

9 8 7 6 5 4 3 2 1

10 9 8 7 6 5 4 3 2 1



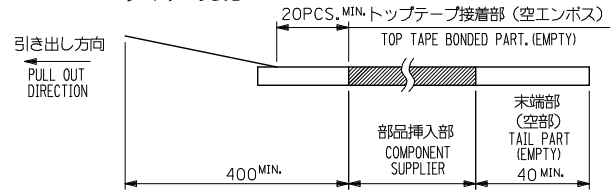
24	4.57	29.4	25.4	6.55	501017-0248	24
キャリアテープ幅 CARRIER TAPE WIDTH	(D)	C	B	A	MATERIAL NO.	極数 CKT.

REVISIONS IEC NO. J2014-0046 DRAWN BY: YNUKANOBU 2013/07/05 CHECKED BY: THIRATA 2013/07/05 APPR: MORIKAWA 2013/08/05 REV. DESCRIPTION	GENERAL TOLERANCES (UNLESS SPECIFIED)		DIMENSION STYLE		SCALE	DESIGN UNITS	MODEL NO.	501017-***8
			MM ONLY		---	METRIC	THIRD ANGLE PROJECTION	
	10 UNDER	± 0.2	DRAWN BY	DATE	EMBOSSED TAPE PACKAGE FOR 501017-***7 molex			
	10 OVER 30 UNDER	± 0.25	YNUKANOBU	2004/06/05				
30 OVER	± 0.3	THIRATA	2004/06/05					
ANGULAR ± 3 °		APPROVED BY	DATE	MATERIAL NO.	DOCUMENT NO.	SHEET NO.		
DRAFT WHERE APPLICABLE MUST REMAIN WITHIN DIMENSIONS		MSASAO 2004/06/05		SEE CHART	SD-501017-002	4 OF 4		
THIS DRAWING CONTAINS INFORMATION THAT IS PROPRIETARY TO MOLEX INCORPORATED AND SHOULD NOT BE USED WITHOUT WRITTEN PERMISSION								

9 8 7 6 5 4 3 2

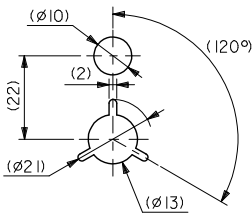
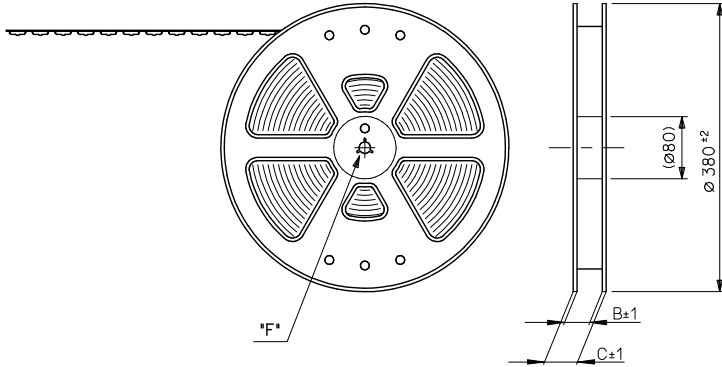
NOTES

1. 製品詳細寸法については図面 SD-501017-005 を参照下さい。
RE DETAILED DIMENSION, SEE SD-501017-005
2. 梱包数量：1500個/リール
NUMBER OF CONNECTORS：1500PCS/REEL
3. リードテープ長さ LEAD TAPE LENGTH



4. シール位置はトップテープ両端から0.5mm以上内側に行い、
且つエンボスポケット面にかからない位置とする。
SEAL POSITION IS 0.5mm OR MORE INNER SIDE FROM TOP TAPE BOTH ENDS
AND WHICH IS NOT TAKE ON THE EMBOSSED POKET SIDE.
5. 材料 (MATERIAL)
キャリアテープ (CARRIER TAPE)：ポリプロピレン (POLYPROPYLENE)
トップテープ (TOP TAPE)：PET, PE, PEF
リール (REEL)：ポリスチレン (P.S) <リサイクル材を含む>
POLYSTYRENE (PS) <RECYCLE MATERIAL CONTAINED>

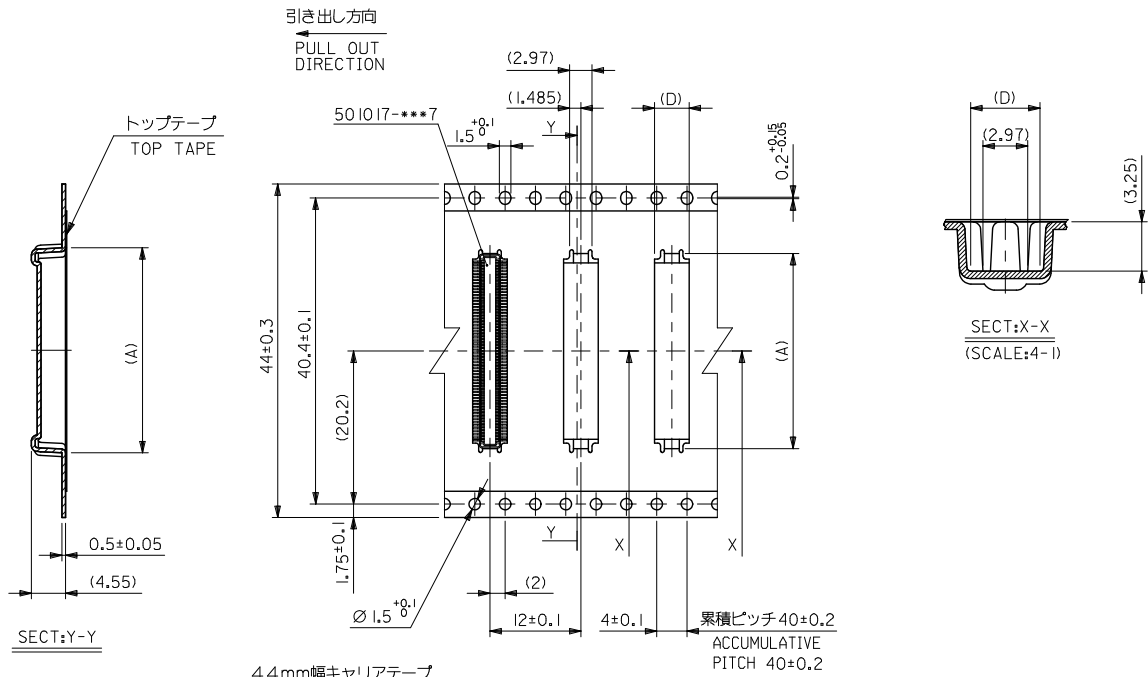
引き出し方向
PULL OUT
DIRECTION



DETAIL "F"

RELEASED IEC NO. J2015-0134 DRAWN: SATO06 2014/07/24 CHECKED: TANAKA03 2014/07/28 APPROV: MORIKAWA 2014/07/28	GENERAL TOLERANCES (UNLESS SPECIFIED)		DIMENSION STYLE		SCALE	DESIGN UNITS	MODEL No.
			MM ONLY		---	METRIC	501017-***03
	10 UNDER	±0.2	DRAWN BY	DATE	TITLE		
	10 OVER 30 UNDER	±0.25	YSAT006	2014/07/24	EMBOSSED TAPE PACKAGE FOR 501017-***9		
30 OVER	±0.3	CHECKED BY	DATE	MATERIAL NO.			SHEET NO.
30 OVER	±0.3	KTANAKA03	2014/07/28	SEE CHART			1 OF 2
ANGULAR	±3 °	APPROVED BY	DATE	DOCUMENT NO.			
		KMORIKAWA	2014/07/28	SD-501017-006			
DRAFT WHERE APPLICABLE MUST REMAIN WITHIN DIMENSIONS		THIS DRAWING CONTAINS INFORMATION THAT IS PROPRIETARY TO MOLEX INCORPORATED AND SHOULD NOT BE USED WITHOUT WRITTEN PERMISSION					

10 9 8 7 6 5 4 3 2 1



44mm幅キャリアテープ
44mm WIDTH CARRIER TAPE

44	4.57	49.4	45.4	25.75	501017-1203	120
キャリアテープ幅 CARRIER TAPE WIDTH	D	C	B	A	MATERIAL NO.	極数 CIRCUITS

RELEASED EC NO. J2015-0134 2014/07/24 DRAWN: YSAT006 2014/07/28 CHECKED: CHIKDKTANAKA03 2014/07/28 APPR: KMORIKAWA 2014/07/28 REV: 0	GENERAL TOLERANCES (UNLESS SPECIFIED)		DIMENSION STYLE MM ONLY		SCALE ---	MODEL No. : 501017-***03
	10 UNDER	± 0.2	DRAWN BY	DATE	TITLE	EMBOSSED TAPE PACKAGE FOR 501017-***9
	10 OVER 30 UNDER	± 0.25	YSAT006	2014/07/24	SEE CHART SD-501017-006	
	30 OVER	± 0.3	KTANAKA03	2014/07/28		
ANGULAR ± 3 °		APPROVED BY		DATE	DESIGN UNITS	THIRD ANGLE PROJECTION
DRAFT WHERE APPLICABLE MUST REMAIN WITHIN DIMENSIONS		KMORIKAWA		2014/07/28	METRIC	DOCUMENT NO.
		MATERIAL NO.		SEE CHART	SHEET NO. 2 OF 2	
		SIZE A3		THIS DRAWING CONTAINS INFORMATION THAT IS PROPRIETARY TO MOLEX INCORPORATED AND SHOULD NOT BE USED WITHOUT WRITTEN PERMISSION		

9 8 7 6 5 4 3 2