

Excellent Integrated System Limited

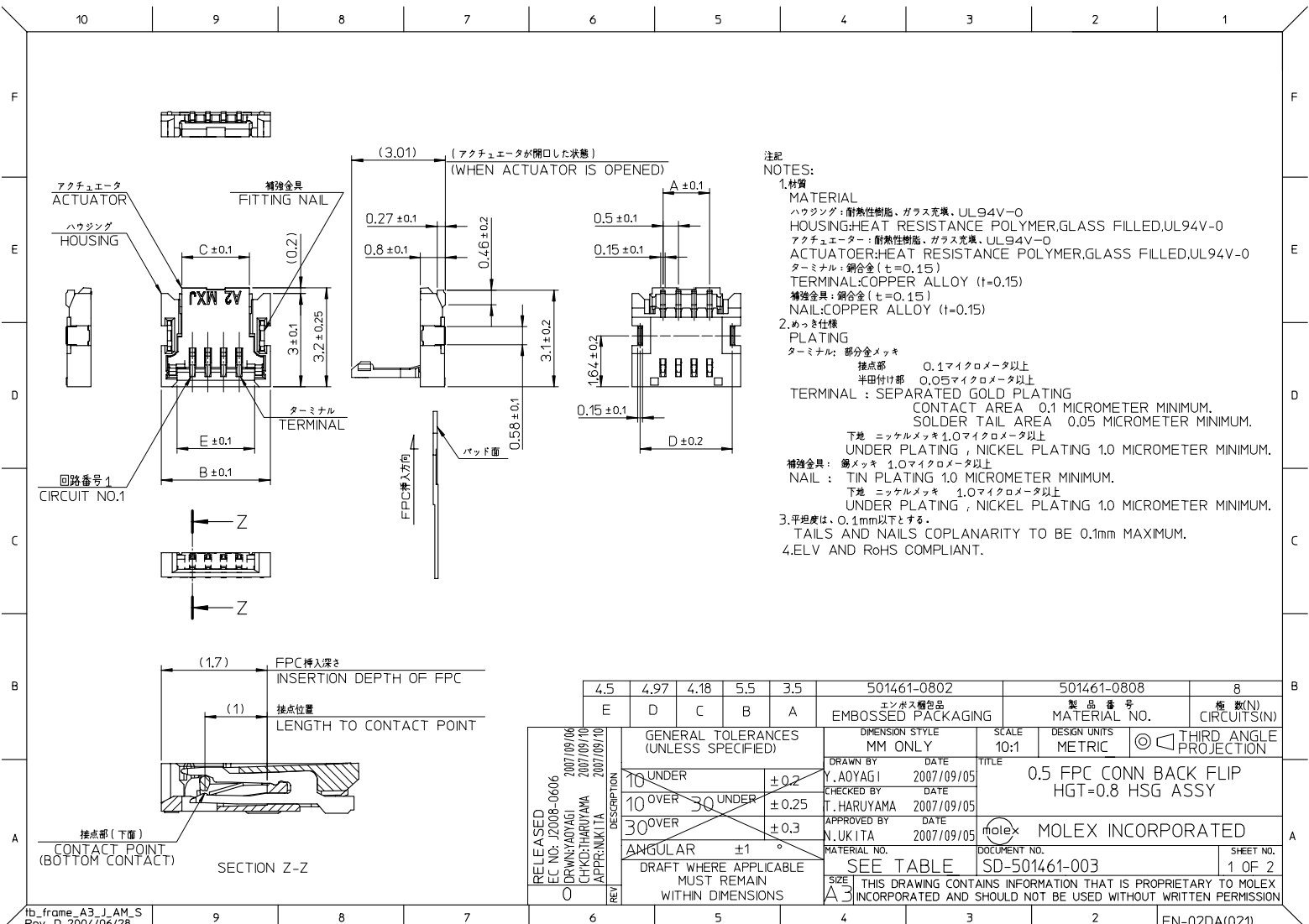
Stocking Distributor

Click to view price, real time Inventory, Delivery & Lifecycle Information:

[Molex Connector Corporation](#)
[5014610802](#)

For any questions, you can email us directly:

sales@integrated-circuit.com



注記
NOTES:

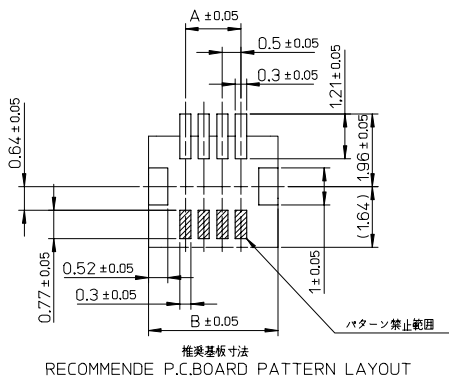
- 材質
MATERIAL
ハウジング:耐熱性樹脂、ガラス充填、UL94V-0
HOUSING:HEAT RESISTANCE POLYMER, GLASS FILLED, UL94V-0
アクチュエータ:耐熱性樹脂、ガラス充填、UL94V-0
ACTUATOR:HEAT RESISTANCE POLYMER, GLASS FILLED, UL94V-0
ターミナル:銅合金 (t=0.15)
TERMINAL: COPPER ALLOY (t=0.15)
補強金具:銅合金 (t=0.15)
FITTING NAIL: COPPER ALLOY (t=0.15)
- めっき仕様
PLATING
ターミナル: 部分金メッキ
接点部 0.1マイクロメートル以上
半田付け部 0.05マイクロメートル以上
TERMINAL: SEPARATED GOLD PLATING
CONTACT AREA 0.1 MICROMETER MINIMUM.
SOLDER TAIL AREA 0.05 MICROMETER MINIMUM.
下地 ニッケルメッキ 1.0マイクロメートル以上
UNDER PLATING, NICKEL PLATING 1.0 MICROMETER MINIMUM.
補強金具: 銅メッキ 1.0マイクロメートル以上
NAIL: TIN PLATING 1.0 MICROMETER MINIMUM.
下地 ニッケルメッキ 1.0マイクロメートル以上
UNDER PLATING, NICKEL PLATING 1.0 MICROMETER MINIMUM.
- 平坦度は、0.1mm以下とする。
TAILS AND NAILS COPLANARITY TO BE 0.1mm MAXIMUM.
- ELV AND RoHS COMPLIANT.

4.5	4.97	4.18	5.5	3.5	501461-0802	501461-0808	8	
E	D	C	B	A	エンボス梱包品 EMBOSSED PACKAGING	製品番号 MATERIAL NO.	板数(N) CIRCUITS(N)	
GENERAL TOLERANCES (UNLESS SPECIFIED)					DIMENSION STYLE MM ONLY	SCALE 10:1	DESIGN UNITS METRIC	THIRD ANGLE PROJECTION
10 UNDER			±0.2		DRAWN BY Y. AOYAGI	DATE 2007/09/05	TITLE 0.5 FPC CONN BACK FLIP HGT=0.8 HSG ASSY	
10 OVER	30 UNDER		±0.25		CHECKED BY T. HARUYAMA	DATE 2007/09/05	MOLEX INCORPORATED	
30 OVER			±0.3		APPROVED BY N. UKITA	DATE 2007/09/05	MATERIAL NO. DOCUMENT NO. SD-501461-003	
DRAFT WHERE APPLICABLE MUST REMAIN WITHIN DIMENSIONS					SIZE A3		SHEET NO. 1 OF 2	
RELEASED EC NO: J2008-0606 DRAWN BY: AOYAGI CHKD: HARUYAMA APP: UKITA					INCORPORATED AND SHOULD NOT BE USED WITHOUT WRITTEN PERMISSION			EN-02DA(021)

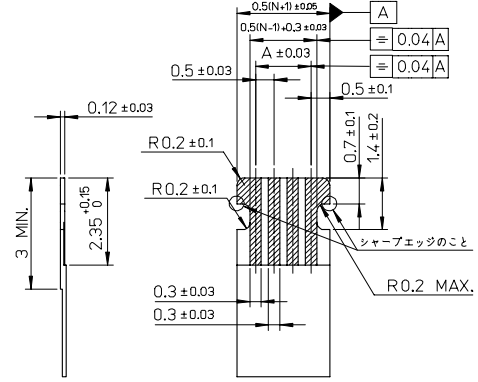
10 9 8 7 6 5 4 3 2 1

F
E
D
C
B
A

F
E
D
C
B
A



推奨基板寸法
RECOMMENDED P.C.BOARD PATTERN LAYOUT



推奨FPC寸法
RECOMMENDED FPC PATTERN LAYOUT

FPCについて:
 抜き方向は、導体側から補強板側を推奨します。
 補強フィルム材質は、ポリイミドを推奨します。
 接着剤は、熱硬化接着剤を推奨します。
 尚、接着剤の接点部への付着は、導通不良の原因となりますので染み出しが無いよう、お願いします。

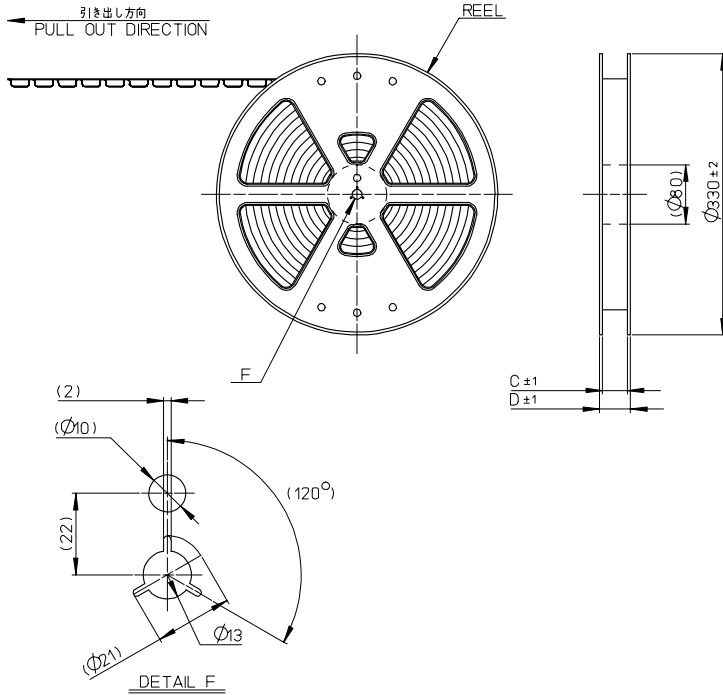
ABOUT FPC:
 RECOMMENDED PUNCHER DIRECTION:
 FROM CONDUCTOR SIDE TO STIFFENER FILM SIDE.
 RECOMMENDED MATERIAL:
 STIFFENER FILM: POLYIMIDE
 BONDING AGENT: THERMOSETTING AGENT
 PLEASE PUT APPROPRIATE AMOUNT OF ASHESIVE MAY CAUSE
 THE DEFECT IN ELECTRICAL CONTINUITY.

RELEASED EC NO: J2008-0606 DRAWN BY: AYOYAGI CHKD: HARUYAMA APPR: UKITA	DESCRIPTION 2007/09/06 2007/09/10 2007/09/10	GENERAL TOLERANCES (UNLESS SPECIFIED)		DIMENSION STYLE MM ONLY	SCALE 10:1	DESIGN UNITS METRIC	THIRD ANGLE PROJECTION	
		10 UNDER	±0.2	DRAWN BY Y. AYOYAGI	DATE 2007/09/05	TITLE 0.5 FPC CONN BACK FLIP HGT=0.8 HSG ASSY		
		10 OVER	±0.25	CHECKED BY T. HARUYAMA	DATE 2007/09/05	MOLEX INCORPORATED		
		30 OVER	±0.3	APPROVED BY N. UKITA	DATE 2007/09/05	MATERIAL NO. SEE SHEET 1	DOCUMENT NO. SD-501461-003	SHEET NO. 2 OF 2
0	REV	DRAFT WHERE APPLICABLE MUST REMAIN WITHIN DIMENSIONS		SIZE A3 THIS DRAWING CONTAINS INFORMATION THAT IS PROPRIETARY TO MOLEX INCORPORATED AND SHOULD NOT BE USED WITHOUT WRITTEN PERMISSION				

10 9 8 7 6 5 4 3 2 1

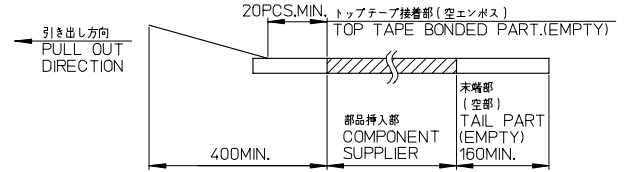
10 9 8 7 6 5 4 3 2 1

F
E
D
C
B
A



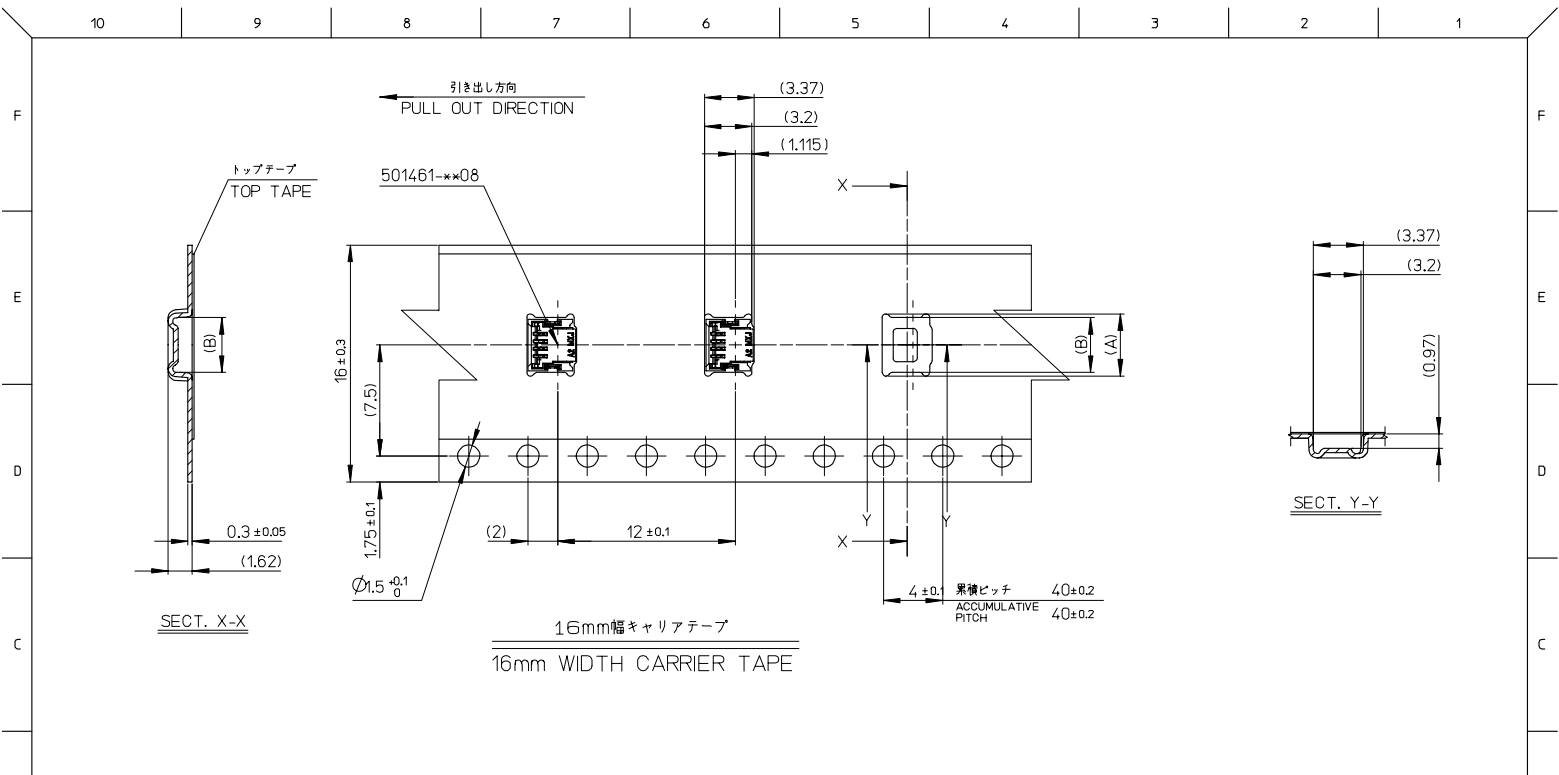
NOTES

- 1.製品詳細寸法については製品単体図面を参照下さい。
RE DETAILED DIMENSION, SEE PRODUCT DRAWING.
- 2.梱包数量: 3000個/リール
NUMBER OF CONNECTORS 3000PCS/REEL
- 3.リードテープ長さ
LEAD TAPE LENGTH



- 4.材料
MATERIAL
キャリアテープ(CARRIRE TAPE): ポリスチレン (POLYSTYRENE)
トップテープ(TOP TAPE): PET, PE, PEF
リール(REEL): ポリスチレン (PS) <リサイクル材を含む>
POLYSTYRENE(PS) <RECYCLE MATERIAL CONTAINED>
- 5.ELV及びRoHS適合品。
ELV AND RoHS COMPLIANT.

RELEASED EC NO: J2008-0606 DRAWN BY: A0YAGI CHKD: HARUYAMA APP: NIKITA	2007/09/06	2007/09/10	2007/09/10	GENERAL TOLERANCES (UNLESS SPECIFIED)	MM ONLY	SCALE ---	501461-**-02	MODEL NO.
	DESCRIPTION	10 UNDER	±0.2	DRAWN BY Y. A0YAGI	DATE 2007/09/05	TITLE 0.5 FPC CONN BACK FLIP H=0.8 EMBSTP PKG	DESIGN UNITS METRIC	THIRD ANGLE PROJECTION
		10 OVER	±0.25	CHECKED BY T. HARUYAMA	DATE 2007/09/05			
		30 OVER	±0.3	APPROVED BY N. UKITA	DATE 2007/09/05			
	ANGULAR	±1						
	DRAFT WHERE APPLICABLE MUST REMAIN WITHIN DIMENSIONS				MATERIAL NO. SEE SHEET 2	DOCUMENT NO. SD-501461-004		SHEET NO. 1 OF 2



16	21.4	17.4	5.7	6.2	501461-0802	8
キャリアテープ幅 CARRIER TAPE WIDTH	D	C	(B)	(A)	MATERIAL NO.	極数 CIRCUITS

RELEASED EC NO: J2008-0606 DRAWN BY: Y.AOYAGI CHKD: T.HARUYAMA APPR: N.UKITA 2007/09/06 2007/09/10 2007/09/10	GENERAL TOLERANCES (UNLESS SPECIFIED)	DIMENSION STYLE MM ONLY	SCALE ---	DESIGN UNITS METRIC	MODEL NO. 501461-**02
	10 UNDER ±0.2	DRAWN BY Y.AOYAGI	DATE 2007/09/05	TITLE 0.5 FPC CONN BACK FLIP H=0.8 EMBSTP PKG	
	10 OVER 30 UNDER ±0.25	CHECKED BY T.HARUYAMA	DATE 2007/09/05	MOLEX INCORPORATED	
	30 OVER ±0.3	APPROVED BY N.UKITA	DATE 2007/09/05	DOCUMENT NO. SD-501461-004	
ANGULAR ±1°	MATERIAL NO. SEE TABLE	SHEET NO. 2 OF 2		INCORPORATED AND SHOULD NOT BE USED WITHOUT WRITTEN PERMISSION	
DRAFT WHERE APPLICABLE MUST REMAIN WITHIN DIMENSIONS		EN-02JA(021)			