

Excellent Integrated System Limited

Stocking Distributor

Click to view price, real time Inventory, Delivery & Lifecycle Information:

[Molex Connector Corporation](#)
[5015310210](#)

For any questions, you can email us directly:
sales@integrated-circuit.com

10 9 8 7 6 5 4 3 2 1

注記 NOTES

1. 使用材料 MATERIAL

ウェハ: 液晶ポリマー (LCP) ガラス充填 UL94V-0 (黒)
WAFER: LIQUID CRYSTAL POLYMER (GLASS FILLED)
UL94V-0 (COLOR:BLACK)

ピン: 黄銅 (t=0.1)
PIN: BRASS (t=0.1)

金具: 0.6青銅 (t=0.12)
FITTING NAIL: PHOSPHOR BRONZE (t=0.12)

2. メッキ仕様 PLATING

ピン PIN

金メッキ 0.2 マイクロメートル以上 (コンタクト部)
GOLD 0.2MICROMETER MINIMUM (CONTACT AREA)

金メッキ 0.4 マイクロメートル以下 (テール部)
GOLD 0.4 MICROMETER MAXIMUM (TAIL AREA)

下地メッキ: ニッケルメッキ 1.5 マイクロメートル以上
UNDER PLATING: NICKEL 1.5MICROMETER MINIMUM

金具 FITTING NAIL

半田付け処理 (金・パラジウムコート)
SOLDERABILITY IMPROVEMENT COAT (Au & Pd-Ni COAT)

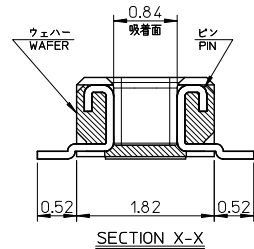
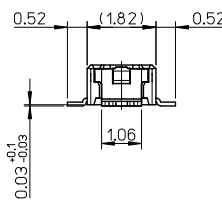
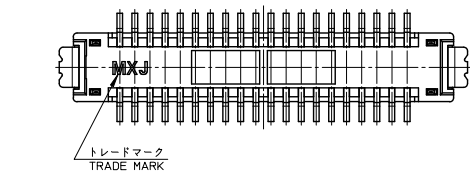
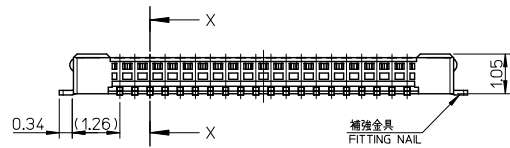
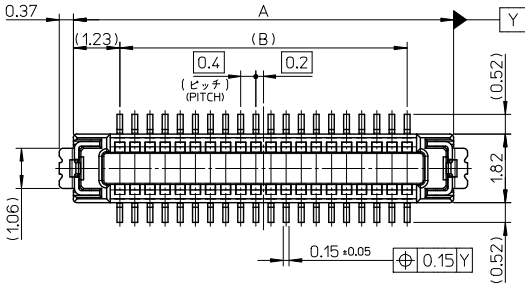
下地メッキ: ニッケルメッキ 1.0 マイクロメートル以上
UNDER PLATING: NICKEL 1.0MICROMETER MINIMUM

△ (全極数/2) = 偶数の場合に適用。
APPLY OFR (CIRCUIT/2)-EVEN.

4. 嵌合相手: 501527 シリーズ
MATE WITH: 501527 SERIES.

5. テール平坦度は、0.08 以下

テール及び金具の平坦度は、0.1 以下
TAIL COPLANARITY TO BE 0.08MAXIMUM
TAIL AND FITTING NAIL
COPLANARITY TO BE 0.1MAXIMUM

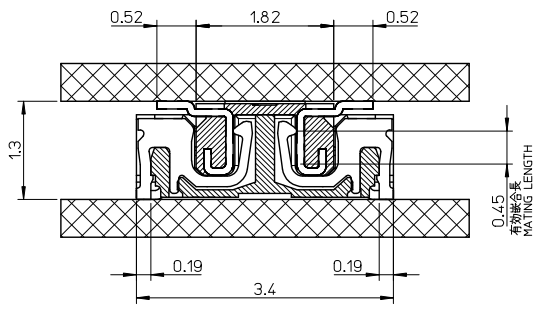


9.6	12.06	501531-0510	501531-0519	50
7.6	10.06	501531-0410	501531-0419	40
6.4	8.86	501531-3410	501531-3419	34
6.0	8.46	501531-3210	501531-3219	32
5.6	8.06	501531-0310	501531-0319	30
3.6	6.06	501531-0210	501531-0219	20
B	A	EMBOSSED TAPE PKG.	MATERIAL No.	CKT
		ORDER No. オーダー番号	MODEL No. : 501531-***19	

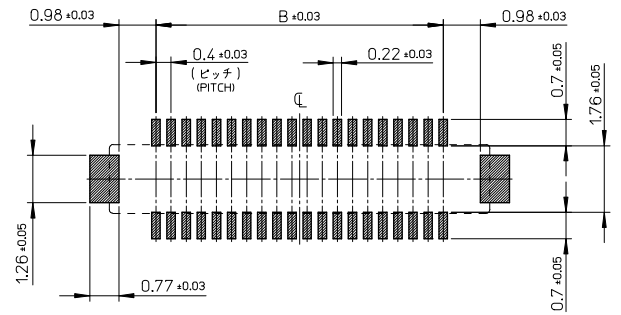
REVISED EC NO. J2016-1237 DRAWN: NISHIKAWA CHK: YUJITO APPR: YUJITO 2016/06/09 2016/06/09 2016/06/16	GENERAL TOLERANCES (UNLESS SPECIFIED)		DIMENSION STYLE		TITLE 0.4 B-TO-B CONN. HGT=1.3 PLUG ASSY [OVERMOLD] -LEAD FREE- molex DOCUMENT NO. SD-501531-001 SHEET NO. 1 OF 2
	0.25 UNDER	± 0.03	MM ONLY		
	0.25 OVER	± 0.05	DRAWN BY RTAKEUCHI DATE 2005/10/25		
	0.5 UNDER	± 0.1	CHECKED BY THIRATA DATE 2005/10/25		
1.0 OVER	± 0.2	APPROVED BY MSASAO DATE 2005/10/25		SCALE 10:1 DESIGN UNITS METRIC THIRD ANGLE PROJECTION	
10 OVER	± 0.25	MATERIAL NO.			
30 OVER	± 0.3	ANGULAR ± 3 °		SEE CHART	
DRAFT WHERE APPLICABLE MUST REMAIN WITHIN DIMENSIONS		SIZE A3		THIS DRAWING CONTAINS INFORMATION THAT IS PROPRIETARY TO MOLEX ELECTRONIC TECHNOLOGIES, LLC AND SHOULD NOT BE USED WITHOUT WRITTEN PERMISSION	

9 8 7 6 5 4 3 2 1

10 9 8 7 6 5 4 3 2 1



嵌合断面図 (参考)
MATED DRAWING (REFERENCE)



参考基板レイアウト (マウント面)
P.C.BOARD PATTERN DIMENSION (REFERENCE)
(MOUNTING AREA)

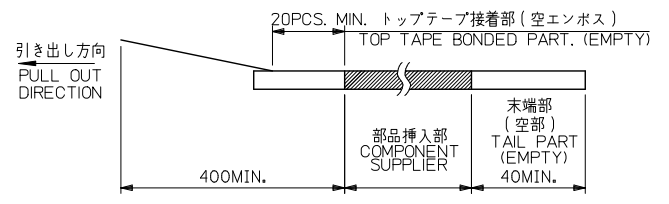
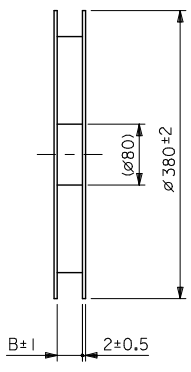
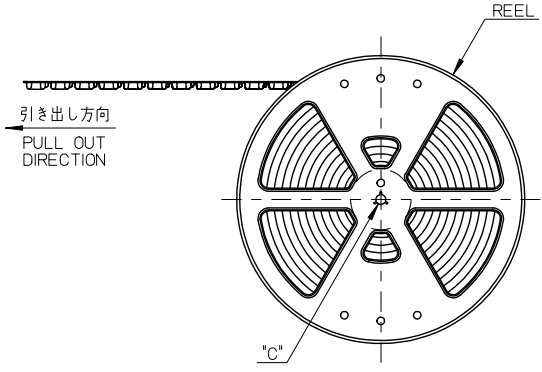
REVISED EC NO.: J2016-1237 DRAWN: MIKIKAWA CHKD: YUJITO APPR: YUJITO	GENERAL TOLERANCES (UNLESS SPECIFIED)			DIMENSION STYLE		SCALE	DESIGN UNITS	THIRD ANGLE PROJECTION
				MM ONLY		10:1	METRIC	
	0.25 UNDER		±0.03	DRAWN BY	DATE	TITLE		
	0.25 OVER	0.5 UNDER	±0.05	RTAKEUCHI	2005/10/25	0.4 B-TO-B CONN. HGT=1.3 PLUG ASSY [OVERMOLD] -LEAD FREE-		
	0.5 OVER	1.0 UNDER	±0.1	CHECKED BY	DATE	molex DOCUMENT NO. SD-501531-001 SHEET NO. 2 OF 2		
1.0 OVER	10 UNDER	±0.2	THIRATA	2005/10/25				
10 OVER	30 UNDER	±0.25	APPROVED BY	DATE				
30 OVER		±0.3	MSASAO	2005/10/25				
ANGULAR	±3 °		MATERIAL NO.					
DRAFT WHERE APPLICABLE MUST REMAIN WITHIN DIMENSIONS			SIZE	THIS DRAWING CONTAINS INFORMATION THAT IS PROPRIETARY TO MOLEX ELECTRONIC TECHNOLOGIES, LLC AND SHOULD NOT BE USED WITHOUT WRITTEN PERMISSION				
			A3	SEE SHEET 1				

9 8 7 6 5 4 3 2 1

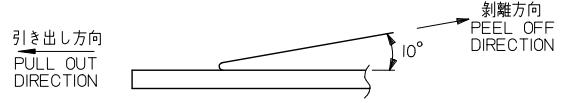
10 9 8 7 6 5 4 3 2 1

注記 NOTES

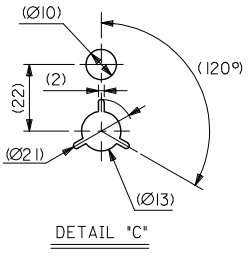
- 製品詳細寸法については製品単体図面を参照下さい。
RE DETAILED DIMENSION, SEE PRODUCT DRAWING.
- 梱包数量: 6000 個/リール
NUMBER OF CONNECTORS: 6000PCS/REEL
- リードテープ長さ LEAD TAPE LENGTH



- トップテープの剥離強度: JES-59 参照
剥離方向は下図参照。
PEELING OFF STRENGTH OF TOP TAPE: REFER TO JES-59
PEELING DIRECTION AS SHOWN IN FOLLOWING FIGURE.



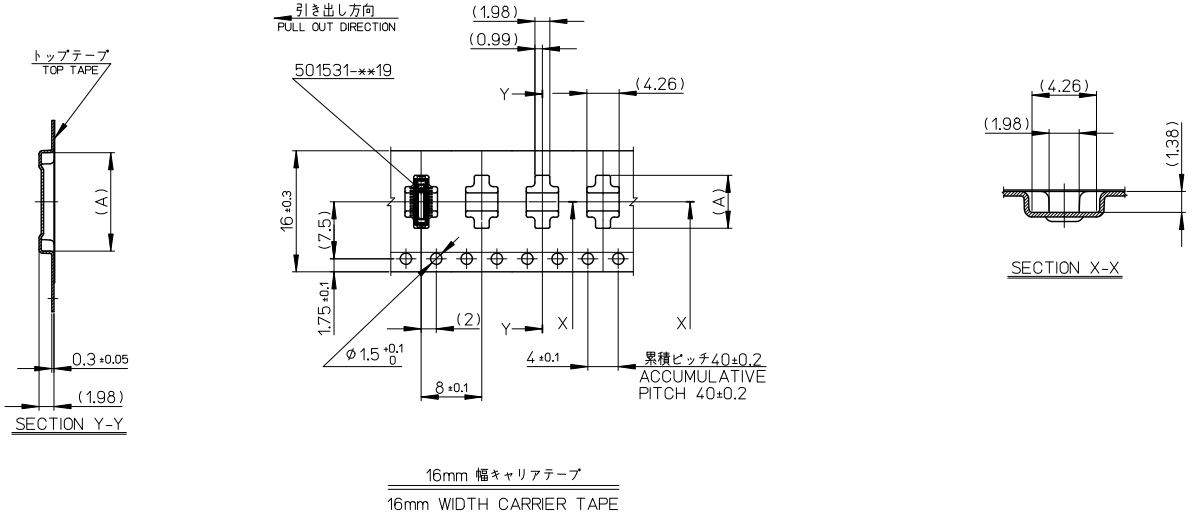
- 材料 MATERIAL
キャリアテープ (CARRIER TAPE): ポリスチレン (POLYSTYRENE)
トップテープ (TOP TAPE): PET, PE, PEF
リール (REEL): ポリスチレン (PS) <リサイクル材を含む>
POLYSTYRENE (PS) <RECYCLE MATERIAL CONTAINED>



REVISED EC NO. J2016-1237 DRAWN BY SHIKAWA 2016/06/09 CHKD: Y01TO 2016/06/09 APPR: Y01TO 2016/06/16	GENERAL TOLERANCES (UNLESS SPECIFIED)		DIMENSION STYLE MM ONLY		SCALE ---	DESIGN UNITS METRIC	MODEL NO. 501531-***10
	0.25 UNDER	UNDER	±0.03	DRAWN BY	DATE	TITLE	0.4 B-TO-B CONN. HGT=1.3 PLUG ASSY EMBSTP PKG -LEAD FREE- molex
	0.25 OVER	0.5 UNDER	±0.05	RTAKEUCHI	2005/10/27		
	0.5 OVER	4.0 UNDER	±0.1	THIRATA	2005/10/27		
1.0 OVER	10 UNDER	±---	APPROVED BY	DATE			
10 OVER	30 UNDER	±---	MSASAO	2005/10/27			
30 OVER		±---					
ANGULAR	±---		SEE CHART			DOCUMENT NO. SD-501531-002	SHEET NO. 1 OF 3
DRAFT WHERE APPLICABLE MUST REMAIN WITHIN DIMENSIONS				SIZE A3	THIS DRAWING CONTAINS INFORMATION THAT IS PROPRIETARY TO MOLEX ELECTRONIC TECHNOLOGIES, LLC AND SHOULD NOT BE USED WITHOUT WRITTEN PERMISSION		

9 8 7 6 5 4 3 2 1

10 9 8 7 6 5 4 3 2 1



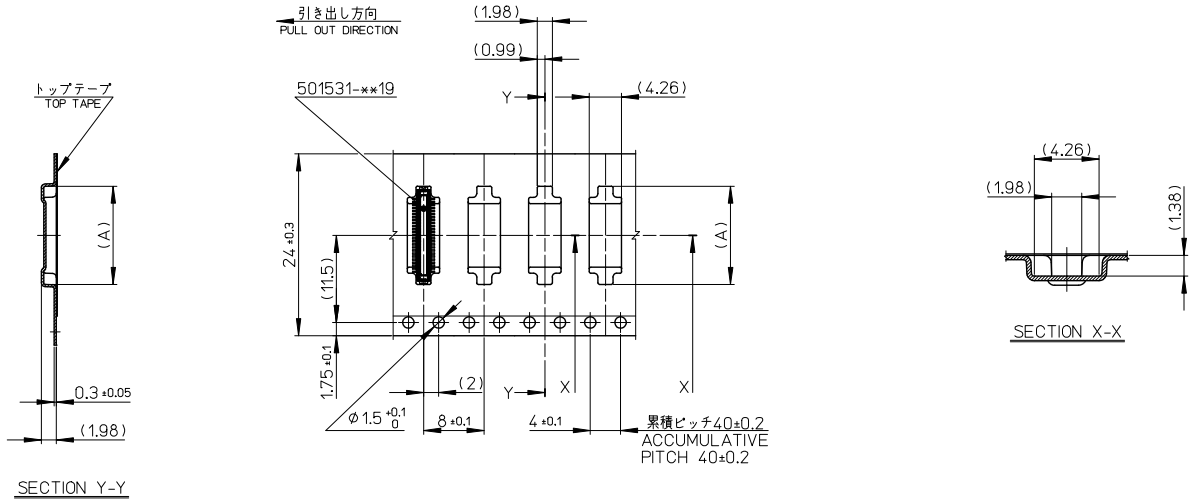
16mm 幅キャリアテープ
16mm WIDTH CARRIER TAPE

16	17.5	6.96	501531-0210	20
キャリアテープ幅 CARRIER TAPE WIDTH		B	(A)	
			MATERIAL No.	501531-0210
			MODEL No.	501531-0210

REVISED IEC NO. J2016-1237 DRAWN BY SHIKAWA 2016/06/09 CHKD: Y010 2016/06/09 APPR: Y010 2016/06/16	GENERAL TOLERANCES (UNLESS SPECIFIED)		DIMENSION STYLE		SCALE	DESIGN UNITS	THIRD ANGLE PROJECTION 0.4 B-TO-B CONN. HGT=1.3 PLUG ASSY EMBSTP PKG -LEAD FREE- molex DOCUMENT NO. SD-501531-002 SHEET NO. 2 OF 3
	0.25 UNDER	UNDER	±0.03	MM ONLY	---	METRIC	
	0.25 OVER	0.5 UNDER	±0.05	DRAWN BY DATE	TITLE		
	0.5 OVER	1.0 UNDER	±0.1	RTAKEUCHI 2005/10/27	0.4 B-TO-B CONN. HGT=1.3 PLUG ASSY EMBSTP PKG -LEAD FREE-		
	1.0 OVER	10 UNDER	±---	CHECKED BY DATE	MATERIAL NO.		
10 OVER	30 UNDER	±---	THIRATA 2005/10/27	MATERIAL NO.			
30 OVER		±---	APPROVED BY DATE	MATERIAL NO.			
ANGULAR	±---	°	MSASAO 2005/10/27	MATERIAL NO.			
DRAFT WHERE APPLICABLE MUST REMAIN WITHIN DIMENSIONS			SEE CHART	MATERIAL NO.			

9 8 7 6 5 4 3 2 1

10 9 8 7 6 5 4 3 2 1



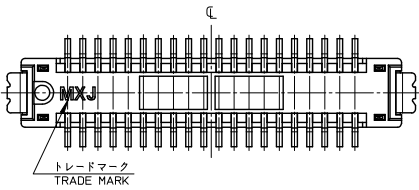
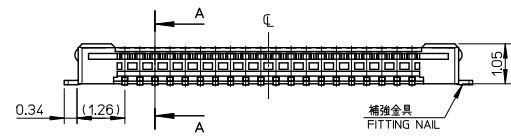
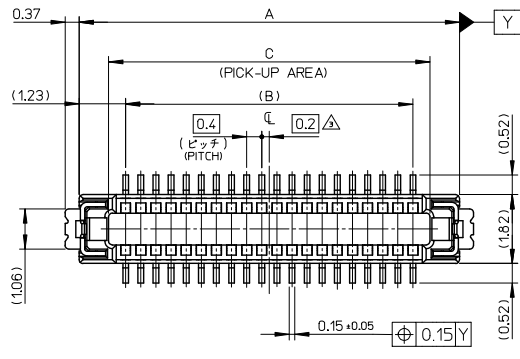
24mm 幅キャリアテープ
24mm WIDTH CARRIER TAPE

24	25.5	12.96	501531-0510	50	
		10.96	501531-0410	40	
		9.76	501531-3410	34	
		9.36	501531-3210	32	
		8.96	501531-0310	30	
キャリアテープ幅 CARRIER TAPE WIDTH		B	(A)	MATERIAL No.	CKT.
			MODEL No.	501531-**10	

REVISED EC NO. J2016-1237 DRAWN BY SHIKAWA 2016/06/09 CHKD: Y01TO 2016/06/09 APPR: Y01TO 2016/06/16	GENERAL TOLERANCES (UNLESS SPECIFIED)		DIMENSION STYLE		SCALE	DESIGN UNITS	THIRD ANGLE PROJECTION
	0.25 UNDER	UNDER	±0.03	MM ONLY	---	METRIC	
	0.25 OVER	0.5 UNDER	±0.05	DRAWN BY	DATE	TITLE	
	0.5 OVER	4.0 UNDER	±0.1	RTAKEUCHI	2005/10/27	0.4 B-TO-B CONN. HGT=1.3 PLUG ASSY EMBSTP PKG -LEAD FREE-	
	1.0 OVER	10 UNDER	±---	CHECKED BY	DATE		
3.0 OVER	30 UNDER	±---	THIRATA	2005/10/27			
	ANGULAR	±--- °	APPROVED BY	DATE			
			MSASAO	2005/10/27			
	DRAFT WHERE APPLICABLE MUST REMAIN WITHIN DIMENSIONS		SEE CHART		MATERIAL NO.	DOCUMENT NO.	
			SIZE		SD-501531-002		SHEET NO.
			A3				3 OF 3

9 8 7 6 5 4 3 2 1

10 9 8 7 6 5 4 3 2 1



注記 NOTES

1. 使用材料 MATERIAL

ハウジング: 液晶ポリマー (LCP) ガラス充填 UL94V-0 (黒)
HOUSING: LIQUID CRYSTAL POLYMER (GLASS FILLED)
UL94V-0 (COLOR:BLACK)

ターミナル: 真鍮 (t=0.1)
TERMINAL: BRASS (t=0.1)

金具: 0.6青銅 (t=0.12)
FITTING NAIL: PHOSPHOR BRONZE (t=0.12)

2. メッキ仕様 PLATING

ターミナル TERMINAL

コンタクト部: 金メッキ 0.1 マイクロメートル以上
CONTACT AREA: GOLD 0.1 MICROMETER MINIMUM

テール部: 金メッキ
TAIL AREA: GOLD

下地メッキ: ニッケルメッキ 1.5 マイクロメートル以上
UNDER PLATING: NICKEL 1.5 MICROMETER MINIMUM

金具 FITTING NAIL

半田付け処理 (金・パラジウムコート)
SOLDERABILITY IMPROVEMENT COAT (Au & Pd-Ni COAT)

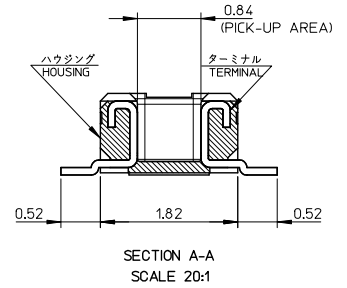
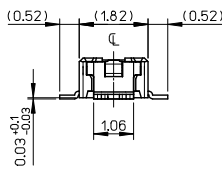
下地メッキ: ニッケルメッキ 1.0 マイクロメートル以上
UNDER PLATING: NICKEL 1.0 MICROMETER MINIMUM

△ (全極数/2) = 偶数の場合に適用。
APPLY FOR (CIRCUIT/2)-EVEN.

4. 嵌合相手: 505225 シリーズ
MATE WITH: 505225 SERIES.

5. テール平坦度は、0.08 以下
テール及び金具の平坦度は、0.1 以下
TAIL COPLANARITY TO BE 0.08 MAXIMUM
TAIL AND FITTING NAIL
COPLANARITY TO BE 0.1 MAXIMUM

6. ELV & RoHS 適合品。
ELV and RoHS COMPLIANT.

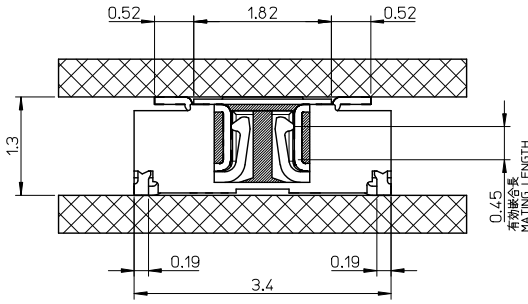


18.5	17.6	20.06	505226-0900	90
C	B	A	EMBOSSED PACKAGE	極数
			オーダー番号 ORDER No.	CIRCUITS
CONNECTOR SERIES No.505226-**09				

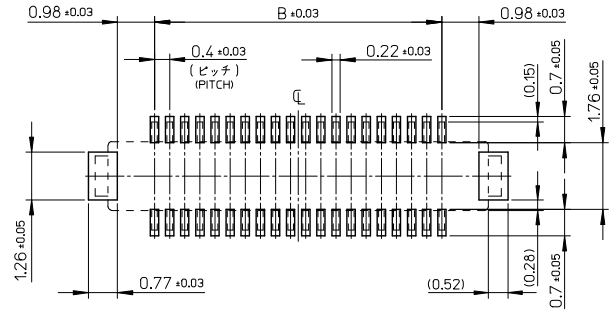
RELEASED IEC NO: J2015-0069 DRAWN: JFURUKAWA 2014/07/14 CHKCD: TASAKAWA 2014/07/14 APPR: KMORIKAWA 2014/12/08 REV: 0	GENERAL TOLERANCES (UNLESS SPECIFIED)		DIMENSION STYLE	SCALE	DESIGN UNITS	TITLE 0.4 B-TO-B CONN. HGT=1.3 PLUG ASSY [OVERMOLD] -LEAD FREE- molex DOCUMENT NO. SD-505226-001 SHEET NO. 1 OF 2
	10 UNDER	± 0.2	MM ONLY	10:1	METRIC	
	10 OVER 30 UNDER	± 0.25				
	30 OVER	± 0.3				
	ANGULAR	± 3 °				
	DRAFT WHERE APPLICABLE MUST REMAIN WITHIN DIMENSIONS		MATERIAL NO.	THIRD ANGLE PROJECTION		
			SEE TABLE			
			THIS DRAWING CONTAINS INFORMATION THAT IS PROPRIETARY TO MOLEX INCORPORATED AND SHOULD NOT BE USED WITHOUT WRITTEN PERMISSION			

9 8 7 6 5 4 3 2 1

10 9 8 7 6 5 4 3 2 1



嵌合断面図 (参考)
MATED DRAWING (REFERENCE)



参考基板レイアウト (マウント面)
P.C. BOARD PATTERN DIMENSION (REFERENCE)
(MOUNTING AREA)

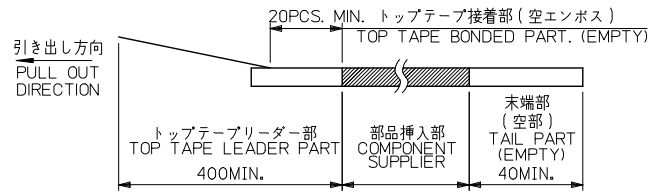
メタルマスク厚: 0.1
METAL MASK THICKNESS: 0.1
開口率: 100%
APERTURE RATIO: 100%

RELEASED EC NO. J2015-0069 DRAWN: JFURUKAWA 2014/07/14 CHKD: TASAKAWA 2014/07/14 APPR: KMORIKAWA 2014/12/08	GENERAL TOLERANCES (UNLESS SPECIFIED)		DIMENSION STYLE MM ONLY	SCALE 10:1	DESIGN UNITS METRIC	THIRD ANGLE PROJECTION
	10 UNDER	± 0.2	DRAWN BY JFURUKAWA	DATE 2014/07/14	TITLE 0.4 B-TO-B CONN. HGT=1.3 PLUG ASSY [OVERMOLD] -LEAD FREE-	
	10 OVER 30 UNDER	± 0.25	CHECKED BY TASAKAWA	DATE 2014/07/14	molex	
	30 OVER	± 0.3	APPROVED BY KMORIKAWA	DATE 2014/12/08		
0	ANGULAR ± 3 °	MATERIAL NO. SEE SHEET 1		DOCUMENT NO. SD-505226-001	SHEET NO. 2 OF 2	
	DRAFT WHERE APPLICABLE MUST REMAIN WITHIN DIMENSIONS		THIS DRAWING CONTAINS INFORMATION THAT IS PROPRIETARY TO MOLEX INCORPORATED AND SHOULD NOT BE USED WITHOUT WRITTEN PERMISSION			

9 8 7 6 5 4 3 2 1

注記 NOTES

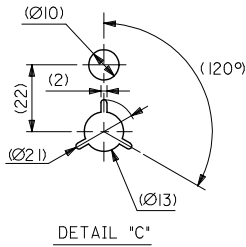
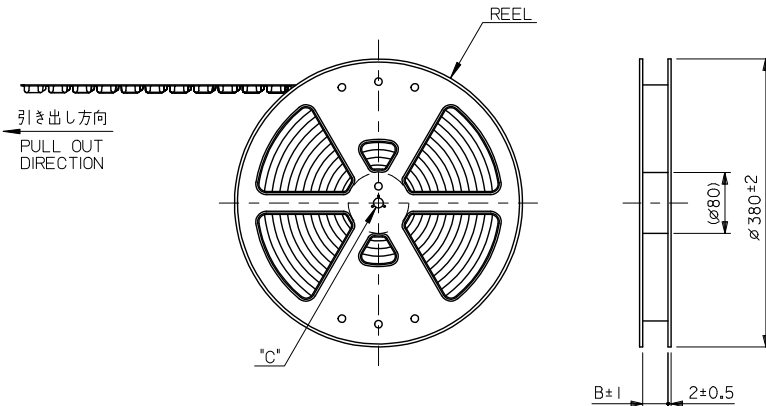
1. 製品詳細寸法については、SD-505226-001 を参照下さい。
RE DETAILED DIMENSION, SEE SALES DRAWING FOR CONNECTOR.
2. 梱包数量: 6000 個/リール
NUMBER OF CONNECTORS : 6000 PCS/REEL
3. リードテープ長さ LEAD TAPE LENGTH



4. トップテープの剥離強度については、IEC60286-3 に準拠。
COVER TAPE PEEL FORCE IS DEFINED BY IEC60286-3.

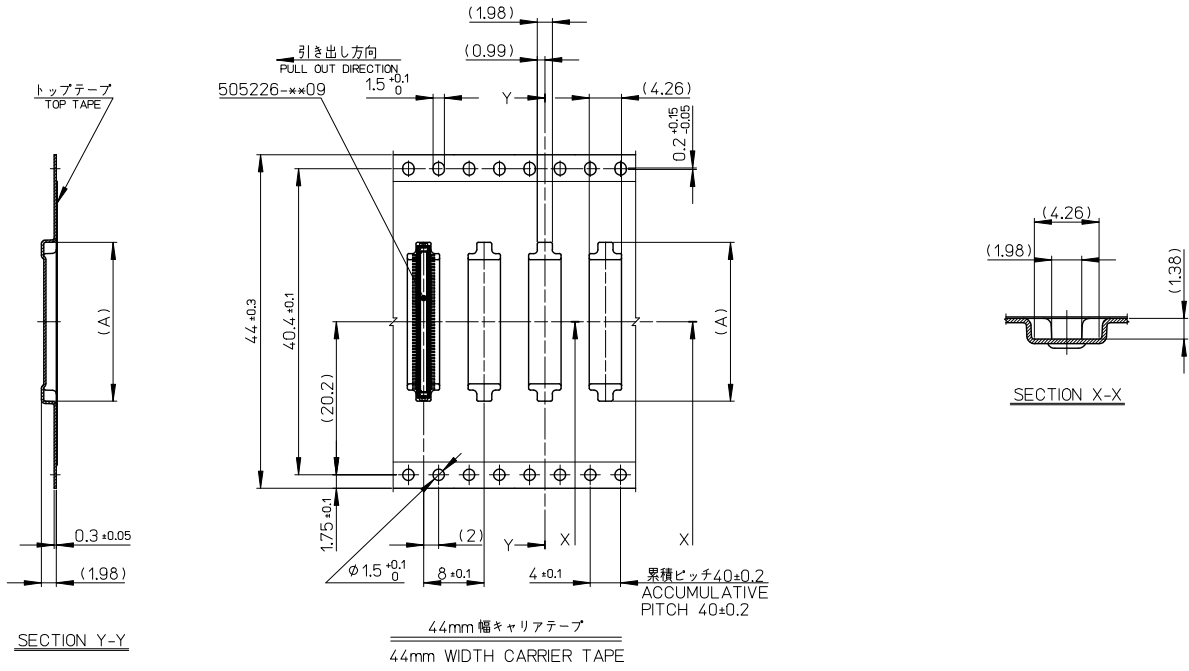
5. 材料 MATERIAL
キャリアテープ: ポリスチレン (PS)
CARRIER TAPE: POLYSTYRENE (PS)
トップテープ: PET, PE, PEF
TOP TAPE: PET, PE, PEF
リール: PS <リサイクル材を含む>
REEL: PS <RECYCLE MATERIAL CONTAINED>

6. ELV & RoHS 適合品
ELV AND RoHS COMPLIANT.



RELEASED EC NO.: J2015-0069 DRWN: JFURUKAWA 2014/07/15 CHKD: TASAKAWA 2014/07/15 APPR: KMORIKAWA 2014/12/08	GENERAL TOLERANCES (UNLESS SPECIFIED)		DIMENSION STYLE	SCALE	MODEL NO.	505226-000
			MM ONLY	---	DESIGN UNITS	METRIC
	10 UNDER	±---	DRAWN BY	DATE	TITLE	
	10 OVER	±---	JFURUKAWA	2014/07/15	0.4 B-TO-B CONN. HGT=1.3 PLUG ASSY EMBSTP PKG -LEAD FREE-	
30 UNDER	±---	CHECKED BY	DATE	MATERIAL NO.		SHEET NO.
30 OVER	±---	TASAKAWA	2014/07/15	SEE CHART		1 OF 2
ANGULAR	±---	APPROVED BY	DATE	DOCUMENT NO.		
DRAFT WHERE APPLICABLE MUST REMAIN WITHIN DIMENSIONS		KMORIKAWA		SD-505226-002		
		2014/12/08		THIS DRAWING CONTAINS INFORMATION THAT IS PROPRIETARY TO MOLEX INCORPORATED AND SHOULD NOT BE USED WITHOUT WRITTEN PERMISSION		

10 9 8 7 6 5 4 3 2 1



44	45.5	20.96	505226-0900	90
キャリアテープ幅		B	MATERIAL No. CKT.	
CARRIER TAPE WIDTH		(A)	MODEL No. 505226-**00	

RELEASED EC No. J2015-0069 DRWN: JFURUKAWA 2014/07/15 CHKD: TASAKAWA 2014/07/15 APPR: KMORIKAWA 2014/12/08 REV: 0	GENERAL TOLERANCES (UNLESS SPECIFIED)		DIMENSION STYLE	SCALE	DESIGN UNITS	THIRD ANGLE PROJECTION
	10 UNDER	±---	MM ONLY	---	METRIC	
	10 OVER	±---	DRAWN BY	DATE	TITLE	
	30 UNDER	±---	JFURUKAWA	2014/07/15	0.4 B-TO-B CONN. HGT=1.3 PLUG ASSY EMBSTP PKG -LEAD FREE-	
30 OVER	±---	CHECKED BY	DATE	DOCUMENT NO.		SHEET NO.
ANGULAR	±---	TASAKAWA	2014/07/15	SD-505226-002		2 OF 2
DRAFT WHERE APPLICABLE MUST REMAIN WITHIN DIMENSIONS		APPROVED BY	DATE	SEE CHART		
		KMORIKAWA	2014/12/08	THIS DRAWING CONTAINS INFORMATION THAT IS PROPRIETARY TO MOLEX INCORPORATED AND SHOULD NOT BE USED WITHOUT WRITTEN PERMISSION		

9 8 7 6 5 4 3 2