

## Excellent Integrated System Limited

Stocking Distributor

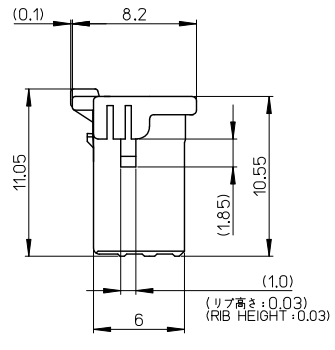
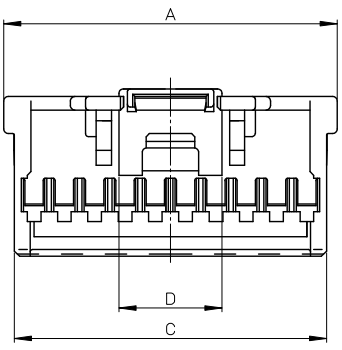
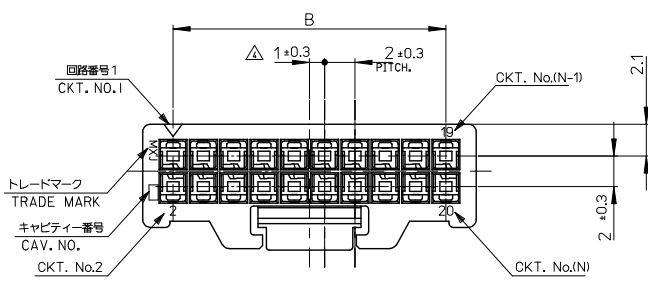
Click to view price, real time Inventory, Delivery & Lifecycle Information:

[Molex Connector Corporation](#)  
[5016464000](#)

For any questions, you can email us directly:

[sales@integrated-circuit.com](mailto:sales@integrated-circuit.com)

10 9 8 7 6 5 4 3 2 1



注記 NOTES

- 材料 MATERIAL  
ハウジング : 66ナイロン, UL94V-0  
HOUSING : 66NYLON, UL94V-0
- 嵌合相手 MATES WITH
 

PLUG ST HEADER (TIN PLATING)	501645 SERIES
PLUG ST HEADER (GOLD PLATING)	503091 SERIES
PLUG R/A HEADER (TIN PLATING)	501876 SERIES

3. 適合ターミナル APPLICABLE TERMINAL

REC. CRIMP TERMINAL (AWG #22-26) (TIN PLATING)	501647 SERIES
REC. CRIMP TERMINAL (AWG #26-#28) (TIN PLATING)	501648 SERIES
REC. CRIMP TERMINAL (AWG #26-28) (GOLD PLATING)	503095 SERIES

△ (全極数/2) = 偶数の場合に適用. APPLY FOR (CIRCUIT/2)=EVEN

△ 製品番号 MATERIAL No. 501646-\*\*0\*

極数 CIRCUIT SIZE 色 COLOR

6. ELV及び RoHS 適合品 ELV AND RoHS COMPLIANT.

ナチュラル NATURAL	0
黒 BLACK	1
赤 RED	2
黄 YELLOW	3
青 BLUE	4
桃 PINK	5
緑 GREEN	6
茶 BROWN	7
橙 ORANGE	8
紫 VIOLET	9

6.8	40.6	38	42	501646-400*	40
6.8	38.6	36	40	-380*	38
6.8	36.6	34	38	-360*	36
6.8	34.6	32	36	-340*	34
6.8	32.6	30	34	-320*	32
6.8	30.6	28	32	-300*	30
6.8	28.6	26	30	-280*	28
6.8	26.6	24	28	-260*	26
6.8	24.6	22	26	-240*	24
6.8	22.6	20	24	-220*	22
6.8	20.6	18	22	-200*	20
6.8	18.6	16	20	-180*	18
6.8	16.6	14	18	-160*	16
6.8	14.6	12	16	-140*	14
6.8	12.6	10	14	-120*	12
5.1	10.6	8	12	501646-100*	10

REVISED EC NO. J2017-0032 DRAWN BY DRW:NAIDA 2016/07/01 CHKD:SAKIYAMA 2016/07/01 APPR:IKANEKO 2016/07/12	GENERAL TOLERANCES (UNLESS SPECIFIED)			DIMENSION STYLE		SCALE	DESIGN UNITS	THIRD ANGLE PROJECTION	
				MM ONLY		4:1	METRIC		
	0.25 UNDER	UNDER	±0.03	DRAWN BY	DATE	TITLE			
	0.25 OVER	0.5 UNDER	±0.05	N. ITO	'05/07/04	IGRID 2.0MM W/B DUAL RCPT HSG			
	0.5 OVER	1.0 UNDER	±0.1	CHECKED BY	DATE				
	1.0 OVER	10 UNDER	±0.2	ASAKAWA	'05/07/04				
10 OVER	30 UNDER	±0.25	APPROVED BY	DATE	MATERIAL NO.		DOCUMENT NO.	SHEET NO.	
30 OVER		±0.3	ICHIKAWA	'05/07/04	501646-**0*		SD-501646-001	1 OF 1	
ANGULAR	±3 °		SIZE		THIS DRAWING CONTAINS INFORMATION THAT IS PROPRIETARY TO MOLEX ELECTRONIC TECHNOLOGIES, LLC AND SHOULD NOT BE USED WITHOUT WRITTEN PERMISSION				
DRAFT WHERE APPLICABLE MUST REMAIN WITHIN DIMENSIONS			A3						

9 8 7 6 5 4 3 2 1