

Excellent Integrated System Limited

Stocking Distributor

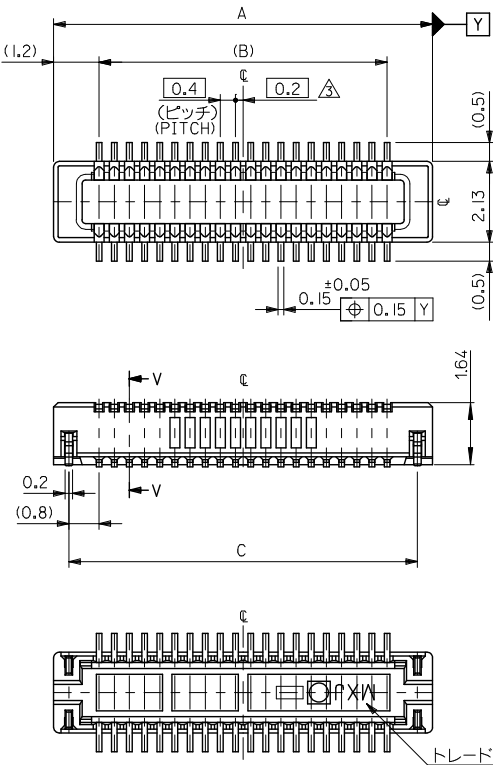
Click to view price, real time Inventory, Delivery & Lifecycle Information:

[Molex Connector Corporation](#)
[5017450601](#)

For any questions, you can email us directly:

sales@integrated-circuit.com

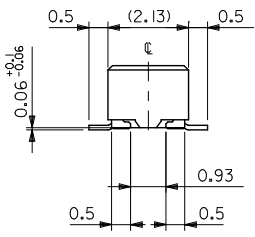
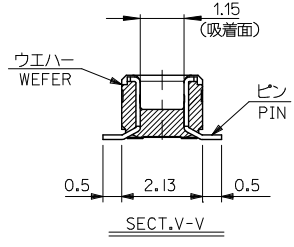
10 9 8 7 6 5 4 3 2 1



注記 NOTES:

1. 使用材料 MATERIAL
 ウェハ: 液晶ポリマー (LCP) ガラス充填 UL94V-0 (黒)
 WAFER: LIQUID CRYSTAL POLYMER (GLASS FILLED)
 UL94V-0 (COLOR: BLACK)
 ピン: 黄銅 (t=0.12)
 PIN: BRASS (t=0.12)
 金具: リン青銅 (t=0.2)
 FITTING NAIL: PHOSPHOR BRONZE (t=0.2)
2. メッキ仕様 PLATING
 ピン PIN
 金メッキ 0.2 マイクロメートル以上 (コンタクト部)
 GOLD 0.2MICROMETER MINIMUM (CONTACT AREA)
 金メッキ 0.4 マイクロメートル以下 (テール部)
 GOLD 0.4MICROMETER MAXIMUM (TAIL AREA)
 下地メッキ: ニッケルメッキ 1.5 マイクロメートル以上
 UNDER PLATING: NICKEL 1.5MICROMETER MINIMUM
 金具 FITTING NAIL
 銅メッキ 1.0 マイクロメートル以上
 TIN PLATING 1.0MICROMETER MINIMUM
 下地メッキ: ニッケルメッキ 1.0 マイクロメートル以上
 UNDER PLATING: NICKEL 1.0MICROMETER MINIMUM

- △ (全極数/2) = 偶数の場合に適用。
 APPLY FOR (CIRCUIT/2)=EVEN.
4. 嵌合相手: 51338シリーズ, 500913シリーズ
 MATE WITH: 51338 SERIES, 500913SERIES.
 5. テール平坦度は、0.08以下
 TAIL COPLANARITY TO BE 0.08MAXIMUM
 テール及び金具の平坦度は、0.1以下
 TAIL AND FITTING NAIL
 COPLANARITY TO BE 0.1 MAXIMUM
 6. ELV 及び RoHS 適合品
 ELV AND RoHS COMPLIANT.

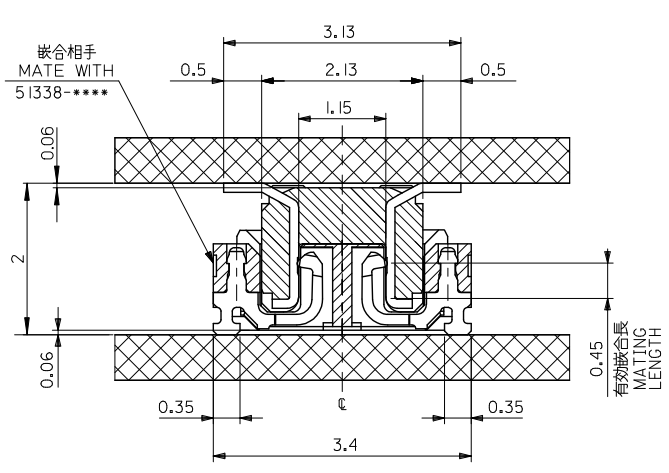


-	O	17.2	15.6	18.0	501745-0801	80
O	O	15.2	13.6	16.0	501745-0701	70
O	O	13.2	11.6	14.0	501745-0601	60
-	O	12.0	10.4	12.8	501745-0541	54
O	O	11.2	9.6	12.0	501745-0501	50
O	O	9.2	7.6	10.0	501745-0401	40
-	O	8.0	6.4	8.8	501745-0341	34
O	O	7.2	5.6	8.0	501745-0301	30
-	O	3.6	2.0	4.4	501745-9901	12
2.3	2.0				EMBOSSED PACKAGE	
MATED HEIGHT		C	B	A	ORDER NO. オート番号	CKT.

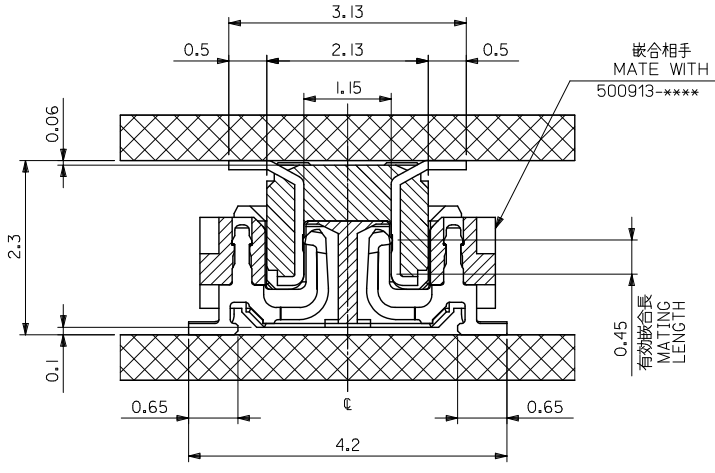
REVISED IEC NO. J2015-0594 DRAWN BY: SATO 2014/10/31 CHKD: TASHIKAWA 2014/11/05 APPR: MORIKAWA 2014/11/06 DESCRIPTION REV G	GENERAL TOLERANCES (UNLESS SPECIFIED)		DIMENSION STYLE MM ONLY		SCALE ---	DESIGN UNITS METRIC	THIRD ANGLE PROJECTION
	10 UNDER	± 0.2	DRAWN BY	DATE	TITLE		
	10 OVER 30 UNDER	± 0.25	K. SAITO	2007/03/01	0.4 B-TO-B CONN. PLUG ASSY (HGT=2/2.3) WITH NAIL		
	30 OVER	± 0.3	K. KASAHARA	2007/03/01	molex		
ANGULAR ± 3 °		APPROVED BY		DATE	DOCUMENT NO.		SHEET NO.
DRAFT WHERE APPLICABLE MUST REMAIN WITHIN DIMENSIONS		N. UKITA		2007/03/01	SD-501745-001		1 OF 2
SEE CHART				THIS DRAWING CONTAINS INFORMATION THAT IS PROPRIETARY TO MOLEX INCORPORATED AND SHOULD NOT BE USED WITHOUT WRITTEN PERMISSION			

9 8 7 6 5 4 3 2

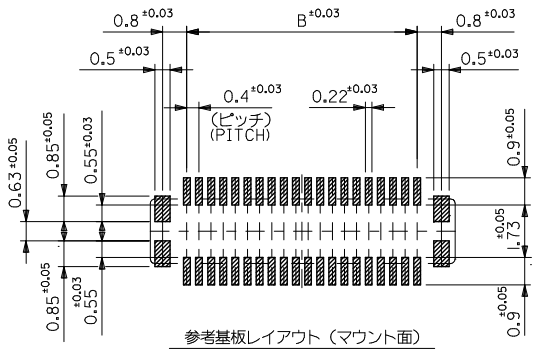
10 9 8 7 6 5 4 3 2 1



嵌合断面図 (参考)
MATED DRAWING (REFERENCE)



嵌合断面図 (参考)
MATED DRAWING (REFERENCE)



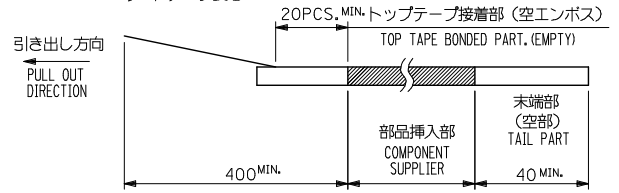
参考基板レイアウト (マウント面)
P.C. BOARD PATTERN DIMENSION.
(REFERENCE)
(MOUNTING AREA)

REVISED IEC NO. J2015-0594 DRAWN BY SATO 2014/10/31 CHKD: TASAKAWA 2014/11/05 APPR: MORIKAWA 2014/11/06 REV G	GENERAL TOLERANCES (UNLESS SPECIFIED)		DIMENSION STYLE MM ONLY		SCALE ---	DESIGN UNITS METRIC	THIRD ANGLE PROJECTION	
	10 UNDER ± 0.2	10 OVER 30 UNDER ± 0.25	30 OVER ± 0.3	ANGULAR ± 3 °	DRAFT WHERE APPLICABLE MUST REMAIN WITHIN DIMENSIONS	CONNECTOR SERIES No. 501745-****0 0.4 B-TO-B CONN. PLUG ASSY (HGT=2/2.3) WITH NAIL molex		
	SEE CHART 1		MATERIAL NO.		DOCUMENT NO. SD-501745-001		SHEET NO. 2 OF 2	
	THIS DRAWING CONTAINS INFORMATION THAT IS PROPRIETARY TO MOLEX INCORPORATED AND SHOULD NOT BE USED WITHOUT WRITTEN PERMISSION							

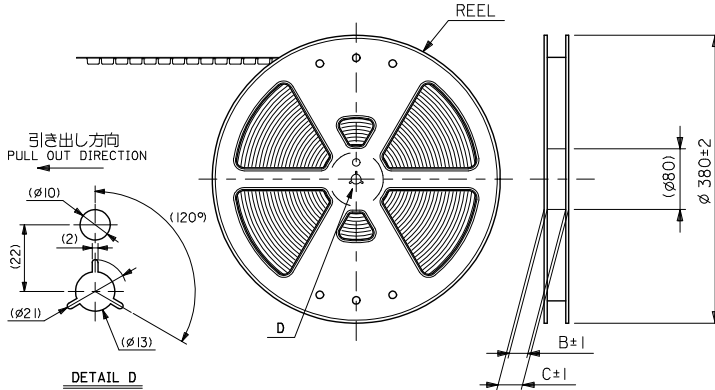
9 8 7 6 5 4 3 2

NOTES

1. 製品詳細寸法については製品単体図面を参照下さい。
RE DETAILED DIMENSION, SEE PRODUCT DRAWING.
2. 極包数量: 2500個/リール
NUMBER OF CONNECTORS : 2500PCS/REEL
3. リードテープ長さ LEAD TAPE LENGTH

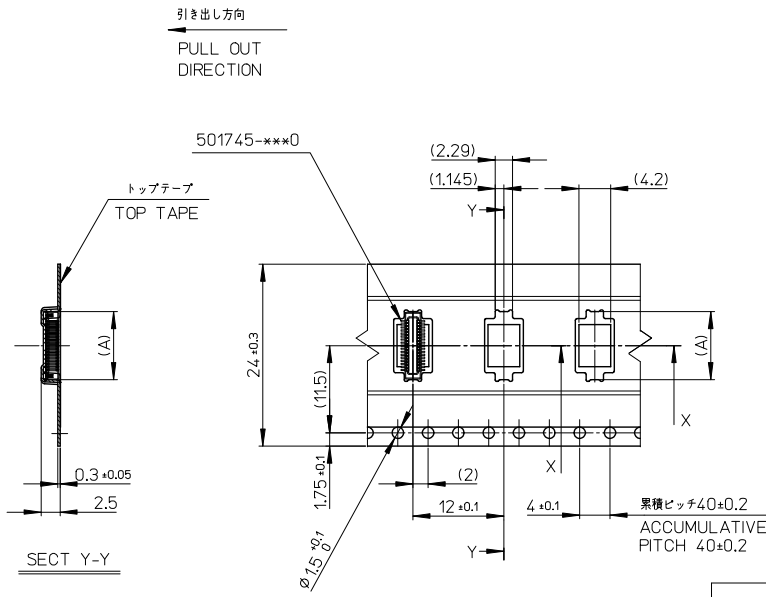


4. 材料 MATERIAL
キャリアテープ (CARRIER TAPE) : ポリスチレン (POLYSTYRENE) (30-80CKT)
ポリプロピレン (POLYPROPYLENE) (12CKT)
トップテープ (TOP TAPE) : PET, PE, PEF
リール (REEL) : ポリスチレン (PS) <リサイクル材を含む>
POLYSTYRENE (PS) <RECYCLE MATERIAL CONTAINED>
5. ELV 及び RoHS 適合品
ELV AND RoHS COMPLIANT.



REVISED EC NO. J2014-1234 DRAWN BY SATO06 2014/02/05 CHKD: TASHAWA 2014/05/09 APPR: MORIKAWA 2014/05/12	GENERAL TOLERANCES (UNLESS SPECIFIED)		DIMENSION STYLE MM ONLY	SCALE ---	DESIGN UNITS METRIC	THIRD ANGLE PROJECTION
	10 UNDER	± 0.2	DRAWN BY K. SAITO	DATE 2007/03/01	TITLE 0.4 B/B CONN. PLUG ASSY (HGT=2/2.3) EMBSTP PKG	
	10 OVER 30 UNDER	± 0.25	CHECKED BY K. KASAHARA	DATE 2007/03/01		
	30 OVER	± 0.3	APPROVED BY N. UKITA	DATE 2007/03/01		
	ANGULAR $\pm 3^\circ$	MATERIAL NO. SEE CHART		DOCUMENT NO. SD-501745-002	SHEET NO. 1 OF 4	
	DRAFT WHERE APPLICABLE MUST REMAIN WITHIN DIMENSIONS		THIS DRAWING CONTAINS INFORMATION THAT IS PROPRIETARY TO MOLEX INCORPORATED AND SHOULD NOT BE USED WITHOUT WRITTEN PERMISSION			

10 9 8 7 6 5 4 3 2 1

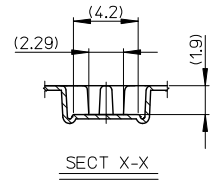
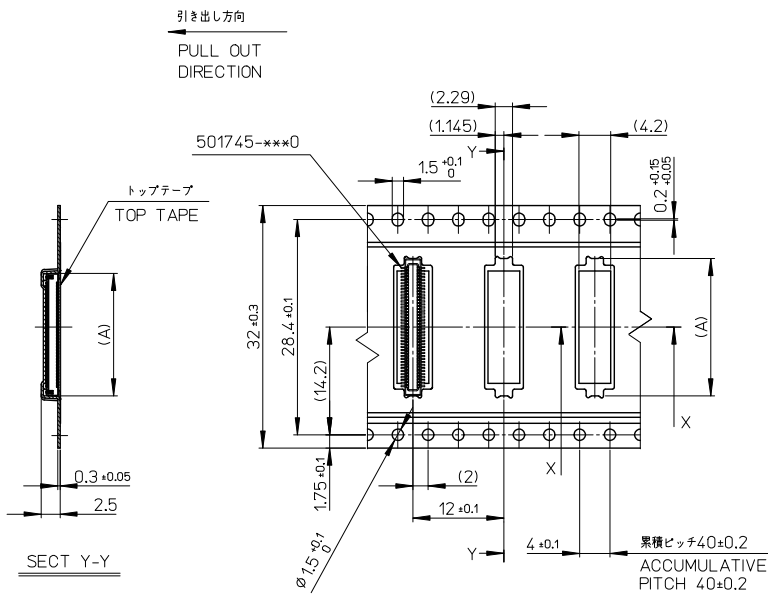


24	29.4	25.4	14.16	501745-0601	60
			12.96	501745-0541	54
			12.16	501745-0501	50
			10.16	501745-0401	40
			8.96	501745-0341	34
			8.16	501745-0301	30
キャリアテープ幅 CARRIER TAPE WIDTH			C	B	(A)
				オーダー番号 ORDER NO.	極数 CKT.

REVISED	EC NO. J2014-1234	2014/02/05	GENERAL TOLERANCES (UNLESS SPECIFIED)		DIMENSION STYLE	SCALE	DESIGN UNITS	CONNECTOR SERIES No. 501745-***0	
	DRWN: SATO06	2014/05/09	10 UNDER	± 0.2	MM ONLY	---	METRIC	THIRD ANGLE PROJECTION	
	CHKD: TSKAWA	2014/05/09	10 OVER 30 UNDER	± 0.25	DRAWN BY	DATE	TITLE		
	APPR: MORIKAWA	2014/05/12	30 OVER	± 0.3	CHECKED BY	DATE	0.4 B/B CONN. PLUG ASSY (HGT=2/2.3) EMBSTP PKG		
	REV	DESCRIPTION	ANGULAR	± 3 °	APPROVED BY	DATE	molex		
		DRAFT WHERE APPLICABLE MUST REMAIN WITHIN DIMENSIONS		MATERIAL NO.	DOCUMENT NO.	SEE CHART		SD-501745-002	SHEET NO. 2 OF 4
THIS DRAWING CONTAINS INFORMATION THAT IS PROPRIETARY TO MOLEX INCORPORATED AND SHOULD NOT BE USED WITHOUT WRITTEN PERMISSION									

9 8 7 6 5 4 3 2

10 9 8 7 6 5 4 3 2 1

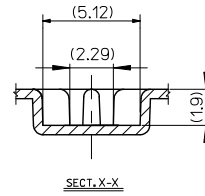
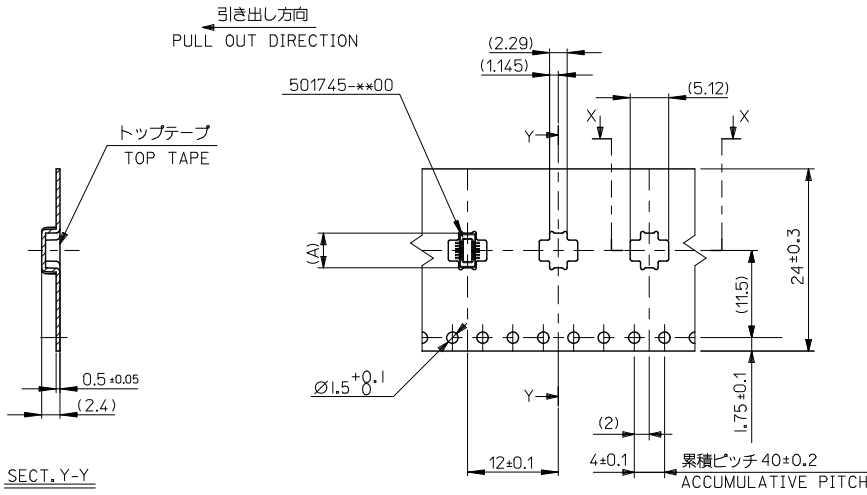


32	37.4	33.4	18.16	501745-0801	80
キャリアテープ幅 CARRIER TAPE WIDTH	C	B	(A)	501745-0701	70
				オーダー番号 ORDER NO.	極数 CKT.

REVISED IEC NO. J2014-1234 DRAWN BY SATO06 2014/02/05 CHECKED BY SASAKAWA 2014/05/09 APPROVED BY MORIKAWA 2014/05/12 DESCRIPTION	GENERAL TOLERANCES (UNLESS SPECIFIED)		DIMENSION STYLE		SCALE	DESIGN UNITS	THIRD ANGLE PROJECTION
	10 UNDER ±0.2		MM ONLY		---	METRIC	⊙ □
	10 OVER 30 UNDER ±0.25		DRAWN BY DATE		TITLE		
	30 OVER ±0.3		K. SAITO 2007/03/01		0.4 B/B CONN. PLUG ASSY (HGT=2/2.3) EMBSTP PKG		
ANGULAR ±3 °		CHECKED BY DATE		MATERIAL NO.		DOCUMENT NO.	SHEET NO.
DRAFT WHERE APPLICABLE MUST REMAIN WITHIN DIMENSIONS		K. KASAHARA 2007/03/01		SEE CHART		SD-501745-002	3 OF 4
		APPROVED BY DATE		THIS DRAWING CONTAINS INFORMATION THAT IS PROPRIETARY TO MOLEX INCORPORATED AND SHOULD NOT BE USED WITHOUT WRITTEN PERMISSION			
		N. UKITA 2007/03/01					

9 8 7 6 5 4 3 2

10 9 8 7 6 5 4 3 2 1



注記) 製品がポケット内に問題なく収まること。
NOTE. Pocket should contain product smoothly.

24	29.4	25.4	4.56	501745-9901	12
キャリアテープ幅 CARRIER TAPE WIDTH	C	B	(A)	オーダー番号 ORDER NO.	極数 CKT.

CONNECTOR SERIES No. 501745-***0

REVISED IEC NO. J2014-1234 DRAWN BY SATO06 2014/02/05 CHKD: TASHIKAWA 2014/05/09 APPR: MORIKAWA 2014/05/12 DESCRIPTION	GENERAL TOLERANCES (UNLESS SPECIFIED)		DIMENSION STYLE		SCALE		DESIGN UNITS		THIRD ANGLE PROJECTION	
	10 UNDER ±0.2		MM ONLY		1:1		METRIC		⊙ □	
	10 OVER 30 UNDER ±0.25		DRAWN BY DATE KTOYODA 2011/03/22		TITLE		0.4 B/B CONN. PLUG ASSY (HGT=2/2.3) EMBSTP PKG			
	30 OVER ±0.3		CHECKED BY DATE		APPROVED BY DATE MSASAO 2011/03/28		DOCUMENT NO. SD-501745-002			
ANGULAR ±1 °		DRAFT WHERE APPLICABLE MUST REMAIN WITHIN DIMENSIONS		MATERIAL NO.		SEE CHART		THIS DRAWING CONTAINS INFORMATION THAT IS PROPRIETARY TO MOLEX INCORPORATED AND SHOULD NOT BE USED WITHOUT WRITTEN PERMISSION		

9 8 7 6 5 4 3 2