

## Excellent Integrated System Limited

Stocking Distributor

Click to view price, real time Inventory, Delivery & Lifecycle Information:

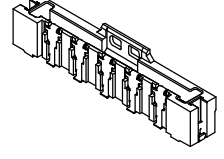
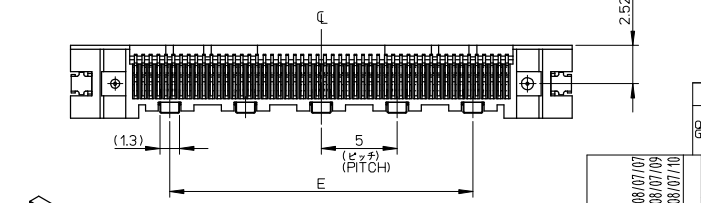
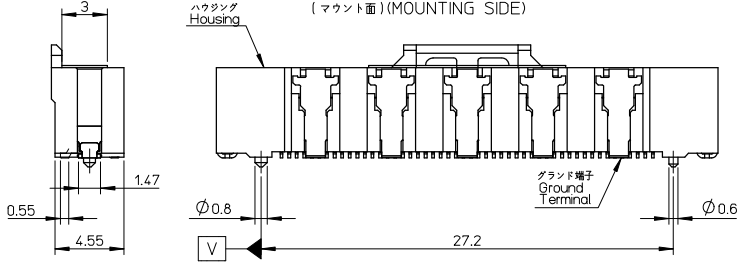
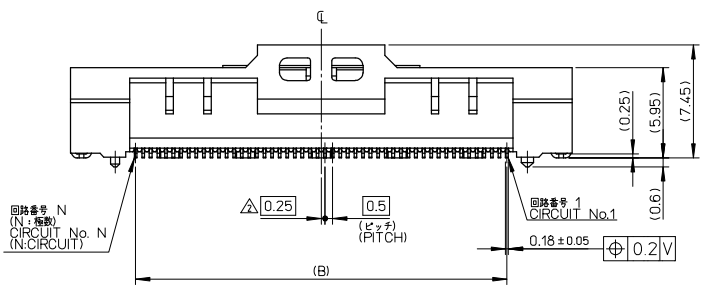
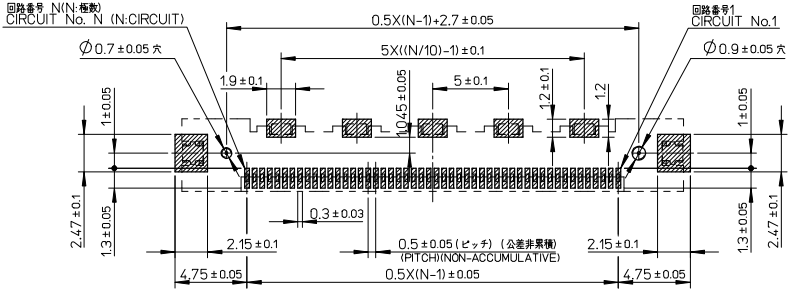
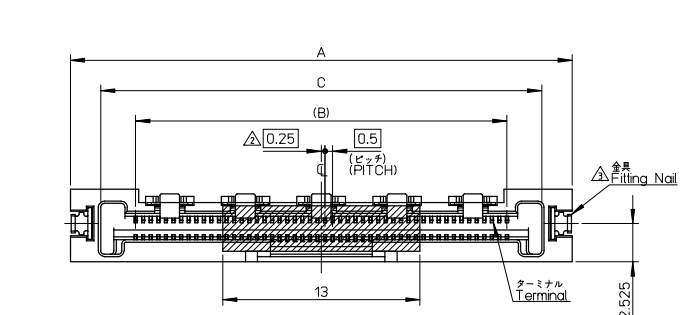
[Molex Connector Corporation](#)  
[5017865081](#)

For any questions, you can email us directly:

[sales@integrated-circuit.com](mailto:sales@integrated-circuit.com)

10 9 8 7 6 5 4 3 2 1

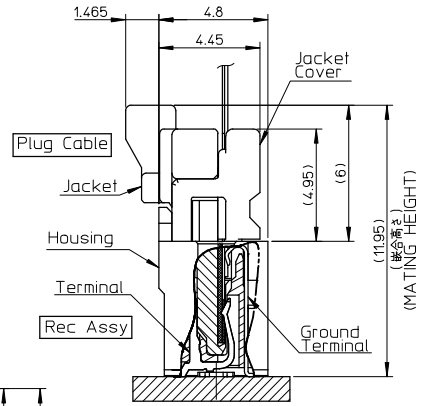
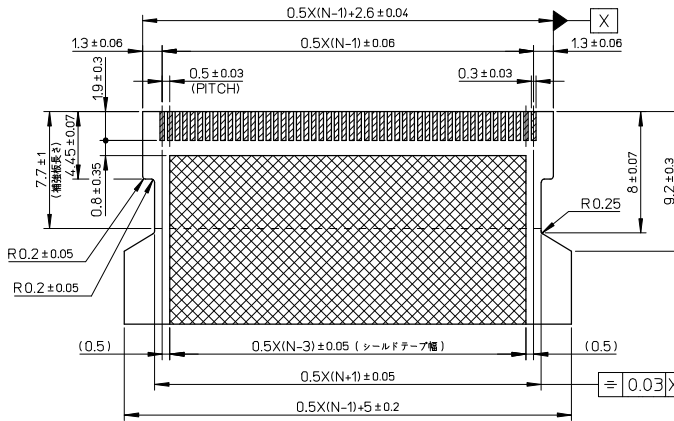
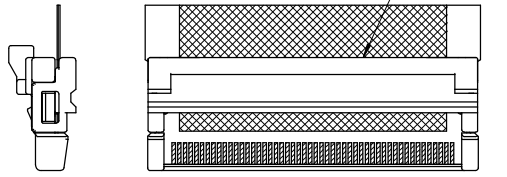
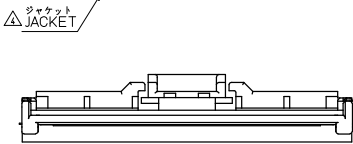
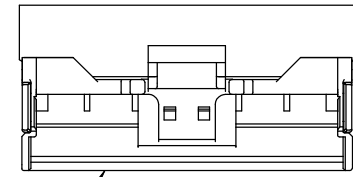
ELV AND RoHS COMPLIANT



5	20	27.2	29.1	24.5	33.1	501786-5081	501786-5051	50
QTY of Ground Term						EMBOSSED TAPE	MATERIAL NO.	極数
GENERAL TOLERANCES (UNLESS SPECIFIED)						DIMENSION STYLE	SCALE	DESIGN UNITS
10 UNDER ±0.2						MM ONLY	1:1	METRIC
10 OVER 30 UNDER ±0.25						DRAWN BY	DATE	TITLE
30 OVER ±0.3						M. NABEI	'08/07/07	0.5 FFC TO BOARD CONN REC HSG ASSY (ST)
ANGULAR ±1°						CHECKED BY	DATE	MOLEX INCORPORATED
DRAFT WHERE APPLICABLE MUST REMAIN WITHIN DIMENSIONS						K. MORIKAWA	'08/07/07	
RELEASED						APPROVED BY	DATE	MATERIAL NO.
O						H. HIRATA	'08/07/07	SEE TABLE
DRAWN: M. NABEI						MATERIAL NO.		DOCUMENT NO.
CHECKED: K. MORIKAWA						SD-501786-010		SHEET NO.
APPROVED: K. MORIKAWA						INCORPORATED AND SHOULD NOT BE USED WITHOUT WRITTEN PERMISSION		1 OF 2

10 9 8 7 6 5 4 3 2 1

ELV AND RoHS COMPLIANT.



嵌合断面図

注記  
NOTE

1. 使用材料 MATERIAL

- ハウジング HOUSING : 液晶ポリマー (LCP), ガラス充填, UL94V-0 色:黒色  
LIQUID CRYSTAL POLYMER(LCP), GLASS FILLED,UL94V-0 COLOR:BLACK
- ターミナル TERMINAL : 銅合金 (τ=0.18)  
COPPER ALLOY(τ=0.18)
- メッキ PLATING : ニッケル下地  
ニッケル下地 錫ピスマスマッキ
- ソルダーテール SOLDER TAIL : Sn-Bi PLATING OVER NICKEL PLATING
- TAIL AREA : Sn-Bi PLATING OVER NICKEL PLATING
- 金具 FITTING NAIL : 銅合金 (τ=0.25)  
ニッケル下地 錫メッキ  
COPPER ALLOY(τ=0.25), TIN OVER NICKEL PLATING.
- グラウンド端子 GROUND TERMINAL : 銅合金 (τ=0.15)  
ニッケル下地 錫メッキ  
COPPER ALLOY(τ=0.15), TIN OVER NICKEL PLATING.

N=偶数に適用 (N:極数)  
APPLY FOR N-EVEN(CIRCUIT)

パターン剥離止め用金具  
FITTING NAIL FOR PREVENTION OF PEELING OF PCB PATTERN

適合ジャケット: 503150-\*\*-\*\*09  
製品詳細寸法はSD-503150-001を参照下さい。  
APPLICABLE JACKET: 503150-\*\*-\*\*09  
RE DETAILED DIMENSION SEE SD-503150-001.

適合ジャケットカバー: 503151-\*\*-\*\*09  
製品詳細寸法はSD-503151-001を参照下さい。  
APPLICABLE JACKET COVER: 503151-\*\*-\*\*09  
RE DETAILED DIMENSION SEE SD-503151-001.

適合FFC推奨寸法  
APPLICABLE FFC  
RECOMMENDED DIMENSION  
(仕上がり厚さ: コネクタ接点部 0.3±0.03)  
シールド部 0.44±0.05)

コネクタ接点部  
シールド部

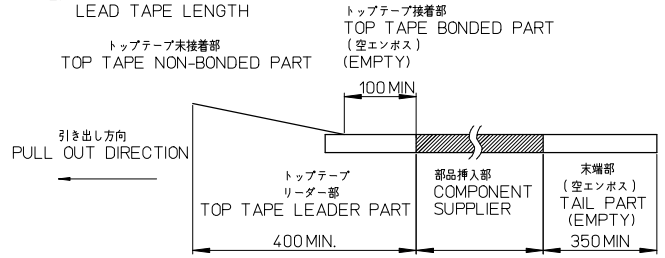
RELEASED EC NO: 0 DRAWN BY: M.NABEI CHECKED BY: K.MORIKAWA APPROVED BY: H.HIRATA DATE: 2008/07/07 DATE: 2008/07/09 DATE: 2008/07/10	GENERAL TOLERANCES (UNLESS SPECIFIED)		DIMENSION STYLE	SCALE	DESIGN UNITS	THIRD ANGLE PROJECTION
			MM ONLY		METRIC	
	10 UNDER	± 0.2	DRAWN BY: M.NABEI	DATE: '08/07/07	TITLE: 0.5 FFC TO BOARD CONN REC HSG ASSY (ST)	
	10 OVER 30 UNDER	± 0.25	CHECKED BY: K.MORIKAWA	DATE: '08/07/07	MOLEX INCORPORATED	
30 OVER	± 0.3	APPROVED BY: H.HIRATA	DATE: '08/07/07	DOCUMENT NO. SD-501786-010		
ANGULAR ±1 °		MATERIAL NO. SEE SHEET 1		SHEET NO. 2 OF 2		
DRAFT WHERE APPLICABLE WITHIN DIMENSIONS		THIS DRAWING CONTAINS INFORMATION THAT IS PROPRIETARY TO MOLEX INCORPORATED AND SHOULD NOT BE USED WITHOUT WRITTEN PERMISSION				

10 9 8 7 6 5 4 3 2 1

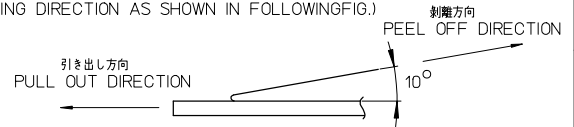
ELV AND RoHS COMPLIANT.

**NOTES**

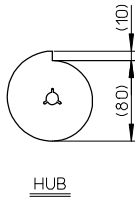
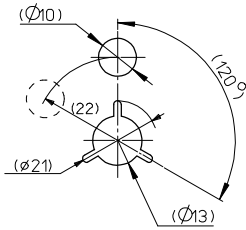
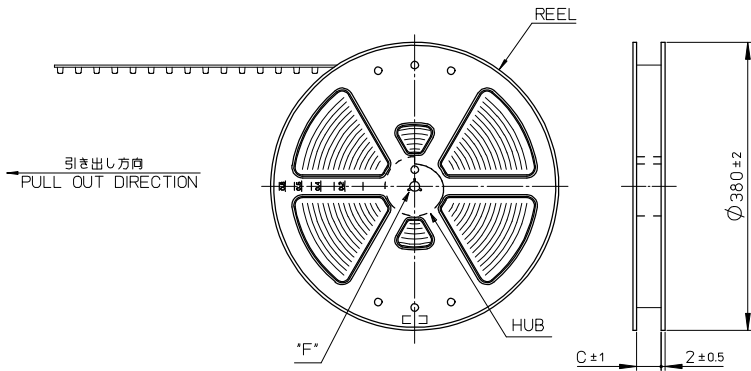
1. 梱包数量：900 個/リール  
NUMBER OF CONNECTORS:900 PCS/REEL
2. リードテープ長さ  
LEAD TAPE LENGTH



3. トップテープの剥離強度：「JES-59」参照のこと  
(剥離方向は下図参照)  
PEEL-OFF FORCE OF TOP TAPE : REFER TO JES-59  
(PEELING DIRECTION AS SHOWN IN FOLLOWING FIG.)



4. 製品詳細寸法については図面 SD-501786-010を参照下さい。  
RE DETAILED DIMENSION, SEE SD-501786-010.
5. 材料(MATERIAL)  
キャリアテープ(CARRIER TAPE) : ポリスチレン(POLYSTYRENE)  
トップテープ(TOP TAPE) : PET, PE, PE  
リール(REEL) : ポリスチレン(POLYSTYRENE)<<>リサイクル材を含む<<><<>RECYCLE MATERIAL CONTAINED<<>



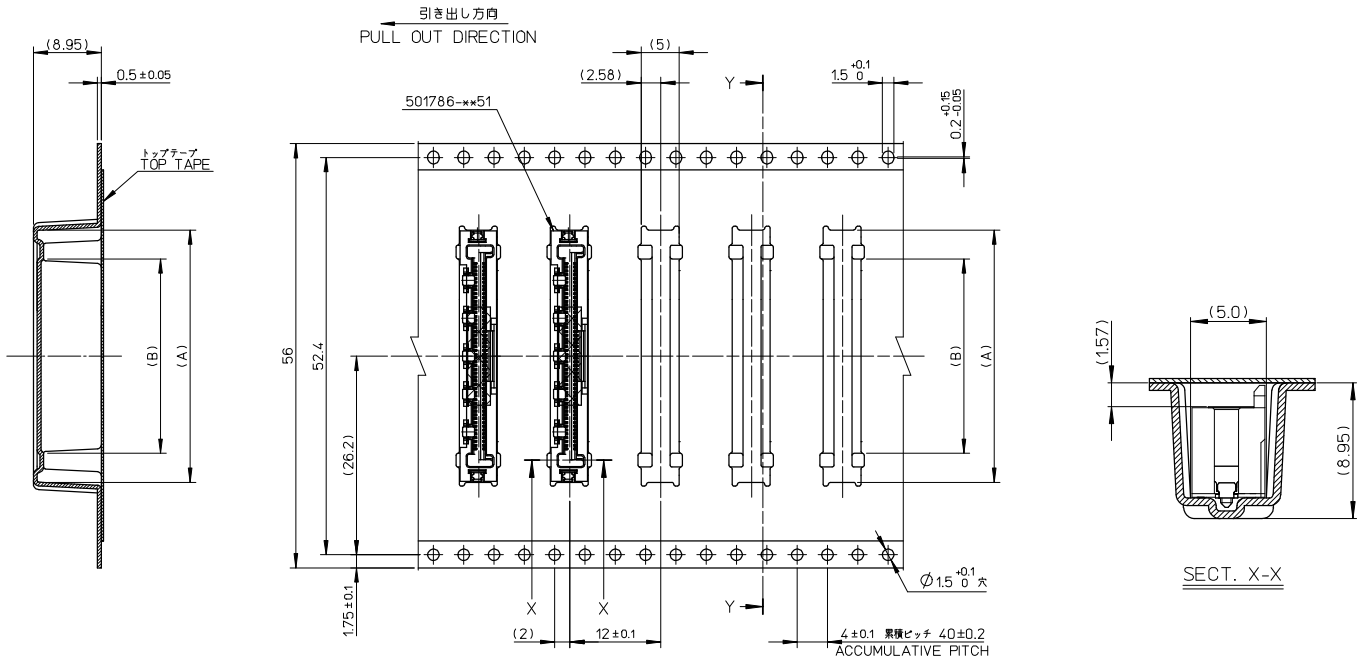
DETAIL "F"

HUB

501786-\*\*\*81 MODEL NO.

RELEASED EC NO: O REV	2008/07/08 DRAWN BY M.NABEI	GENERAL TOLERANCES (UNLESS SPECIFIED)	DIMENSION STYLE MM ONLY	SCALE ---	DESIGN UNITS METRIC	THIRD ANGLE PROJECTION	
	2008/07/09 CHECKED BY K.MORIKAWA		10 UNDER ±0.2	DRAWN BY DATE M.NABEI '08/07/08	TITLE EMBSTP PKG FOR 0.5 FFC TO BOARD ST TYPE		
	2008/07/10 APPROVED BY H.HIRATA		10 OVER 30 UNDER ±0.25	CHECKED BY DATE K.MORIKAWA '08/07/08	MOLEX INCORPORATED		
	DESCRIPTION		30 OVER ±0.3	APPROVED BY DATE H.HIRATA '08/07/08	MATERIAL NO. SEE SHEET 2	DOCUMENT NO. SD-501786-011	SHEET NO. 1 OF 2
	ANGULAR ±3°	DRAFT WHERE APPLICABLE MUST REMAIN WITHIN DIMENSIONS	SIZE A3	THIS DRAWING CONTAINS INFORMATION THAT IS PROPRIETARY TO MOLEX INCORPORATED AND SHOULD NOT BE USED WITHOUT WRITTEN PERMISSION			

ELV AND RoHS COMPLIANT.



56mm幅キャリアテープ  
56mm WIDTH CARRIER TAPE

56	57.4	25.68	33.3	501786-5081	50
キャリアテープ幅 CARRIER TAPE WIDTH	C	B	A	製品番号 MATERIAL NO.	極数 CKT

RELEASED EC NO: 0	2008/07/08 DRAWN BY M.NABEI	GENERAL TOLERANCES (UNLESS SPECIFIED)	DIMENSION STYLE MM ONLY	SCALE 1/1	DESIGN UNITS METRIC	THIRD ANGLE PROJECTION
	2008/07/09 CHECKED BY K.MORIKAWA	10 UNDER ±0.2	DRAWN BY DATE M.NABEI '08/07/08	EMBSTP PKG FOR 0.5 FFC TO BOARD ST TYPE		
	2008/07/10 APPROVED BY H.HIRATA	10 OVER 30 UNDER ±0.25	CHECKED BY DATE K.MORIKAWA '08/07/08			
	REV	30 OVER ±0.3	APPROVED BY DATE H.HIRATA '08/07/08	MOLEX INCORPORATED		
	ANGULAR ±3°	DRAFT WHERE APPLICABLE MUST REMAIN WITHIN DIMENSIONS	MATERIAL NO. SEE TABLE	DOCUMENT NO. SD-501786-011	SHEET NO. 2 OF 2	