

Excellent Integrated System Limited

Stocking Distributor

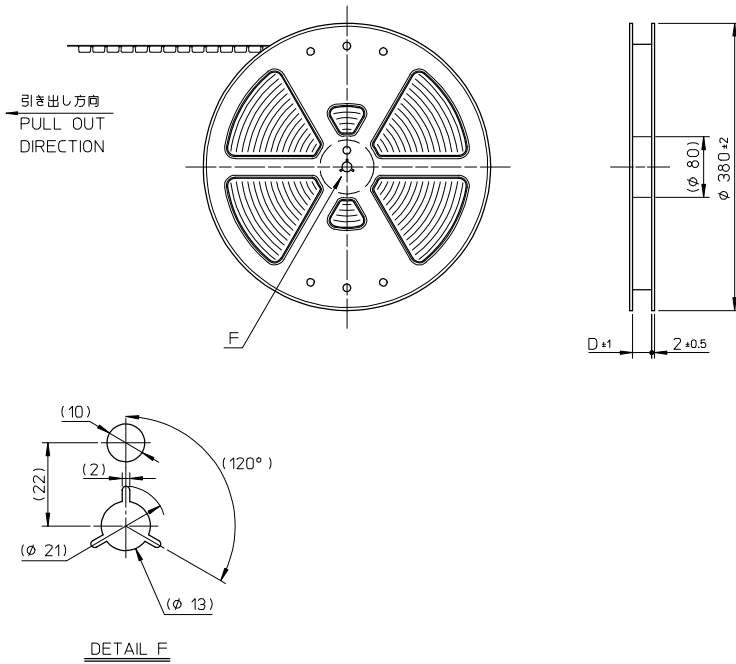
Click to view price, real time Inventory, Delivery & Lifecycle Information:

[Molex Connector Corporation](#)
[5019205001](#)

For any questions, you can email us directly:

sales@integrated-circuit.com

10 9 8 7 6 5 4 3 2 1



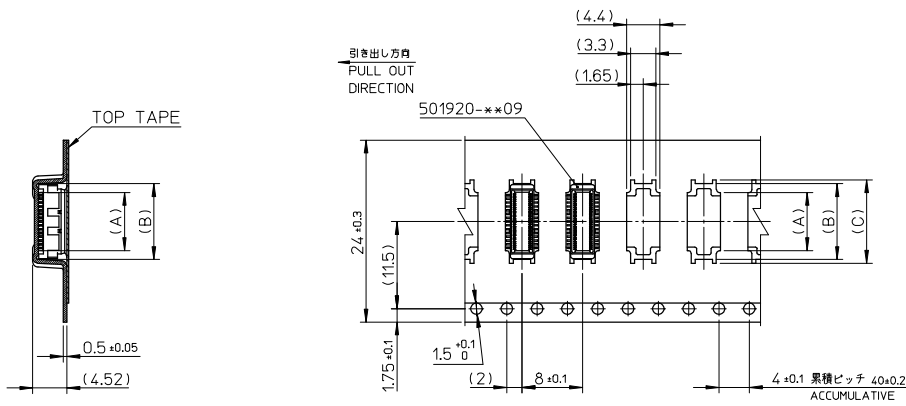
NOTES

- 製品詳細寸法については、製品単体図面を御参照下さい。
For detail of connector dimensions, please see the drawing of connector itself (not packaged)
 - 梱包数量 : 1500 個/リール
NUMBER OF CONNECTORS : 1500 PCS/REEL
 - リードテープ長さ
LEAD TAPE LENGTH
-
- トップテープの剥離強度: 0.1N ~ 1.3N (10gf ~ 130gf)
(剥離方向は下図参照)
尚、本規格値は、出荷時に適用。(但し、輸送時に剥離が発生しない事。)
PEELING OFF FORCE OF TOP TAPE 0.1N~1.3N (10gf~130gf)
(PEELING DIRECTION AS SHOWN IN FOLLOWING FIG.)
THIS REQUIREMENT SHOULD BE APPLIED AT SHIPMENT.
(PEEL OFF SHOULD NOT BE ALLOWED, DURING TRANSPORTATION.)
-
- 材料
キャリアテープ : ポリプロピレン
トップテープ : PET ,PE ,PEF
リール : ポリスチレン(PS) <リサイクル材を含む>
MATERIAL
CARRIER TAPE : POLYPROPYLENE
TOP TAPE : PET ,PE , PEF
REEL : POLYSTYRENE(PS) <RECYCLE MATERIAL CONTAINED>

6. ELV AND RoHS COMPLIANT.

REVISED EC NO.: J2008-2863 DRAWN: KAIHO 2008/01/29 CHKD: SASAO 2008/01/29 APPR: SASAO 2008/02/05	GENERAL TOLERANCES (UNLESS SPECIFIED)		DIMENSION STYLE		501920-**01		MODEL NO.		
			MM ONLY		SCALE	DESIGN UNITS	THIRD ANGLE PROJECTION		
	10 UNDER ±0.2		DRAWN BY DATE		TITLE				
	10 OVER 30 UNDER ±0.25		M. ISOGAYA 2005/08/18		EMBSTP PKG FOR 0.5 PITCH B/B CONN. PLUG HSG ASSY				
30 OVER ±0.3		CHECKED BY DATE		APPROVED BY DATE		MOLEX INCORPORATED			
ANGULAR ±1 °		T. HIRATA 2005/08/18		M. SASAO 2005/08/18		DOCUMENT NO. SD-501920-002			
DRAFT WHERE APPLICABLE MUST REMAIN WITHIN DIMENSIONS		MATERIAL NO.		SEE SHEET 2		SHEET NO. 1 OF 2			
		SIZE A3		THIS DRAWING CONTAINS INFORMATION THAT IS PROPRIETARY TO MOLEX INCORPORATED AND SHOULD NOT BE USED WITHOUT WRITTEN PERMISSION					

10 9 8 7 6 5 4 3 2 1

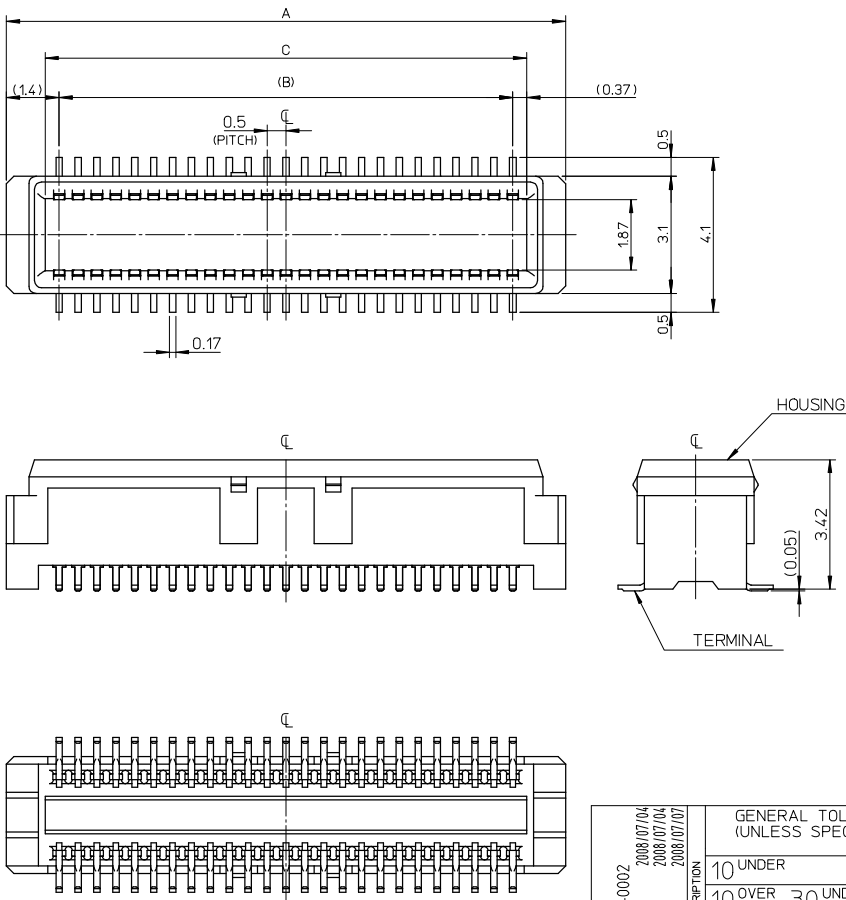


24mm幅キャリアテープ
24mm WIDTH CARRIER TAPE

24	25.4	16.0	15.0	12.67	501920-5001	50
		13.5	12.5	10.17	501920-4001	40
		11.0	10.0	7.67	501920-3001	30
キャリアテープ幅 CARRIER TAPE WIDTH	D	(C)	(B)	(A)	MATERIAL NO.	CIRCUIT

REVISED EC NO. J2008-2863 DRAWN: KAIHO 2008/01/29 CHIKUMASAO APPR: SASAO 2008/02/05 DESCRIPTION	GENERAL TOLERANCES (UNLESS SPECIFIED)		DIMENSION STYLE MM ONLY		SCALE 1/1	DESIGN UNITS METRIC	THIRD ANGLE PROJECTION
	10 UNDER	±0.2	DRAWN BY M. ISOGAYA	DATE 2005/08/18	TITLE EMBSTP PKG FOR 0.5 PITCH B/B CONN. PLUG HSG ASSY		
	10 OVER 30 UNDER	±0.25	CHECKED BY T. HIRATA	DATE 2005/08/18	MOLEX INCORPORATED		
	30 OVER	±0.3	APPROVED BY M. SASAO	DATE 2005/08/18	DOCUMENT NO. SD-501920-002		
	ANGULAR ±1°		MATERIAL NO. SEE TABLE		SHEET NO. 2 OF 2		
DRAFT WHERE APPLICABLE MUST REMAIN WITHIN DIMENSIONS		THIS DRAWING CONTAINS INFORMATION THAT IS PROPRIETARY TO MOLEX INCORPORATED AND SHOULD NOT BE USED WITHOUT WRITTEN PERMISSION					

10 9 8 7 6 5 4 3 2 1

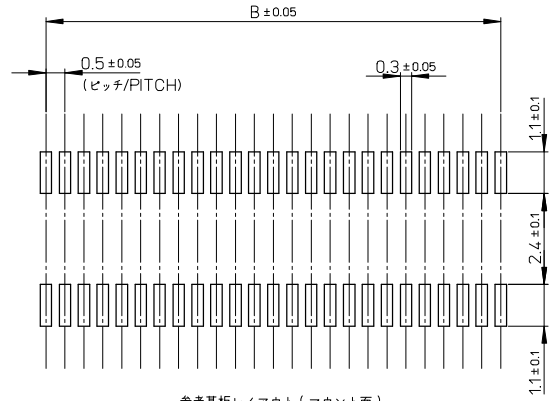
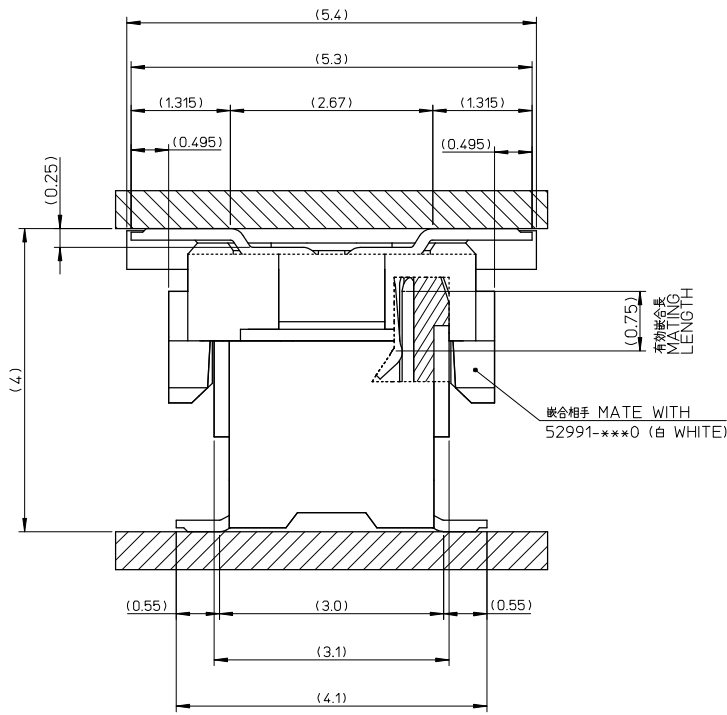


NOTES

- 1.材質
MATERIAL
ハウジング: LCP(液晶ポリマー)、ガラス充填、黒色、UL94V-0
HOUSING: GLASS FILLED LIQUID CRYSTAL POLYMER BLACK UL94V-0
ターミナル: 銅合金 (t=0.15)
TERMINAL: COPPER ALLOY (t=0.15)
- 2.メッキ仕様
PLATING
ターミナル
TERMINAL
接点部: 金メッキ
CONTACT AREA: GOLD
半田付け部: 錫メッキ
SOLDER TAIL AREA: TIN
下地メッキ: ニッケルメッキ
UNDER PLATING: NICKEL
- 3.テール平坦度: 0.1 MAX.
COPLANARITY: 0.1 MAXIMUM
4. ELV AND RoHS COMPLIANT.

12.74	12.0	14.8	501920-5001	501920-5009	50
C	B	A	エンボス梱包 EMBOSSED TAPE PACKAGING	製品番号 MATERIAL NO.	CIRCUIT

REVISED EC NO.: J2009-0002 DRAWN:TKAHO 2008/07/04 CHKD:THIRATA 2008/07/04 APPR:MSASAO 2008/07/07	GENERAL TOLERANCES (UNLESS SPECIFIED)		DIMENSION STYLE MM ONLY		SCALE 10:1	501920-**09	MODEL NO.
	10 UNDER	± 0.2	DRAWN BY TKAHO	DATE 2008/01/28	TITLE	0.5 PITCH B/B CONN. PLUG HSG ASSY	THIRD ANGLE PROJECTION
	10 OVER 30 UNDER	± 0.25	CHECKED BY MSASAO	DATE 2008/01/29			
	30 OVER	± 0.3	APPROVED BY MSASAO	DATE 2008/01/29			
A	ANGULAR ±1 °	DRAFT WHERE APPLICABLE MUST REMAIN WITHIN DIMENSIONS		SEE TABLE	DOCUMENT NO. SD-501920-003	MATERIAL NO.	SHEET NO. 1 OF 2



参考基板レイアウト (マウント面)
RECOMMENDED P.C.BOARD
PATTERN DIMENSION (REF.)
(MOUNT AREA) (SCALE 10:1)

嵌合状態 (参考)
MATED DRAWING (REF.)

REVISED EC NO. J2009-0002 DRAWN:TKAHO 2008/07/04 CHKD:HIRATA 2008/07/04 APPR:MSASAO 2008/07/07	GENERAL TOLERANCES (UNLESS SPECIFIED)		DIMENSION STYLE MM ONLY		501920-***09		MODEL NO.	
	10 UNDER	± 0.2	DRAWN BY	DATE	SCALE	DESIGN UNITS	THIRD ANGLE PROJECTION	
	10 OVER 30 UNDER	± 0.25	TKAHO	2008/01/28	100:10	METRIC	0.5 PITCH B/B CONN. PLUG HSG ASSY	
	30 OVER	± 0.3	CHECKED BY	DATE	MOLEX INCORPORATED			
ANGULAR	± 1 °	MSASAO	2008/01/29	APPROVED BY	DATE	DOCUMENT NO.		SHEET NO.
DRAFT WHERE APPLICABLE MUST REMAIN WITHIN DIMENSIONS		SEE SHEET 1		MSASAO	2008/01/29	SD-501920-003		2 OF 2
THIS DRAWING CONTAINS INFORMATION THAT IS PROPRIETARY TO MOLEX INCORPORATED AND SHOULD NOT BE USED WITHOUT WRITTEN PERMISSION								