

Excellent Integrated System Limited

Stocking Distributor

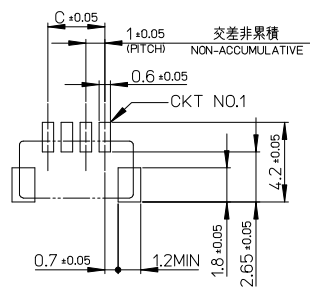
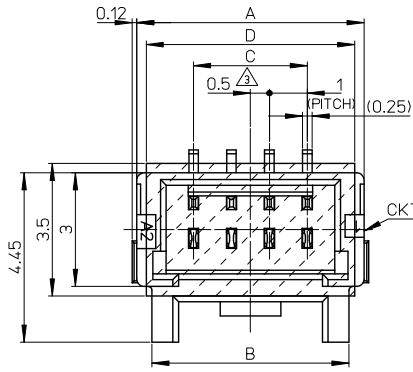
Click to view price, real time Inventory, Delivery & Lifecycle Information:

[Molex Connector Corporation](#)
[5019400507](#)

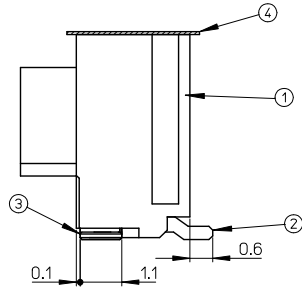
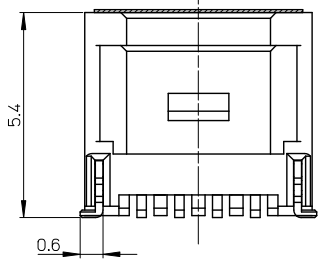
For any questions, you can email us directly:

sales@integrated-circuit.com

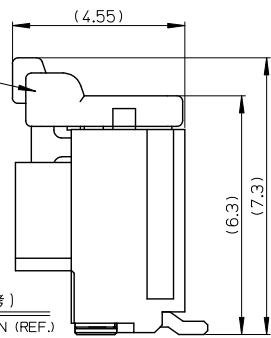
10 9 8 7 6 5 4 3 2 1



参考パターンレイアウト
RECOMMENDED PATTERN DIM. (REF)
SCALE 5:1



501939-***0*
501939-***3*



嵌合寸法(参考)
MATED DIMENSION (REF.)

番号 NO.	部品 PART	材質 MATERIAL
①	ウェハー WAFFER	耐熱ナイロン樹脂 UL94V-0 色:表参照 HEAT RESISTANCE NYLON, UL94V-0, COLOR:SEE TABLE
②	ソルダーピン SOLDER PIN	りん青銅 PHOSPHOR BRONZE 錫メッキ: 1.0μmMIN. TIN ニッケルメッキ(下地): 1.0μmMIN. NICKEL(UNDER PLATING)
③	ネイル NAIL	りん青銅 PHOSPHOR BRONZE 錫メッキ: 1.0μmMIN. TIN ニッケルメッキ(下地): 1.0μmMIN. NICKEL(UNDER PLATING)
④	カバーテープ COVER TAPE	ポリイミドテープ POLYIMIDE TAPE

NOTES.

1. 嵌合相手: 501939-***
MATE WITH: 501939-***
 2. ソルダーピン及びネイル平坦度は、0.1MAX.
SOLDER PIN AND NAIL COPLANARITY TO BE 0.1MAX.
- △ 極数=偶数に適用
APPLY FOR CKT SIZE=EVEN

6.5	4.0	7.0	5
5.5	3.0	6.0	4
4.5	2.0	4.2	3
D	C	B	A
極数 CIRCUITS			

CONNECTOR SERIES No. 501940-***9

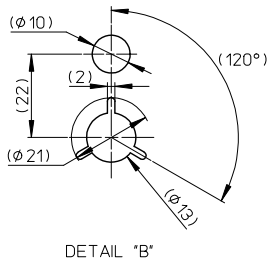
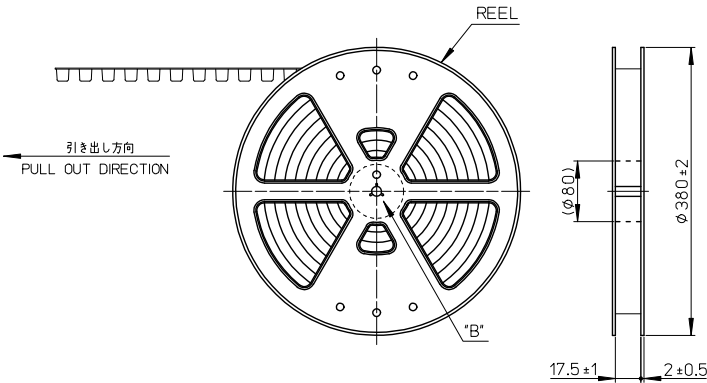
REVISED EC NO. J2010-0339 DRAWN: TAKAGAWA01 2009/09/01 CHKD: HATSUMOTO 2009/09/01 APPR: HIRATA 2009/09/01	GENERAL TOLERANCES (UNLESS SPECIFIED)		DIMENSION STYLE MM ONLY		SCALE 10:1	DESIGN UNITS METRIC	THIRD ANGLE PROJECTION
	10 UNDER	± 0.2	DRAWN BY NYOSHIDA	DATE 2005/09/16	TITLE 1.0 WIRE TO BOARD CONN. WAFFER ASS'Y 1-ROW ST POSI-LOCK -LEAD FREE-		
	10 OVER 30 UNDER	± 0.25	CHECKED BY AMIZUMURA	DATE 2005/09/16	MOLEX INCORPORATED		
	30 OVER	± 0.3	APPROVED BY MYAGI	DATE 2005/09/16	MATERIAL NO. SEE SHEET 2		
	ANGULAR ± 3°	DRAFT WHERE APPLICABLE MUST REMAIN WITHIN DIMENSIONS		SIZE A3	DOCUMENT NO. SD-501940-001		SHEET NO. 1 OF 2

10 9 8 7 6 5 4 3 2 1

紫 PA46 VIOLET	橙 PA46 ORANGE	茶 PA46 BROWN	緑 PA46 GREEN	色 COLOR	
501940-0597	501940-0587	501940-0577	501940-0567	5	
501940-0497	501940-0487	501940-0477	501940-0467	4	
501940-0397	501940-0387	501940-0377	501940-0367	3	
EMBOSSSED PACKAGE オーダー番号 ORDER NO.	EMBOSSSED PACKAGE オーダー番号 ORDER NO.	EMBOSSSED PACKAGE オーダー番号 ORDER NO.	EMBOSSSED PACKAGE オーダー番号 ORDER NO.	極数 CIRCUITS	
CONNECTOR SERIES No. 501940-***9					
青 PA46 BLUE	黄 PA46 YELLOW	赤 PA46 RED	黒 PA46 BLACK	自然色 PA6T NATURAL	色 COLOR
501940-0547	501940-0537	501940-0527		501940-0507	5
501940-0447	501940-0437	501940-0427	501940-0417	501940-0407	4
501940-0347	501940-0337	501940-0327	501940-0317	501940-0307	3
EMBOSSSED PACKAGE オーダー番号 ORDER NO.	EMBOSSSED PACKAGE オーダー番号 ORDER NO.	EMBOSSSED PACKAGE オーダー番号 ORDER NO.	EMBOSSSED PACKAGE オーダー番号 ORDER NO.	EMBOSSSED PACKAGE オーダー番号 ORDER NO.	極数 CIRCUITS

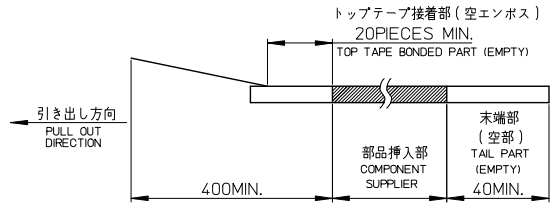
REVISED IEC NO. J2010-0339 DRAWN: TAKAGAWA01 2009/09/01 CHIKO-HATSUMOTO 2009/09/01 APPROV: HIRATA 2009/09/01 REV	GENERAL TOLERANCES (UNLESS SPECIFIED)		DIMENSION STYLE MM ONLY		SCALE 10:1	DESIGN UNITS METRIC	THIRD ANGLE PROJECTION
	10 UNDER	± 0.2	DRAWN BY NYOSHIDA	DATE 2005/09/16	TITLE 1.0 WIRE TO BOARD CONN. WAFER ASS'Y 1-ROW ST POSI-LOCK -LEAD FREE- MOLEX INCORPORATED		
	10 OVER 30 UNDER	± 0.25	CHECKED BY AMI ZUMURA	DATE 2005/09/16			
	30 OVER	± 0.3	APPROVED BY MYAGI	DATE 2005/09/16			
ANGULAR ±3 °		MATERIAL NO.		SEE TABLE	DOCUMENT NO. SD-501940-001	SHEET NO. 2 OF 2	
DRAFT WHERE APPLICABLE MUST REMAIN WITHIN DIMENSIONS		THIS DRAWING CONTAINS INFORMATION THAT IS PROPRIETARY TO MOLEX INCORPORATED AND SHOULD NOT BE USED WITHOUT WRITTEN PERMISSION					

10 9 8 7 6 5 4 3 2 1



NOTES

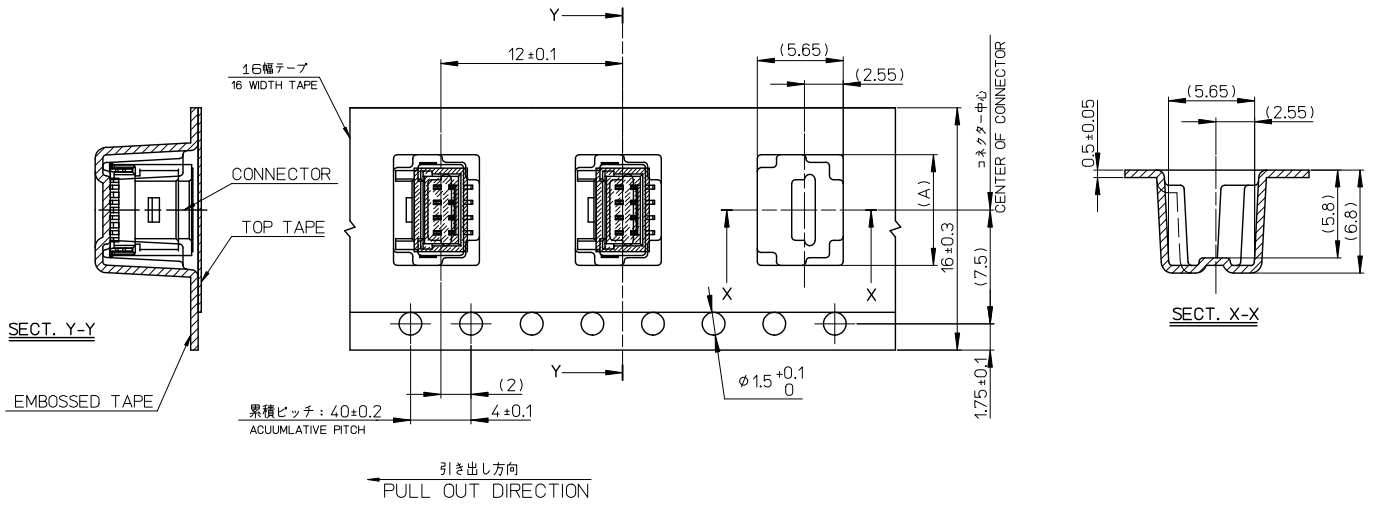
- 製品詳細寸法については製品単体図面を参照ください。
RE DETAILED DIMENSION, SEE PRODUCT DRAWING.
- 梱包数量: 1100個/リール
NUMBER OF CONNECTORS: 1100PIECES/REEL
- リードテープ長さ
LEAD TAPE LENGTH



- 材料
MATERIAL
キャリアテープ: ポリスチレン
CARRIER TAPE: POLYSTYRENE
トップテープ: PET、その他
TOP TAPE: PET, OTHER
リール: ポリスチレン<リサイクル材を含む>
REEL: POLYSTYRENE <RECYCLE MATERIAL CONTAINED>
- ハイバリア梱包 (シリカゲル入り) 対応品である。(501940-**-07除く)
THIS PRODUCT IS HIGH BARRIER PACKAGE.(WITH SILICAGEL)
(BESIDES 501940-**-07)
- 開梱後の保管条件に注意のこと。(ハイバリア品対象: PS-501940-001参照)
REFER TO PS-501940-001(HIGH BARRIER PRODUCT)
FOR CONDITIONS AFTER OPEN.

REVISED	EC NO: J2010-0339 DRAWN: TAKAGAWA01 2009/09/01 CHKD: HATSUMOTO 2009/09/01 APPR: HIRATA 2009/09/01	GENERAL TOLERANCES (UNLESS SPECIFIED)		DIMENSION STYLE	SCALE	DESIGN UNITS	THIRD ANGLE PROJECTION			
		10 UNDER	± 0.2	MM ONLY	---	METRIC				
		10 OVER 30 UNDER	± 0.25	DRAWN BY	DATE	TITLE				
		30 OVER	± 0.3	NYOSHIDA	2005/09/16	1.0 WIRE TO BOARD CONN. WAFER ASS'Y 1-ROW ST EMBSTP PKG -LEAD FREE-				
		ANGULAR	± 3 °	CHECKED BY	DATE	APPROVED BY	DATE	MATERIAL NO.	DOCUMENT NO.	SHEET NO.
		DRAFT WHERE APPLICABLE MUST REMAIN WITHIN DIMENSIONS		AMI ZUMURA	2005/09/16	MYAGI	2005/09/16	SEE SHEET 3	SD-501940-002	1 OF 3
THIS DRAWING CONTAINS INFORMATION THAT IS PROPRIETARY TO MOLEX INCORPORATED AND SHOULD NOT BE USED WITHOUT WRITTEN PERMISSION										

10 9 8 7 6 5 4 3 2 1



8.3	5
7.3	4
6.3	3
(A)	極数 CIRCUITS

REVISED IEC NO. J2010-0339 DRAWN: TAKAGAWA01 2009/09/01 CHIKD-HMATSUMOTO 2009/09/01 APPR: HIRATA 2009/09/01	GENERAL TOLERANCES (UNLESS SPECIFIED)		DIMENSION STYLE MM ONLY		CONNECTOR SERIES No. 501940-***9		
	10 UNDER	± 0.2	DRAWN BY	DATE	SCALE	DESIGN UNITS	
	10 OVER 30 UNDER	± 0.25	NYOSHIDA	2005/09/16	---	METRIC	
	30 OVER	± 0.3	CHECKED BY	DATE	THIRD ANGLE PROJECTION		
	ANGULAR ± 3 °	AMIZUMURA	2005/09/16	TITLE			
	DRAFT WHERE APPLICABLE MUST REMAIN WITHIN DIMENSIONS	APPROVED BY	DATE	1.0 WIRE TO BOARD CONN. WAFER ASS'Y 1-ROW ST EMBSTP PKG -LEAD FREE-			
		MYAGI	2005/09/16	MOLEX INCORPORATED			
		MATERIAL NO.	SEE SHEET 3	DOCUMENT NO.		SHEET NO.	
		SIZE	A3	SD-501940-002		2 OF 3	
		THIS DRAWING CONTAINS INFORMATION THAT IS PROPRIETARY TO MOLEX INCORPORATED AND SHOULD NOT BE USED WITHOUT WRITTEN PERMISSION					

10 9 8 7 6 5 4 3 2 1

	紫 VIOLET	橙 ORANGE	茶 BROWN	緑 GREEN	色 COLOR
	501940-0597	501940-0587	501940-0577	501940-0567	5
	501940-0497	501940-0487	501940-0477	501940-0467	4
	501940-0397	501940-0387	501940-0377	501940-0367	3
	EMBOSSSED PACKAGE オーダー番号 ORDER NO.	EMBOSSSED PACKAGE オーダー番号 ORDER NO.	EMBOSSSED PACKAGE オーダー番号 ORDER NO.	EMBOSSSED PACKAGE オーダー番号 ORDER NO.	極数 CIRCUITS
CONNECTOR SERIES No. 501940-***9					
	青 BLUE	黄 YELLOW	赤 RED	黒 BLACK	自然色 NATURAL
	501940-0547	501940-0537	501940-0527		501940-0507
	501940-0447	501940-0437	501940-0427	501940-0417	501940-0407
	501940-0347	501940-0337	501940-0327	501940-0317	501940-0307
	EMBOSSSED PACKAGE オーダー番号 ORDER NO.	EMBOSSSED PACKAGE オーダー番号 ORDER NO.	EMBOSSSED PACKAGE オーダー番号 ORDER NO.	EMBOSSSED PACKAGE オーダー番号 ORDER NO.	EMBOSSSED PACKAGE オーダー番号 ORDER NO.
					極数 CIRCUITS

CONNECTOR SERIES No. 501940-***9

REVISED IEC NO. J2010-0339 DRAWN: TAKAGAWA01 2009/09/16 CHIKDHATSUMOTO 2009/09/16 APPROV: HIRATA 2009/09/16 REV	GENERAL TOLERANCES (UNLESS SPECIFIED)		DIMENSION STYLE MM ONLY		SCALE 10:1	DESIGN UNITS METRIC	THIRD ANGLE PROJECTION
	10 UNDER	± 0.2	DRAWN BY NYOSHIDA	DATE 2005/09/16	TITLE 1.0 WIRE TO BOARD CONN. WAFER ASS'Y 1-ROW ST POSI-LOCK -LEAD FREE- MOLEX INCORPORATED MOLEX DOCUMENT NO. SD-501940-002 SHEET NO. 3 OF 3		
	10 OVER 30 UNDER	± 0.25	CHECKED BY AMI ZUMURA	DATE 2005/09/16			
	30 OVER	± 0.3	APPROVED BY MYAGI	DATE 2005/09/16			
ANGULAR ±3 °		MATERIAL NO.		SEE TABLE			
DRAFT WHERE APPLICABLE MUST REMAIN WITHIN DIMENSIONS		SIZE A3		THIS DRAWING CONTAINS INFORMATION THAT IS PROPRIETARY TO MOLEX INCORPORATED AND SHOULD NOT BE USED WITHOUT WRITTEN PERMISSION			