

## Excellent Integrated System Limited

Stocking Distributor

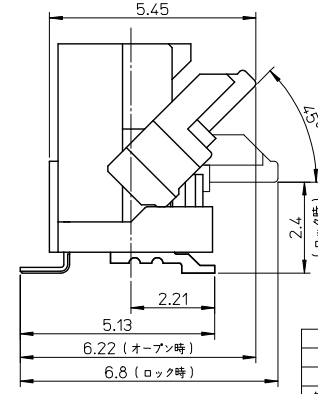
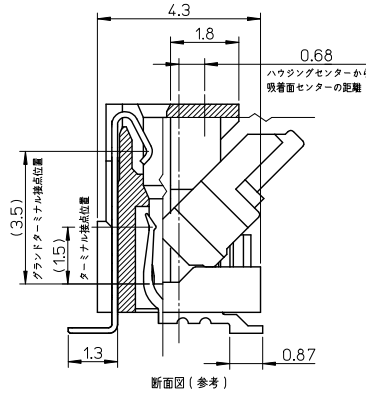
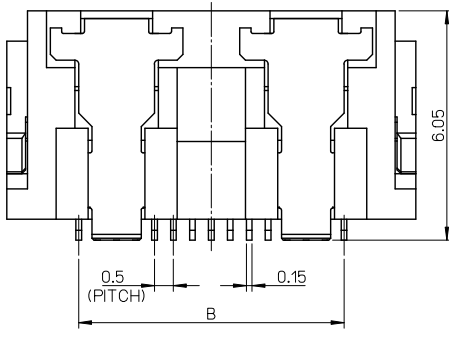
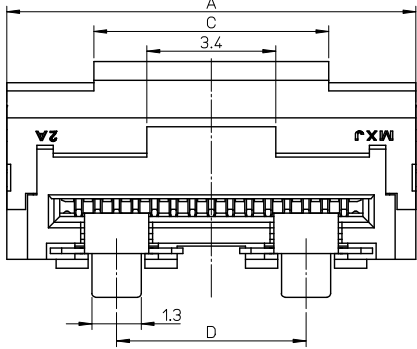
Click to view price, real time Inventory, Delivery & Lifecycle Information:

[Molex Connector Corporation](#)  
[5022312400](#)

For any questions, you can email us directly:

[sales@integrated-circuit.com](mailto:sales@integrated-circuit.com)

10 9 8 7 6 5 4 3 2 1



注記  
NOTES:  
~~~~~

1.材質  
MATERIAL  
ハウジング:LCP(液晶ポリマー)、ガラス充填、ナチュラル色、UL94V-0  
HOUSING:LIQUID CRYSTAL POLYMER, GLASS FILLED,  
COLOR:NATURAL, UL94V-0  
アクチュエータ:ポリアミド9T、ガラス充填、茶色、UL94V-0  
ACTUATOR:POLYAMIDE 9T, GLASS FILLED,  
COLOR:BROWN, UL94V-0  
ターミナル:鍍青銅(t=0.15)  
TERMINAL:PHOSPHOR BRONZE(t=0.15)  
グラウンドターミナル:鍍青銅(t=0.15)  
GROUND TERMINAL:PHOSPHOR BRONZE(t=0.15)

2.めっき仕様  
PLATING  
ターミナル  
TERMINAL  
金めっき  
GOLD PLATING  
下地ニッケルめっき  
UNDER PLATING:NICKEL PLATING  
グラウンドターミナル  
GROUND TERMINAL  
錫めっき  
TIN PLATING  
下地ニッケルめっき  
UNDER PLATING:NICKEL PLATING

3.平坦度は、0.1ミリ以下とする。  
TAILS COPLANARITY TO BE 0.1 MAXIMUM.

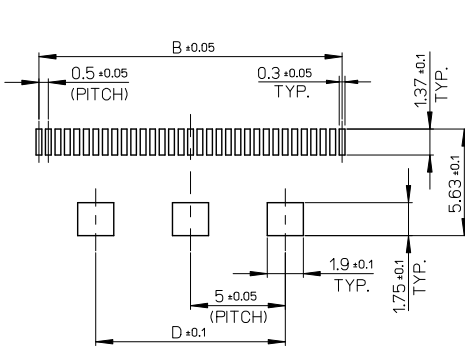
△ 使用するFFCはターミナル用パターン導体部とグラウンドターミナル用パターン導体部が重ならないこと。  
FFC IS NOT OVER LAP PATTERN OF TERMINAL AND GROUND TERMINAL.

|                                  |    |     |      |      |             |                                  |                      |                |
|----------------------------------|----|-----|------|------|-------------|----------------------------------|----------------------|----------------|
| 3                                | 10 | 10  | 16   | 19.8 | 502231-3300 | 502231-3309                      | 33                   |                |
| 2                                | 5  | 10  | 11.5 | 15.3 | 502231-2400 | 502231-2409                      | 24                   |                |
| 2                                | 5  | 6.2 | 7    | 10.8 | 502231-1500 | 502231-1509                      | 15                   |                |
| グラウンドターミナルピン数<br>GROUND TERM QT. |    | D   | C    | B    | A           | EMBOSSED TAPE<br>ORDER No. オート番号 | 製品番号<br>MATERIAL NO. | 極数<br>CIRCUITS |

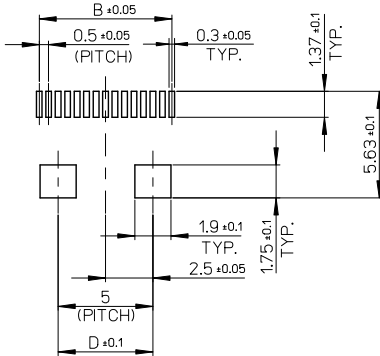
|                                                                                                                                      |                                          |                                                            |                            |                           |                                                                               |                        |                           |
|--------------------------------------------------------------------------------------------------------------------------------------|------------------------------------------|------------------------------------------------------------|----------------------------|---------------------------|-------------------------------------------------------------------------------|------------------------|---------------------------|
| REVISED<br>EC NO. J2009-2073<br>DRAWN/TAKASAKI 2009/03/13<br>CHKD/HAYASHI 2009/03/13<br>APPR./MUKITA 2009/03/13                      | GENERAL TOLERANCES<br>(UNLESS SPECIFIED) |                                                            | DIMENSION STYLE<br>MM ONLY |                           | SCALE<br>10:1                                                                 | DESIGN UNITS<br>METRIC | THIRD ANGLE<br>PROJECTION |
|                                                                                                                                      | 10 UNDER                                 | ± 0.2                                                      | DRAWN BY<br>TRSUZUKI       | DATE<br>2006/08/24        | TITLE<br>0.5 FFC CONN HSG ASSY<br>FOR LVDS E/O STRAIGHT<br>(GOLD) -LEAD FREE- |                        |                           |
|                                                                                                                                      | 10 OVER 30 UNDER                         | ± 0.25                                                     | CHECKED BY<br>HIRATA       | DATE<br>2006/08/24        |                                                                               |                        |                           |
|                                                                                                                                      | 30 OVER                                  | ± 0.3                                                      | APPROVED BY<br>MSASAO      | DATE<br>2006/08/24        | MOLEX INCORPORATED                                                            |                        |                           |
| ANGULAR ±1°                                                                                                                          |                                          | DRAFT WHERE APPLICABLE<br>MUST REMAIN<br>WITHIN DIMENSIONS |                            | MATERIAL NO.<br>SEE CHART | DOCUMENT NO.<br>SD-502231-001                                                 | SHEET NO.<br>1 OF 2    |                           |
| SIZE A THIS DRAWING CONTAINS INFORMATION THAT IS PROPRIETARY TO MOLEX INCORPORATED AND SHOULD NOT BE USED WITHOUT WRITTEN PERMISSION |                                          |                                                            |                            |                           |                                                                               |                        |                           |

10 9 8 7 6 5 4 3 2 1

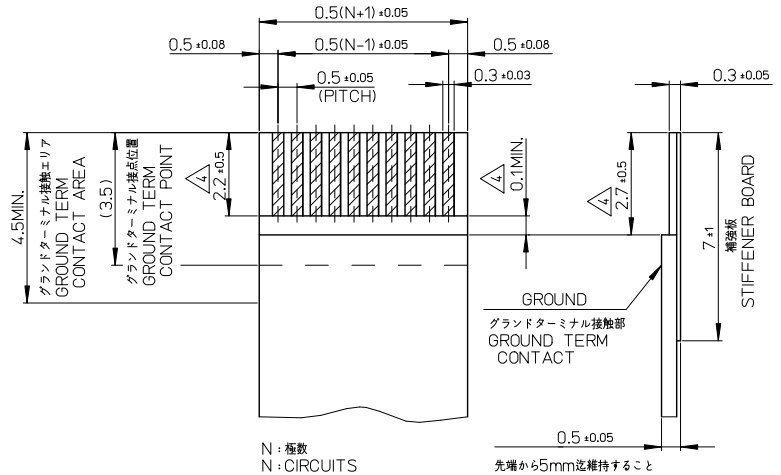
F  
E  
D  
C  
B  
A



参考基板レイアウト  
(グラウンドターミナルピン数: 奇数品に適用)  
P.C.BOARD PATTERN LAYOUT  
(GROUND TERMINAL QUANTITY: ODD NUMBER)



参考基板レイアウト  
(グラウンドターミナルピン数: 偶数品に適用)  
P.C.BOARD PATTERN LAYOUT  
(GROUND TERMINAL QUANTITY: EVEN NUMBER)



N: 極数  
N: CIRCUITS

適合FFC推奨寸法  
APPLICABLE FFC  
RECOMMENDED DIMENSION

先端から5mm迄維持すること  
(コネクタグラウンドターミナル接触部)  
MAINTAIN MEASURE FROM  
THE POINT TO 5mm  
(GROUND TERM CONTACT)

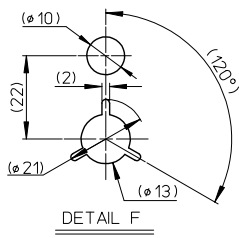
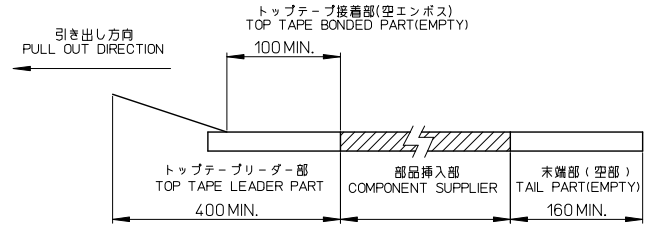
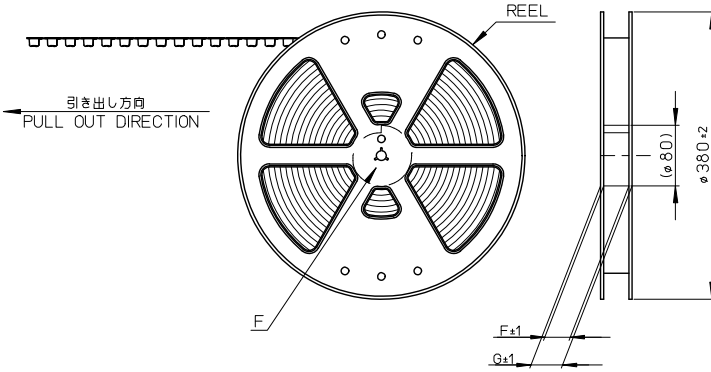
FFCについて:  
抜き方向は導体側から補強板側を推奨致します。  
導体部については、軟銅箔: 35マイクロメートル又は45マイクロメートル  
金めっきを推奨致します。  
ABOUT FFC:  
RECOMMENDED PUNCHER DIRECTION :  
FROM CONDUCTOR SIDE TO STIFFENER FILM SIDE.  
RECOMMENDED CONDUCTOR SPEC :  
THICKNESS OF SOFT COPPER :  
35 MICROMETER OR 50 MICROMETER  
GOLD PLATING

|                                                                                                                                                     |                                                      |               |                 |                                                                                                                               |                                                                |                        |
|-----------------------------------------------------------------------------------------------------------------------------------------------------|------------------------------------------------------|---------------|-----------------|-------------------------------------------------------------------------------------------------------------------------------|----------------------------------------------------------------|------------------------|
| SEE SHEET 1<br>EC NO. J2009-2073<br>DRAWN BY: DRWNTAKASAKI 2009/03/13<br>CHECKED BY: CHIKDHHAYASHI 2009/03/13<br>APPROVED BY: APRRNUKITA 2009/03/13 | GENERAL TOLERANCES (UNLESS SPECIFIED)                |               | DIMENSION STYLE | SCALE                                                                                                                         | DESIGN UNITS                                                   | THIRD ANGLE PROJECTION |
|                                                                                                                                                     |                                                      |               | MM ONLY         | 5:1                                                                                                                           | METRIC                                                         |                        |
|                                                                                                                                                     | 10 UNDER                                             | $\pm 0.2$     | DRAWN BY        | DATE                                                                                                                          | TITLE                                                          |                        |
|                                                                                                                                                     | 10 OVER 30 UNDER                                     | $\pm 0.25$    | TRSUZUKI        | 2006/08/24                                                                                                                    | 0.5 FFC CONN HSG ASSY FOR LVDS E/O STRAIGHT (GOLD) -LEAD FREE- |                        |
|                                                                                                                                                     | 30 OVER                                              | $\pm 0.3$     | CHECKED BY      | DATE                                                                                                                          |                                                                |                        |
|                                                                                                                                                     |                                                      |               | HIRATA          | 2006/08/24                                                                                                                    |                                                                |                        |
|                                                                                                                                                     | ANGULAR                                              | $\pm 1^\circ$ | APPROVED BY     | DATE                                                                                                                          |                                                                |                        |
|                                                                                                                                                     |                                                      |               | MSASAO          | 2006/08/24                                                                                                                    |                                                                |                        |
|                                                                                                                                                     | DRAFT WHERE APPLICABLE MUST REMAIN WITHIN DIMENSIONS |               | MATERIAL NO.    | DOCUMENT NO.                                                                                                                  | MOLEX INCORPORATED                                             |                        |
|                                                                                                                                                     |                                                      |               | SEE SHEET 1     | SD-502231-001                                                                                                                 | MOLEX INCORPORATED                                             |                        |
|                                                                                                                                                     |                                                      |               | SIZE            | THIS DRAWING CONTAINS INFORMATION THAT IS PROPRIETARY TO MOLEX INCORPORATED AND SHOULD NOT BE USED WITHOUT WRITTEN PERMISSION |                                                                |                        |
|                                                                                                                                                     |                                                      |               | A3              |                                                                                                                               |                                                                |                        |

10 9 8 7 6 5 4 3 2 1

NOTES

- 1.製品詳細寸法につきましては、製品単体図面を参照して下さい。  
FOR DETAIL OF CONNECTOR DIMENSIONS,  
PLEASE SEE THE DRAWING OF CONNECTOR ITSELF (NOT PACKAGED).
- 2.梱包数量: 1000個/リール  
NUMBER OF CONNECTORS : 1000PCS/REEL
- 3.リードテープの長さ  
LEAD TAPE LENGTH

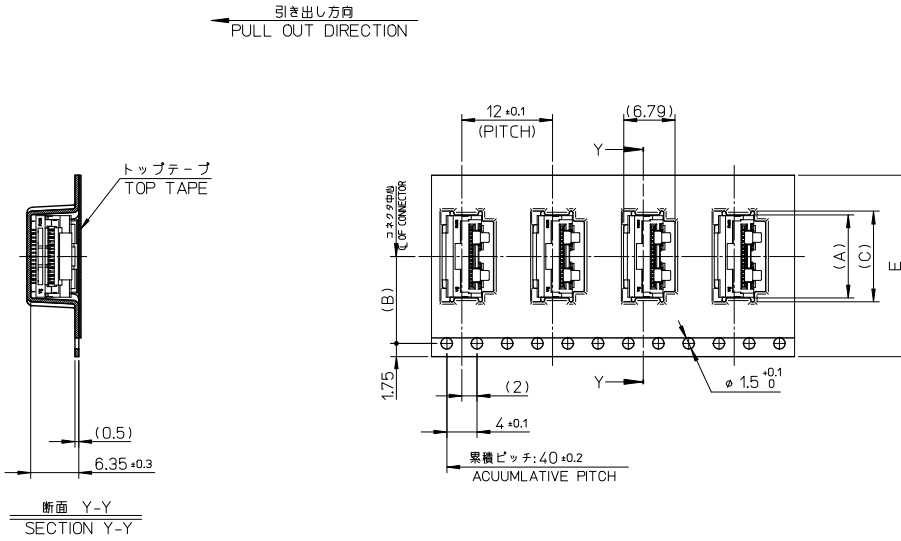


4.材料

MATERIAL  
 キャリアテープ : ポリスチレン (PS)  
 CARRIER TAPE : POLYSTYRENE (PS)  
 トップテープ : PET , OTHER  
 TOP TAPE : PET , OTHER  
 リール : ポリスチレン (リサイクル材を含む)  
 REEL : POLYSTYRENE (RECYCLE MATERIAL CONTAINED)

|                                                                                                                               |                                          |              |                            |            |                                                                                 |                        |                           |
|-------------------------------------------------------------------------------------------------------------------------------|------------------------------------------|--------------|----------------------------|------------|---------------------------------------------------------------------------------|------------------------|---------------------------|
| REVISED<br>EC NO. J2009-2073<br>DRAWN BY<br>DRW:HTAKASAKI 2009/03/13<br>CHKD:HWASHI 2009/03/13<br>APPR:MIKITA 2009/03/13<br>B | GENERAL TOLERANCES<br>(UNLESS SPECIFIED) |              | DIMENSION STYLE<br>MM ONLY |            | SCALE<br>---                                                                    | DESIGN UNITS<br>METRIC | THIRD ANGLE<br>PROJECTION |
|                                                                                                                               | 10 UNDER                                 | ± 0.2        | DRAWN BY                   | DATE       | TITLE<br>0.5 FFC CONN EMBSTP PKG<br>FOR LVDS E/O STRAIGHT<br>(GOLD) -LEAD FREE- |                        |                           |
|                                                                                                                               | 10 OVER 30 UNDER                         | ± 0.25       | TRSUZUKI                   | 2006/08/24 |                                                                                 |                        |                           |
|                                                                                                                               | 30 OVER                                  | ± 0.3        | CHECKED BY                 | DATE       | MOLEX INCORPORATED                                                              |                        |                           |
| ANGULAR                                                                                                                       | ± 1 °                                    | HIRATA       | 2006/08/24                 |            |                                                                                 |                        |                           |
| DRAFT WHERE APPLICABLE<br>MUST REMAIN<br>WITHIN DIMENSIONS                                                                    |                                          | MATERIAL NO. | DOCUMENT NO.               | SHEET NO.  |                                                                                 |                        |                           |
|                                                                                                                               |                                          | SEE SHEET 2  | SD-502231-002              | 1 OF 3     |                                                                                 |                        |                           |
| THIS DRAWING CONTAINS INFORMATION THAT IS PROPRIETARY TO MOLEX INCORPORATED AND SHOULD NOT BE USED WITHOUT WRITTEN PERMISSION |                                          |              |                            |            |                                                                                 |                        |                           |

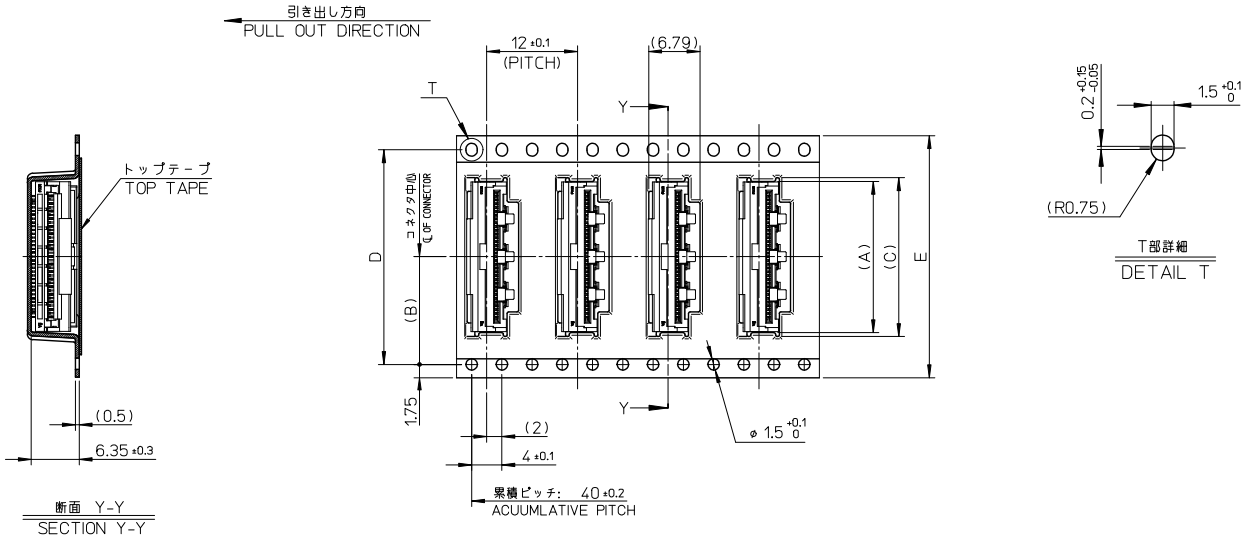
10 9 8 7 6 5 4 3 2 1



|      |      |                                     |     |     |      |     |                   |                      |                |
|------|------|-------------------------------------|-----|-----|------|-----|-------------------|----------------------|----------------|
| 29.4 | 25.4 | 24±0.3                              | --- | 12  | 11.5 | 11  | 502231-1509       | 502231-1500          | 15             |
| G    | F    | E<br>キャリアテープ幅<br>CARRIER TAPE WIDTH | D   | (C) | (B)  | (A) | 製品単体<br>CONNECTOR | 製品番号<br>MATERIAL NO. | 極数<br>CIRCUITS |

|                                                                                                                               |                                       |              |                            |                    |                                                                                                       |                        |                        |  |  |
|-------------------------------------------------------------------------------------------------------------------------------|---------------------------------------|--------------|----------------------------|--------------------|-------------------------------------------------------------------------------------------------------|------------------------|------------------------|--|--|
| SEE SHEET 1<br>EC NO. J2009-2073<br>DRW: HIRAKAWA<br>CHK: HIRAKAWA<br>APPR: NIKITA                                            | GENERAL TOLERANCES (UNLESS SPECIFIED) |              | DIMENSION STYLE<br>MM ONLY |                    | SCALE<br>---                                                                                          | DESIGN UNITS<br>METRIC | THIRD ANGLE PROJECTION |  |  |
|                                                                                                                               | 10 UNDER                              | ± 0.2        | DRAWN BY<br>IRSUZUKI       | DATE<br>2006/08/24 | TITLE<br>0.5 FFC CONN EMBSTP PKG<br>FOR LVDS E/O STRAIGHT<br>(GOLD) -LEAD FREE-<br>MOLEX INCORPORATED |                        |                        |  |  |
|                                                                                                                               | 10 OVER 30 UNDER                      | ± 0.25       | CHECKED BY<br>HIRATA       | DATE<br>2006/08/24 |                                                                                                       |                        |                        |  |  |
|                                                                                                                               | 30 OVER                               | ± 0.3        | APPROVED BY<br>MSASAO      | DATE<br>2006/08/24 |                                                                                                       |                        |                        |  |  |
| ANGULAR ±1 °                                                                                                                  |                                       | MATERIAL NO. |                            | DOCUMENT NO.       |                                                                                                       | SHEET NO.              |                        |  |  |
| DRAFT WHERE APPLICABLE MUST REMAIN WITHIN DIMENSIONS                                                                          |                                       | SEE CHART    |                            | SD-502231-002      |                                                                                                       | 2 OF 3                 |                        |  |  |
| THIS DRAWING CONTAINS INFORMATION THAT IS PROPRIETARY TO MOLEX INCORPORATED AND SHOULD NOT BE USED WITHOUT WRITTEN PERMISSION |                                       |              |                            |                    |                                                                                                       |                        |                        |  |  |

10 9 8 7 6 5 4 3 2 1



|      |      |                                     |      |      |      |      |                   |                      |                |
|------|------|-------------------------------------|------|------|------|------|-------------------|----------------------|----------------|
| 37.4 | 33.4 | 32±0.3                              | 28.4 | 21   | 14.2 | 20   | 502231-3309       | 502231-3300          | 33             |
|      |      |                                     |      | 16.5 |      | 15.5 | 502231-2409       | 502231-2400          | 24             |
| G    | F    | E<br>キャリアテープ幅<br>CARRIER TAPE WIDTH | D    | (C)  | (B)  | (A)  | 製品単体<br>CONNECTOR | 製品番号<br>MATERIAL NO. | 極数<br>CIRCUITS |

|                                                                                                                       |                                       |              |                            |                                                                                                                                  |                                                                                                       |                        |                        |
|-----------------------------------------------------------------------------------------------------------------------|---------------------------------------|--------------|----------------------------|----------------------------------------------------------------------------------------------------------------------------------|-------------------------------------------------------------------------------------------------------|------------------------|------------------------|
| SEE SHEET 1<br>EC NO: J2009-2073<br>DRAWN: TAKASAKI 2009/03/13<br>CHKD: HAYASHI 2009/03/13<br>APPR: NUKITA 2009/03/13 | GENERAL TOLERANCES (UNLESS SPECIFIED) |              | DIMENSION STYLE<br>MM ONLY |                                                                                                                                  | SCALE<br>---                                                                                          | DESIGN UNITS<br>METRIC | THIRD ANGLE PROJECTION |
|                                                                                                                       | 10 UNDER                              | ± 0.2        | DRAWN BY<br>TRSUZUKI       | DATE<br>2006/08/24                                                                                                               | TITLE<br>0.5 FFC CONN EMBSTP PKG<br>FOR LVDS E/O STRAIGHT<br>(GOLD) -LEAD FREE-<br>MOLEX INCORPORATED |                        |                        |
|                                                                                                                       | 10 OVER 30 UNDER                      | ± 0.25       | CHECKED BY<br>HHIRATA      | DATE<br>2006/08/24                                                                                                               |                                                                                                       |                        |                        |
|                                                                                                                       | 30 OVER                               | ± 0.3        | APPROVED BY<br>MSASAO      | DATE<br>2006/08/24                                                                                                               |                                                                                                       |                        |                        |
| ANGULAR ±1 °                                                                                                          |                                       | MATERIAL NO. |                            | DOCUMENT NO.<br>SD-502231-002                                                                                                    |                                                                                                       | SHEET NO.<br>3 OF 3    |                        |
| DRAFT WHERE APPLICABLE<br>MUST REMAIN<br>WITHIN DIMENSIONS                                                            |                                       | SEE CHART    |                            | THIS DRAWING CONTAINS INFORMATION THAT IS PROPRIETARY TO MOLEX<br>INCORPORATED AND SHOULD NOT BE USED WITHOUT WRITTEN PERMISSION |                                                                                                       |                        |                        |