

## Excellent Integrated System Limited

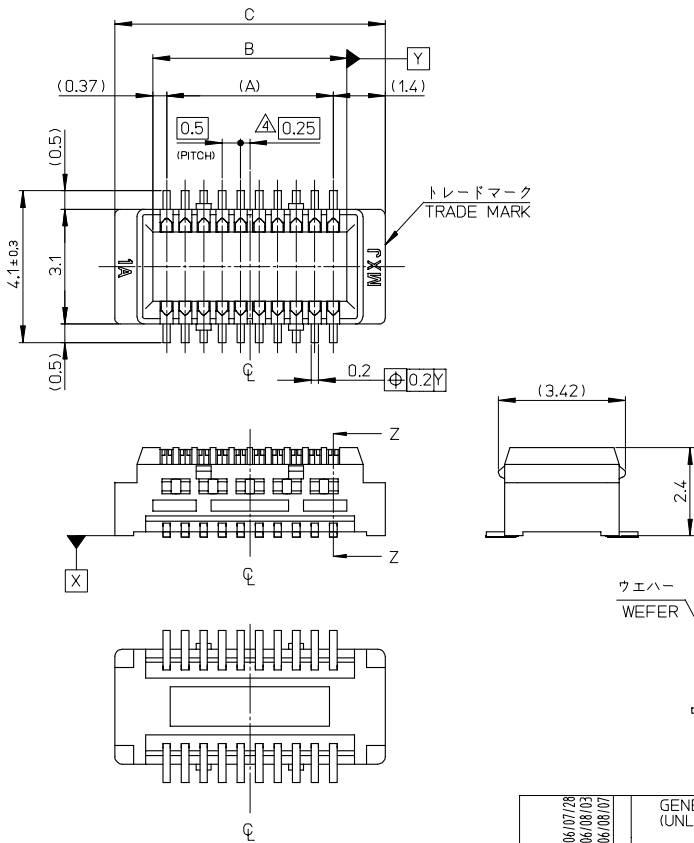
Stocking Distributor

Click to view price, real time Inventory, Delivery & Lifecycle Information:

[Molex Connector Corporation](#)  
[5022800204](#)

For any questions, you can email us directly:  
[sales@integrated-circuit.com](mailto:sales@integrated-circuit.com)

10 9 8 7 6 5 4 3 2 1

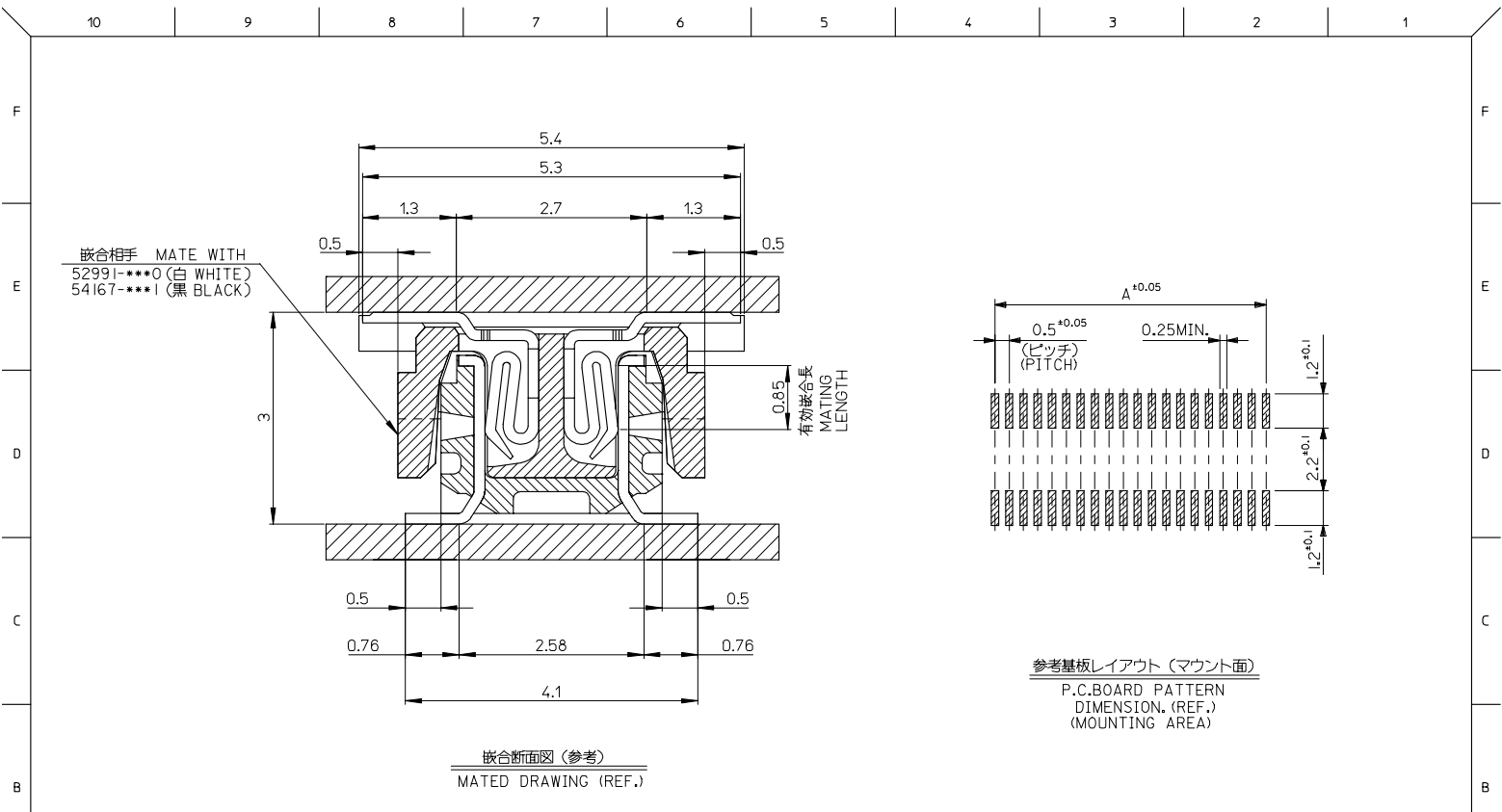


**注記**  
NOTES

1. 使用材料 MATERIAL  
ハウジング: LCPガラス入り (黒), UL94V-0  
HOUSING: LCP(G.F.)(COLOR: BLACK), UL94V-0  
ターミナル: 黄銅 (t=0.15)  
TERMINAL: BRASS (t=0.15)
2. メッキ仕様 PLATING  
全体仕上げ: 金メッキ 0.1 MICROMETER MIN.  
ALL OVER: GOLD 0.1 MICROMETER MIN.  
下地メッキ: ニッケルメッキ 1.5 MICROMETER MIN.  
UNDER PLATING: NICKEL 1.5 MICROMETER MIN.
3. 基準面 [X] からのソルダータールの半田付け面のズレ量は、上方向 0、下方向 0.15MAX. とする。  
MISALIGNMENT OF SOLDER TAIL FROM [X]  
: UPPER DIRECTION 0, LOWER DIRECTION 0.15 MAX.
- △ (全極数/2) = 偶数の場合に適用。  
APPLY FOR (CIRCUIT/2)=EVEN.
5. 嵌合相手: 52991 シリーズ 54167 シリーズ  
MATE WITH: 52991 SERIES, 54167 SERIES.
6. テール平坦度は、0.1MAX.  
TAIL COPLANARITY TO BE 0.1MAX.

7.3	5.24	4.5	502280-0200	20
C	B	A	ENG. No.	極数 CIRCUIT

RELEASED EC NO: J2007-0273 DRAWN: TENAGASE 2006/07/28 CHKD: THARUYAMA 2006/08/03 APPR: NUKITA 2006/08/07	GENERAL TOLERANCES (UNLESS SPECIFIED)		DIMENSION STYLE MM ONLY	SCALE 10:1	DESIGN UNITS METRIC	THIRD ANGLE PROJECTION
	10 UNDER	±0.2	DRAWN BY TENAGASE	DATE 06/05/25	TITLE 0.5 B-TO-B PLUG ASSY 0/M HGT=3.0 (W/O BOSS, NAIL) -LEAD FREE- Molex MOLEX INCORPORATED	
	10 OVER 30 UNDER	±0.25	CHECKED BY THARUYAMA	DATE 06/05/25		
	30 OVER	±0.3	APPROVED BY NUKITA	DATE 06/05/25		
0	DESCRIPTION	ANGULAR ±3°	MATERIAL NO. 502280-***00	DOCUMENT NO. SD-502280-001	SHEET NO. 1 OF 2	
		DRAFT WHERE APPLICABLE MUST REMAIN WITHIN DIMENSIONS	SIZE THIS DRAWING CONTAINS INFORMATION THAT IS PROPRIETARY TO MOLEX INCORPORATED AND SHOULD NOT BE USED WITHOUT WRITTEN PERMISSION			

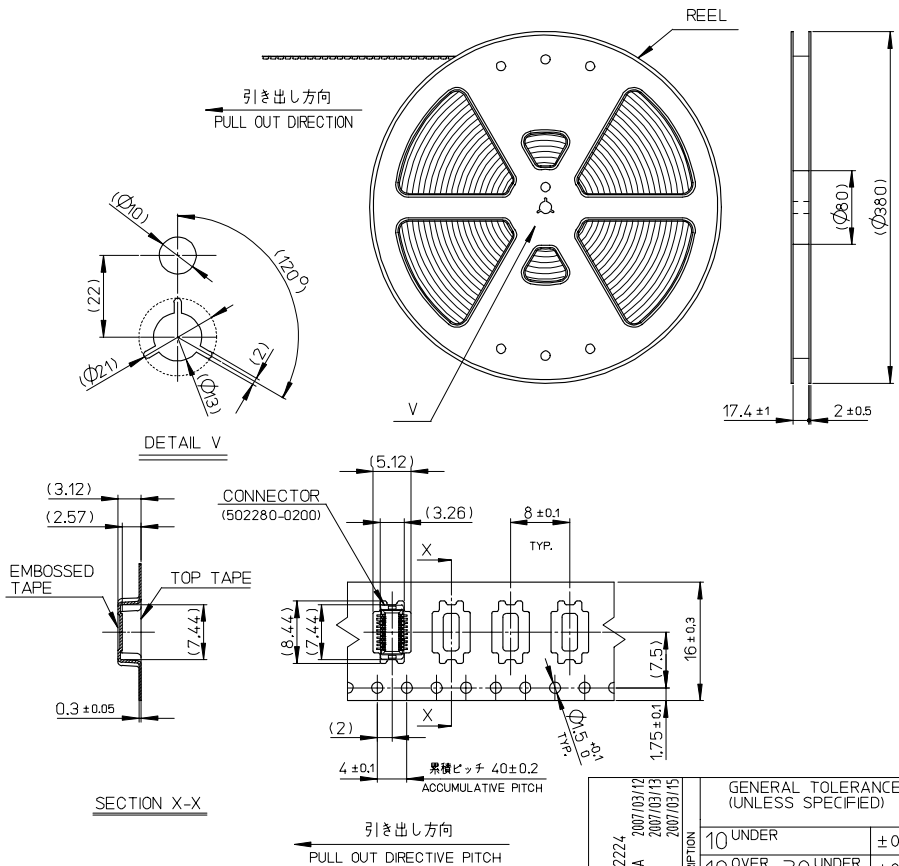


RELEASED EC NO: J2007-0273 DRAWN: TENAGASE 2006/08/28 CHKD: THARUYAMA 2006/08/03 APPR: NUKITA 2006/08/07 REV: 0	GENERAL TOLERANCES (UNLESS SPECIFIED)		DIMENSION STYLE MM ONLY	SCALE 10:1	DESIGN UNITS METRIC	THIRD ANGLE PROJECTION
	10 UNDER	±0.2	DRAWN BY TENAGASE	DATE 06/05/25	TITLE 0.5 B-TO-B PLUG ASSY O/M HGT=3.0 (W/O BOSS, NAIL) -LEAD FREE-	
	10 OVER 30 UNDER	±0.25	CHECKED BY THARUYAMA	DATE 06/05/25	MOLEX INCORPORATED	
	30 OVER	±0.3	APPROVED BY NUKITA	DATE 06/05/25		
	ANGULAR	±3°	MATERIAL NO. 502280-***00	DOCUMENT NO. SD-502280-001	SHEET NO. 2 OF 2	
DRAFT WHERE APPLICABLE MUST REMAIN WITHIN DIMENSIONS		SIZE A3 THIS DRAWING CONTAINS INFORMATION THAT IS PROPRIETARY TO MOLEX INCORPORATED AND SHOULD NOT BE USED WITHOUT WRITTEN PERMISSION				

10 9 8 7 6 5 4 3 2 1

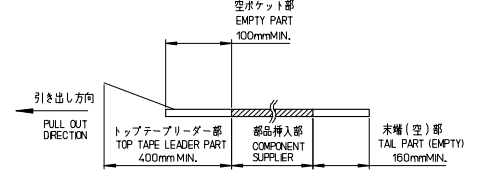
F  
E  
D  
C  
B  
A

F  
E  
D  
C  
B  
A



**注記**  
NOTES

- 製品詳細寸法については製品単体図面参照。  
DETAILED DIMENTION OF THIS PRODUCT. SEE PRODUCT DRAWING.
- 梱包数量：3000個/リール  
NUMBER OF CONNECTORS：3000 PCS/REEL
- リードテープ長さ  
LEAD TAPE LENGTH



- 材料 MATERIAL  
キャリアテープ：ポリスチレン  
CARRIER TAPE：POLYSTYRENE  
トップテープ：PET+その他  
TOP TAPE：PET+OTHERS  
リール：ポリスチレン<リサイクル材含む>  
REEL：POLYSTYRENE<RECYCLE MATERIAL CONTAINED>

16mm	502280-0204	20
キャリアテープ幅 CARRIER TAPE WIDTH	製品番号 MATERIAL No.	極数 CIRCUIT
SCALE ---	DESIGN UNITS METRIC	THIRD ANGLE PROJECTION

REVISED EC NO: J2007-2224 DR: NIKIYUKA CHK: KIKUYODA APP: NIKITA	DESCRIPTION	GENERAL TOLERANCES (UNLESS SPECIFIED)	DIMENSION STYLE MM ONLY	DRAWN BY TENAGASE	DATE 06/05/25	TITLE EMBOSSD TAPE PKG FOR 0.5 B-TO-B PLUG ASSY 0/M HGT=3.0 -LEAD FREE-
	10 UNDER	±0.2	CHECKED BY THARUYAMA	DATE 06/05/25	APPROVED BY NUKITA	DATE 06/05/25
	10 OVER 30 UNDER	±0.25	ANGULAR	±3°	MATERIAL NO. 502280-**-04	DOCUMENT NO. SD-502280-002
	30 OVER	±0.3	DRAFT WHERE APPLICABLE MUST REMAIN WITHIN DIMENSIONS	SIZE A3	THIS DRAWING CONTAINS INFORMATION THAT IS PROPRIETARY TO MOLEX INCORPORATED AND SHOULD NOT BE USED WITHOUT WRITTEN PERMISSION	