



**Distributor of Molex Connector Corporation: Excellent Integrated System Limited**  
Datasheet of 5023820972 - Connector Receptacle 9 Position 0.049" (1.25mm) Tin Surface  
Mount

Contact us: [sales@integrated-circuit.com](mailto:sales@integrated-circuit.com) Website: [www.integrated-circuit.com](http://www.integrated-circuit.com)

---

## **Excellent Integrated System Limited**

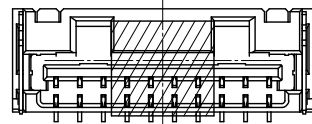
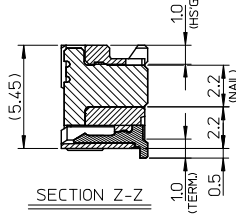
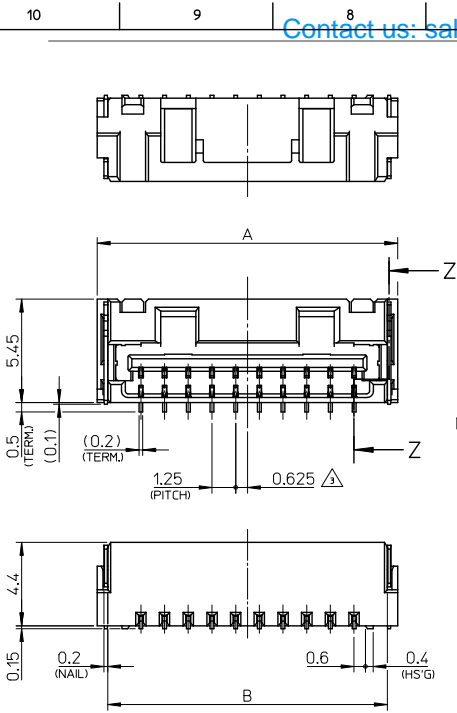
Stocking Distributor

Click to view price, real time Inventory, Delivery & Lifecycle Information:

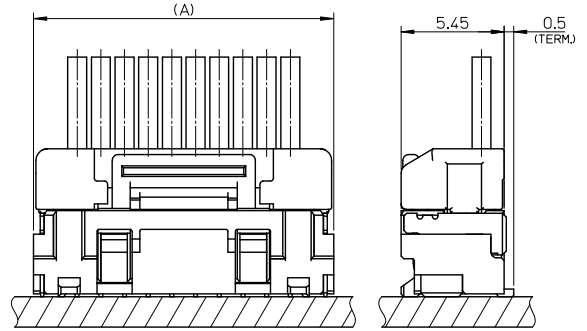
[Molex Connector Corporation](#)  
[5023820972](#)

For any questions, you can email us directly:  
[sales@integrated-circuit.com](mailto:sales@integrated-circuit.com)

Contact us: sales@integrated-circuit.com Website: www.integrated-circuit.com



カプトンテープ付き  
WITH KAPTON TAPE



嵌合図  
MATED CONNECTORS

NOTES

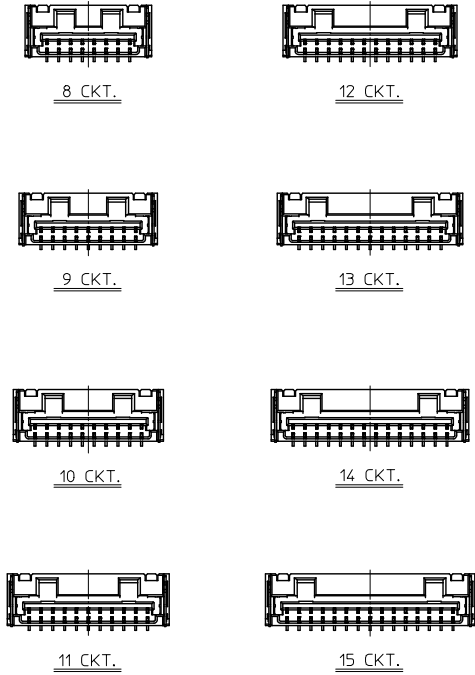
1. 嵌合相手: 502380-\*\*\*\*  
MATE WITH: 502380-\*\*\*\*
2. 端子テール部 及び ネイルの平坦度: 0.1MAX.  
TAIL AND NAIL COPLANARITY TO BE 0.1 MAX.
3.  $\Delta$  極数/2=偶数に適用.  
APPLY FOR CKT. SIZE / 2 = EVEN.
4. 端子テール部 及び ネイルに鍍めつきを使用しているため、  
外觀に摺動痕が付く場合が御座います。  
THE WOUND OF FRICTION MIGHT ADHERE TO EXTERNALS  
BECAUSE THE TIN PLATING IS USED FOR THE TAIL AND NAIL.
5. 本製品のプラスチック部に黒点等が確認される場合や  
色合いが異なる場合がありますが、製品性能に影響はありません。  
THERE IS NO INFLUENCE IN THE PRODUCT PERFORMANCE THOUGH  
THE BLACK SPOT ETC. MIGHT BE CONFIRMED TO THE PLASTIC PART  
OF THIS PRODUCT AND THE SHADE MIGHT BE DIFFERENT.
6. ELV 及び RoHS 適合品  
ELV AND RoHS COMPLIANT

|       |       |       |       |             |    |
|-------|-------|-------|-------|-------------|----|
| 11.15 | 17.5  | 21    | 22.1  | 502382-15** | 15 |
| 9.9   | 16.25 | 19.75 | 20.85 | 502382-14** | 14 |
| 8.65  | 15    | 18.5  | 19.6  | 502382-13** | 13 |
| 7.4   | 13.75 | 17.25 | 18.35 | 502382-12** | 12 |
| 6.15  | 12.5  | 16    | 17.1  | 502382-11** | 11 |
| 4.9   | 11.25 | 14.75 | 15.85 | 502382-10** | 10 |
| 3.65  | 10    | 13.5  | 14.6  | 502382-09** | 9  |
| 2.4   | 8.75  | 12.25 | 13.35 | 502382-08** | 8  |

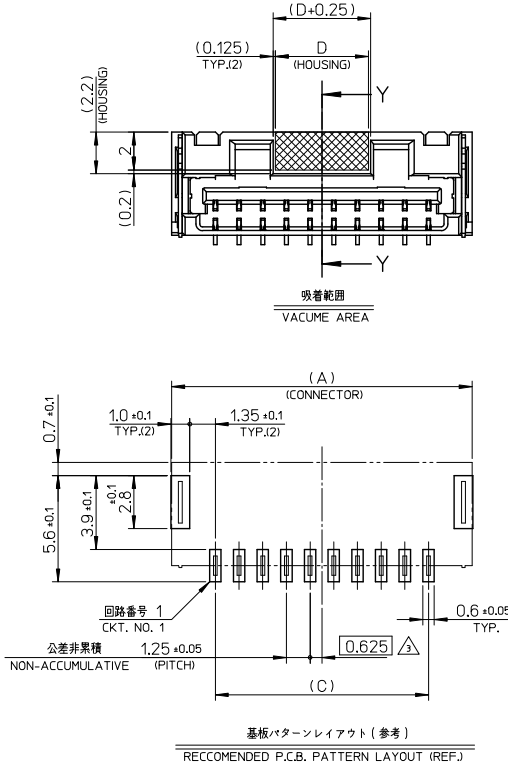
| 番号<br>NO. | 部品<br>PART        | 材質<br>MATERIAL  |
|-----------|-------------------|---|
| ①         | ハウジング<br>HOUSING  | 耐熱性樹脂 UL94V-0 色:SHEET 3 参照<br>HEATPROOF RESIN UL94V-0 COLOR: SEE SHEET 3  |
| ②         | ターミナル<br>TERMINAL | 銅合金<br>COPPER ALLOY<br>鍍めつき: 1.0 micro-meter MIN.<br>TIN (TAIL AREA)<br>ニッケルめつき(下地): 1.0 micro-meter MIN.<br>NICKEL (UNDER PLATING) |
| ③         | ネイル<br>NAIL       | 銅合金<br>COPPER ALLOY<br>鍍めつき: 1.0 micro-meter MIN.<br>TIN<br>ニッケルめつき(下地): 1.0 micro-meter MIN.<br>NICKEL (UNDER PLATING)             |

|  |  |              |                            |                    |   |  |                           |
|--|--|--------------|----------------------------|--------------------|---|--|---------------------------|
| REVISED<br>DEC. NO. J2013-0870<br>TIDRINKAWASHIO 2013/02/07<br>CHIKUDAKAWA 2013/02/13<br>APPR:Y.ITO 2013/02/13 | GENERAL TOLERANCES<br>(UNLESS SPECIFIED) |              | DIMENSION STYLE<br>MM ONLY |                    | SCALE<br>5:1  | DESIGN UNITS<br>METRIC   | THIRD ANGLE<br>PROJECTION |
|  | 10 UNDER                                 | ± 0.2        | DRAWN BY<br>T. MIYAZAKI    | DATE<br>2006/08/28 | TITLE<br>1.25 W/B CONN. SINGLE<br>S/T REC. ASS'Y 8-15CKT.<br><br><b>molex</b><br>DOCUMENT NO.<br>SD-502382-002<br>SHEET NO.<br>1 OF 3 |  |                           |
|  | 10 OVER 30 UNDER                         | ± 0.25       | CHECKED BY<br>K. ASAKAWA   | DATE<br>2006/08/28 |   |  |                           |
|  | 30 OVER                                  | ± 0.3        | APPROVED BY<br>Y.O. ITO    | DATE<br>2006/08/28 |   |  |                           |
| ANGULAR ±3 °   |  | MATERIAL NO. |                            |                    |   |  |                           |
| DRAFT WHERE APPLICABLE<br>MUST REMAIN<br>WITHIN DIMENSIONS   |  |              |                            | SEE TABLE          |   | THIS DRAWING CONTAINS INFORMATION THAT IS PROPRIETARY TO MOLEX<br>INCORPORATED AND SHOULD NOT BE USED WITHOUT WRITTEN PERMISSION |                           |

Contact us: sales@integrated-circuit.com Website: www.integrated-circuit.com



極数の種類  
KIND OF CKT. NO. (FRONT VIEW)



|  |                                       |  |                            |                               |   |                        |
|--|---------------------------------------|--|----------------------------|-------------------------------|---|------------------------|
| REVISED<br>EC NO. J2013-0870<br>DRAWN BY T. MIYAZAKI<br>CHECKED BY K. ASAKAWA<br>APPR. YO. ITO<br>2013/02/07<br>2013/02/13<br>2013/02/13 | GENERAL TOLERANCES (UNLESS SPECIFIED) |  | DIMENSION STYLE<br>MM ONLY | SCALE<br>5:1                  | DESIGN UNITS<br>METRIC                                    | THIRD ANGLE PROJECTION |
|  | 10 UNDER                              | ± 0.2  | DRAWN BY<br>T. MIYAZAKI    | DATE<br>2006/08/28            | TITLE<br>1.25 W/B CONN. SINGLE<br>S/T REC. ASS'Y 8-15CKT. |                        |
|  | 10 OVER 30 UNDER                      | ± 0.25   | CHECKED BY<br>K. ASAKAWA   | DATE<br>2006/08/28            |   |                        |
|  | 30 OVER                               | ± 0.3  | APPROVED BY<br>YO. ITO     | DATE<br>2006/08/28            |   |                        |
| ANGULAR ±3 °   |                                       | MATERIAL NO.<br>SEE TABLE  |                            | DOCUMENT NO.<br>SD-502382-002 | SHEET NO.<br>2 OF 3                                       |                        |
| DRAFT WHERE APPLICABLE<br>MUST REMAIN<br>WITHIN DIMENSIONS   |                                       | SIZE A3 THIS DRAWING CONTAINS INFORMATION THAT IS PROPRIETARY TO MOLEX<br>INCORPORATED AND SHOULD NOT BE USED WITHOUT WRITTEN PERMISSION |                            |                               |   |                        |

Contact us: sales@integrated-circuit.com Website: www.integrated-circuit.com

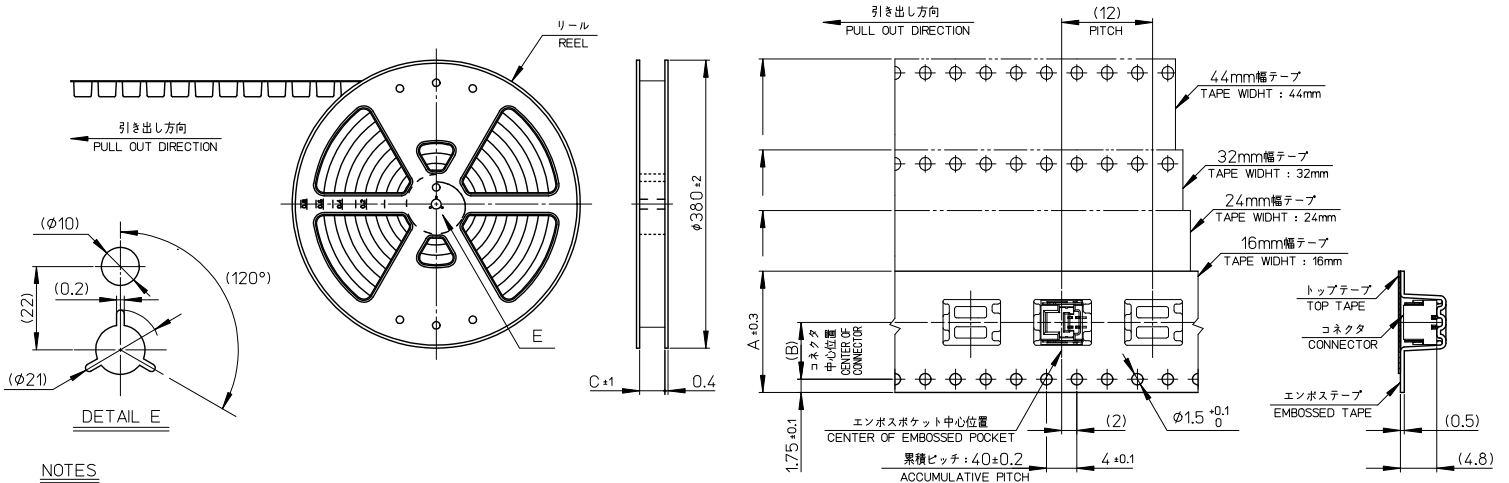
| WITH CAPTON TAPE     |                  |                      |                  |                      |                  |                      |                  |                      |                  |                      |                  |            |
|----------------------|------------------|----------------------|------------------|----------------------|------------------|----------------------|------------------|----------------------|------------------|----------------------|------------------|------------|
| HSG COLOR : GREEN    |                  | HSG COLOR : BLUE     |                  | HSG COLOR : YELLOW   |                  | HSG COLOR : RED      |                  | HSG COLOR : BLACK    |                  | HSG COLOR : NATURAL  |                  |            |
| 502382-1536          | 502382-***16     | 502382-1534          | 502382-***14     | ≡                    | 502382-***13     | 502382-1532          | 502382-***12     | 502382-1531          | 502382-***11     | 502382-1572          | 502382-***08     | 15         |
| 502382-1436          |                  | 502382-1434          |                  | ≡                    |                  | 502382-1432          |                  | 502382-1431          |                  | 502382-1472          |                  | 14         |
| 502382-1336          |                  | 502382-1334          |                  | ≡                    |                  | 502382-1332          |                  | 502382-1331          |                  | 502382-1372          |                  | 13         |
| 502382-1236          |                  | 502382-1234          |                  | ≡                    |                  | 502382-1232          |                  | 502382-1231          |                  | 502382-1272          |                  | 12         |
| 502382-1136          |                  | 502382-1134          |                  | ≡                    |                  | 502382-1132          |                  | 502382-1131          |                  | 502382-1172          |                  | 11         |
| 502382-1036          |                  | 502382-1034          |                  | ≡                    |                  | 502382-1032          |                  | 502382-1031          |                  | 502382-1072          |                  | 10         |
| 502382-0936          |                  | 502382-0934          |                  | ≡                    |                  | 502382-0932          |                  | 502382-0931          |                  | 502382-0972          |                  | 9          |
| 502382-0836          |                  | 502382-0834          |                  | ≡                    |                  | 502382-0832          |                  | 502382-0831          |                  | 502382-0872          |                  | 8          |
| EMBOSSD TAPE PACKAGE | コネクタシリーズ         | EMBOSSD TAPE PACKAGE | コネクタシリーズ         | EMBOSSD TAPE PACKAGE | コネクタシリーズ         | EMBOSSD TAPE PACKAGE | コネクタシリーズ         | EMBOSSD TAPE PACKAGE | コネクタシリーズ         | EMBOSSD TAPE PACKAGE | コネクタシリーズ         | 極数         |
| オーダー番号ORDER No.      | CONNECTOR SERIES | オーダー番号ORDER No.      | CONNECTOR SERIES | オーダー番号ORDER No.      | CONNECTOR SERIES | オーダー番号ORDER No.      | CONNECTOR SERIES | オーダー番号ORDER No.      | CONNECTOR SERIES | オーダー番号ORDER No.      | CONNECTOR SERIES | (EXT. NO.) |

| WITH CAPTON TAPE     |                  |            |
|----------------------|------------------|------------|
| HSG COLOR : ORANGE   |                  |            |
| ≡                    | 502382-***18     | 15         |
| ≡                    |                  | 14         |
| ≡                    |                  | 13         |
| ≡                    |                  | 12         |
| ≡                    |                  | 11         |
| ≡                    |                  | 10         |
| ≡                    |                  | 9          |
| ≡                    |                  | 8          |
| EMBOSSD TAPE PACKAGE | コネクタシリーズ         | 極数         |
| オーダー番号ORDER No.      | CONNECTOR SERIES | (EXT. NO.) |

| WITHOUT CAPTON TAPE  |                  |            |
|----------------------|------------------|------------|
| HSG COLOR : NATURAL  |                  |            |
| 502382-1570          | 502382-***09     | 15         |
| 502382-1470          |                  | 14         |
| 502382-1370          |                  | 13         |
| 502382-1270          |                  | 12         |
| 502382-1170          |                  | 11         |
| 502382-1070          |                  | 10         |
| 502382-0970          |                  | 9          |
| 502382-0870          |                  | 8          |
| EMBOSSD TAPE PACKAGE | コネクタシリーズ         | 極数         |
| オーダー番号ORDER No.      | CONNECTOR SERIES | (EXT. NO.) |

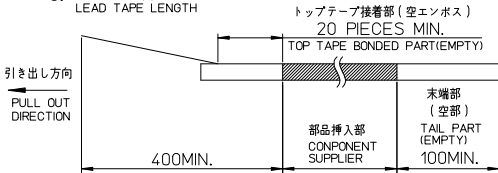
|   |                                       |           |                            |                    |  |                        |                        |
|---|---------------------------------------|-----------|----------------------------|--------------------|--|------------------------|------------------------|
| REVISED<br>IEC NO. J2013-0870<br>T. MIYAZAKI 2013/02/07<br>CHIKIDAKAKAWA 2013/02/13<br>APPR. Y. ITO 2013/02/13<br>DESCRIPTION | GENERAL TOLERANCES (UNLESS SPECIFIED) |           | DIMENSION STYLE<br>MM ONLY |                    | SCALE<br>-----   | DESIGN UNITS<br>METRIC | THIRD ANGLE PROJECTION |
|   | 10 UNDER                              | ± 0.2     | DRAWN BY<br>T. MIYAZAKI    | DATE<br>2006/08/28 | TITLE<br>1.25 W/B CONN. SINGLE S/T REC. ASS'Y 8-15CKT. |                        |                        |
|   | 10 OVER 30 UNDER                      | ± 0.25    | CHECKED BY<br>K. ASAKAWA   | DATE<br>2006/08/28 |  |                        |                        |
|   | 30 OVER                               | ± 0.3     | APPROVED BY<br>Y. ITO      | DATE<br>2006/08/28 |  |                        |                        |
|   | ANGULAR ±3 °                          |           | MATERIAL NO.               |                    | DOCUMENT NO.   | SHEET NO.              |                        |
| DRAFT WHERE APPLICABLE MUST REMAIN WITHIN DIMENSIONS  |                                       | SEE TABLE |                            | SD-502382-002      | 3 OF 3   |                        |                        |
| THIS DRAWING CONTAINS INFORMATION THAT IS PROPRIETARY TO MOLEX INCORPORATED AND SHOULD NOT BE USED WITHOUT WRITTEN PERMISSION |                                       |           |                            |                    |  |                        |                        |

Contact us: sales@integrated-circuit.com Website: www.integrated-circuit.com



**NOTES**

- 製品詳細寸法については、SD-502382-001, -002 を参照下さい。  
PLEASE REFER TO SD-502382-001, -002 FOR THE DETAILED DIMENSION OF THE CONNECTOR.
- 梱包数量 : 1400個  
NUMBER OF CONNECTORS : 1400 PIECES/REEL.
- リードテープ長さ  
LEAD TAPE LENGTH



- 材料  
MATERIAL  
キャリアテープ : ポリスチレン  
CARRIER TAPE : POLYSTYRENE  
トップテープ : ポリエステル, ポリエチレン, ポリエチレンテレフタレート  
TOP TAPE : POLYESTER, POLYETHYLENE, POLYETHYLENE TEREPHTHALATE  
リール : ポリスチレン <リサイクル材を含む>  
REEL : POLYSTYRENE <RECYCLOE MATERIAL CONTAINED>
- ELV 及び RoHS 適合品  
ELV AND RoHS COMPLIANT

|      |      |    |             |    |
|------|------|----|-------------|----|
| 45.5 | 20.2 | 44 | 502382-15** | 15 |
| 45.5 | 20.2 | 44 | 502382-14** | 14 |
| 33.5 | 14.2 | 32 | 502382-13** | 13 |
| 33.5 | 14.2 | 32 | 502382-12** | 12 |
| 33.5 | 14.2 | 32 | 502382-11** | 11 |
| 33.5 | 14.2 | 32 | 502382-10** | 10 |
| 25.5 | 11.5 | 24 | 502382-09** | 9  |
| 25.5 | 11.5 | 24 | 502382-08** | 8  |
| 25.5 | 11.5 | 24 | 502382-07** | 7  |
| 25.5 | 11.5 | 24 | 502382-06** | 6  |
| 25.5 | 11.5 | 24 | 502382-05** | 5  |
| 25.5 | 11.5 | 24 | 502382-04** | 4  |
| 17.5 | 7.5  | 16 | 502382-03** | 3  |
| 17.5 | 7.5  | 16 | 502382-02** | 2  |

|   |                                       |  |                            |                    |   |   |                        |                      |                     |
|---|---------------------------------------|--|----------------------------|--------------------|---|---|------------------------|----------------------|---------------------|
| REVISED<br>EC NO. J2013-0870<br>T. DRUMWASHIO 2013/02/07<br>CHIKIDAKAKAWA 2013/02/13<br>APPR. Y. ITO 2013/02/13 | GENERAL TOLERANCES (UNLESS SPECIFIED) |  | DIMENSION STYLE<br>MM ONLY |                    | SCALE<br>---                                      | DESIGN UNITS<br>METRIC  | THIRD ANGLE PROJECTION | 製品番号<br>MATERIAL NO. | 極数<br>(XT. NO.)     |
|   | 10 UNDER                              | ±0.2   | DRAWN BY<br>T. MIYAZAKI    | DATE<br>2006/10/16 | TITLE<br>1.25 W/B CONN. SINGLE S/T REC. EMBTP PKG |   | molex                  | SD-502382-003        | SHEET NO.<br>1 OF 2 |
|   | 10 OVER 30 UNDER                      | ±0.25  | CHECKED BY<br>K. ASAKAWA   | DATE<br>2006/10/16 | DOCUMENT NO.                                      |   |                        |                      |                     |
|   | 30 OVER                               | ±0.3   | APPROVED BY<br>Y. ITO      | DATE<br>2006/10/16 | MATERIAL NO.                                      |   |                        |                      |                     |
| ANGULAR ±3 °  |                                       | DRAFT WHERE APPLICABLE MUST REMAIN WITHIN DIMENSIONS |                            | SEE TABLE          |   | THIS DRAWING CONTAINS INFORMATION THAT IS PROPRIETARY TO MOLEX INCORPORATED AND SHOULD NOT BE USED WITHOUT WRITTEN PERMISSION |                        |                      |                     |