



Distributor of Molex Connector Corporation: Excellent Integrated System Limited
Datasheet of 5023821272 - Connector Receptacle 12 Position 0.049" (1.25mm) Tin Surface Mount

Contact us: sales@integrated-circuit.com Website: www.integrated-circuit.com

Excellent Integrated System Limited

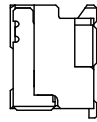
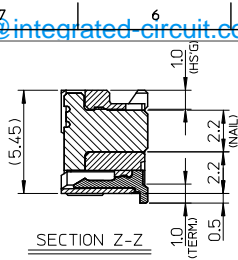
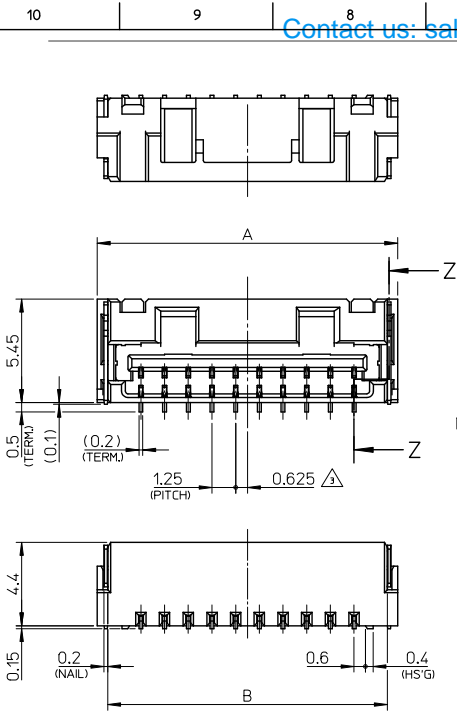
Stocking Distributor

Click to view price, real time Inventory, Delivery & Lifecycle Information:

[Molex Connector Corporation](#)
[5023821272](#)

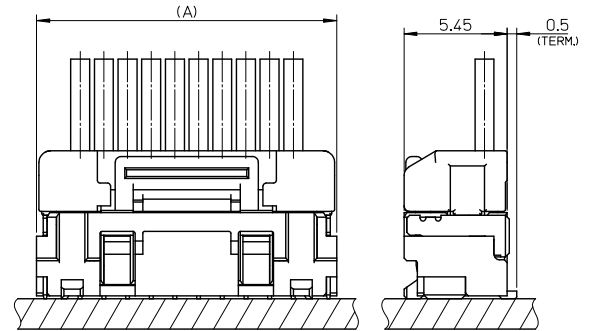
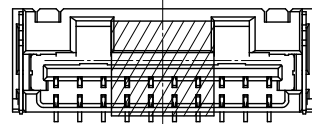
For any questions, you can email us directly:
sales@integrated-circuit.com

Contact us: sales@integrated-circuit.com Website: www.integrated-circuit.com



NOTES

1. 嵌合相手: 502380-****
MATE WITH: 502380-****
2. 端子テール部 及び ネイルの平坦度: 0.1MAX.
TAIL AND NAIL COPLANARITY TO BE 0.1 MAX.
- △ 極数/△=偶数に適用.
APPLY FOR CKT. SIZE / 2 = EVEN.
4. 端子テール部 及び ネイルに鍍めつきを使用しているため、
外觀に摺動痕が付く場合が御座います。
THE WOUND OF FRICTION MIGHT ADHERE TO EXTERNALS
BECAUSE THE TIN PLATING IS USED FOR THE TAIL AND NAIL.
5. 本製品のプラスチック部に黒点等が確認される場合や
色合いが異なる場合がありますが、製品性能に影響はありません。
THERE IS NO INFLUENCE IN THE PRODUCT PERFORMANCE THOUGH
THE BLACK SPOT ETC. MIGHT BE CONFIRMED TO THE PLASTIC PART
OF THIS PRODUCT AND THE SHADE MIGHT BE DIFFERENT.
6. ELV 及び RoHS 適合品
ELV AND RoHS COMPLIANT



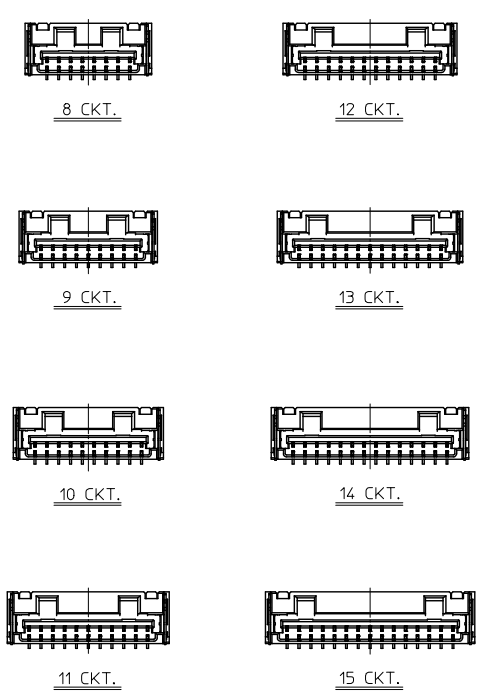
嵌合図
MATED CONNECTORS

11.15	17.5	21	22.1	502382-15**	15
9.9	16.25	19.75	20.85	502382-14**	14
8.65	15	18.5	19.6	502382-13**	13
7.4	13.75	17.25	18.35	502382-12**	12
6.15	12.5	16	17.1	502382-11**	11
4.9	11.25	14.75	15.85	502382-10**	10
3.65	10	13.5	14.6	502382-09**	9
2.4	8.75	12.25	13.35	502382-08**	8
D	C	B	A	EMBOSSED TAPE PACKAGE オーダー番号 ORDER No. [EXT. NO.]	極数

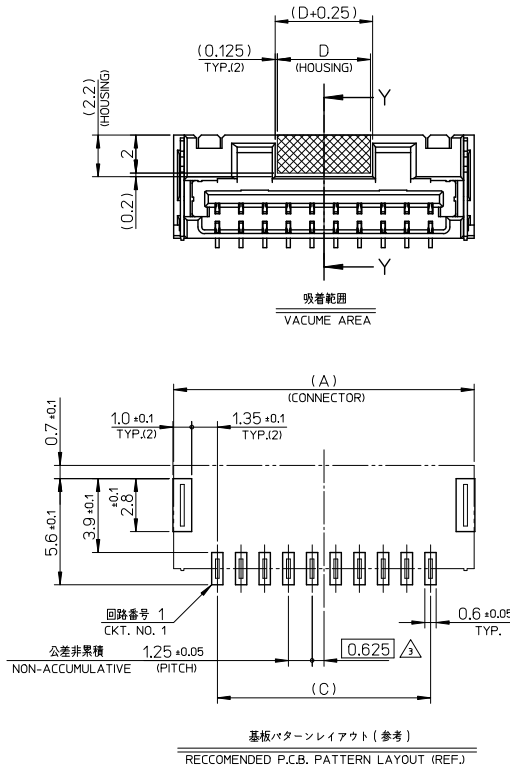
番号 NO.	部品 PART	材質 MATERIAL
①	ハウジング HOUSING	耐熱性樹脂 UL94V-0 色:SHEET 3 参照 HEATPROOF RESIN UL94V-0 COLOR: SEE SHEET 3
②	ターミナル TERMINAL	銅合金 COPPER ALLOY 鍍めつき: 1.0 micro-meter MIN. TIN (TAIL AREA) ニッケルめつき(下地): 1.0 micro-meter MIN. NICKEL (UNDER PLATING)
③	ネイル NAIL	銅合金 COPPER ALLOY 鍍めつき: 1.0 micro-meter MIN. TIN ニッケルめつき(下地): 1.0 micro-meter MIN. NICKEL (UNDER PLATING)

REVISED DEC. NO. J2013-0870 TIDRANKAWASHIO 2013/02/07 CHIKUDAKAWA 2013/02/13 APPR:Y.ITO 2013/02/13	GENERAL TOLERANCES (UNLESS SPECIFIED)		DIMENSION STYLE MM ONLY		SCALE 5:1	DESIGN UNITS METRIC	THIRD ANGLE PROJECTION
	10 UNDER	± 0.2	DRAWN BY T. MIYAZAKI	DATE 2006/08/28	TITLE 1.25 W/B CONN. SINGLE S/T REC. ASS'Y 8-15CKT. molex DOCUMENT NO. SD-502382-002 SHEET NO. 1 OF 3		
	10 OVER 30 UNDER	± 0.25	CHECKED BY K. ASAKAWA	DATE 2006/08/28			
	30 OVER	± 0.3	APPROVED BY Y.O. ITO	DATE 2006/08/28			
ANGULAR ±3 °		MATERIAL NO.					
DRAFT WHERE APPLICABLE MUST REMAIN WITHIN DIMENSIONS		SEE TABLE		THIS DRAWING CONTAINS INFORMATION THAT IS PROPRIETARY TO MOLEX INCORPORATED AND SHOULD NOT BE USED WITHOUT WRITTEN PERMISSION			

Contact us: sales@integrated-circuit.com Website: www.integrated-circuit.com



極数の種類
KIND OF CKT. NO. (FRONT VIEW)




REVISED EC NO. J2013-0870 DRAWN BY T. MIYAZAKI CHECKED BY K. ASAKAWA APPR. YO ITO 2013/02/07 2013/02/13 2013/02/13	GENERAL TOLERANCES (UNLESS SPECIFIED)		DIMENSION STYLE MM ONLY	SCALE 5:1	DESIGN UNITS METRIC	THIRD ANGLE PROJECTION
	10 UNDER	± 0.2	DRAWN BY T. MIYAZAKI	DATE 2006/08/28	TITLE 1.25 W/B CONN. SINGLE S/T REC. ASS'Y 8-15CKT.	
	10 OVER 30 UNDER	± 0.25	CHECKED BY K. ASAKAWA	DATE 2006/08/28		
	30 OVER	± 0.3	APPROVED BY YO. ITO	DATE 2006/08/28		
ANGULAR	± 3 °	MATERIAL NO. SEE TABLE		DOCUMENT NO. SD-502382-002	SHEET NO. 2 OF 3	
DRAFT WHERE APPLICABLE MUST REMAIN WITHIN DIMENSIONS		THIS DRAWING CONTAINS INFORMATION THAT IS PROPRIETARY TO MOLEX INCORPORATED AND SHOULD NOT BE USED WITHOUT WRITTEN PERMISSION				

Contact us: sales@integrated-circuit.com Website: www.integrated-circuit.com

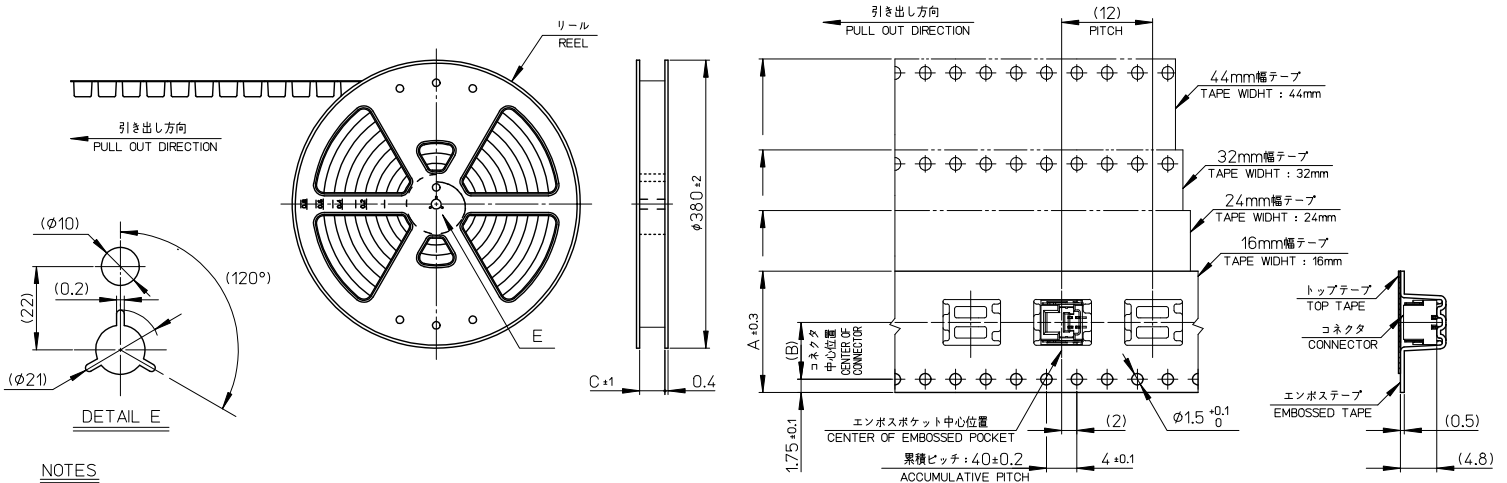
WITH CAPTON TAPE												
HSG COLOR : GREEN		HSG COLOR : BLUE		HSG COLOR : YELLOW		HSG COLOR : RED		HSG COLOR : BLACK		HSG COLOR : NATURAL		
502382-1536	502382-***16	502382-1534	502382-***14	≡	502382-***13	502382-1532	502382-***12	502382-1531	502382-***11	502382-1572	502382-***08	
502382-1436		502382-1434		≡		502382-1432		502382-1431		502382-1472		
502382-1336		502382-1334		≡		502382-1332		502382-1331		502382-1372		
502382-1236		502382-1234		≡		502382-1232		502382-1231		502382-1272		
502382-1136		502382-1134		≡		502382-1132		502382-1131		502382-1172		
502382-1036		502382-1034		≡		502382-1032		502382-1031		502382-1072		
502382-0936		502382-0934		≡		502382-0932		502382-0931		502382-0972		
502382-0836		502382-0834		≡		502382-0832		502382-0831		502382-0872		
EMBOSSD TAPE PACKAGE オーダー番号ORDER No.	コネクタシリーズ CONNECTOR SERIES	EMBOSSD TAPE PACKAGE オーダー番号ORDER No.	コネクタシリーズ CONNECTOR SERIES	EMBOSSD TAPE PACKAGE オーダー番号ORDER No.	コネクタシリーズ CONNECTOR SERIES	EMBOSSD TAPE PACKAGE オーダー番号ORDER No.	コネクタシリーズ CONNECTOR SERIES	EMBOSSD TAPE PACKAGE オーダー番号ORDER No.	コネクタシリーズ CONNECTOR SERIES	EMBOSSD TAPE PACKAGE オーダー番号ORDER No.	コネクタシリーズ CONNECTOR SERIES	極数 (EXT. NO.)

WITH CAPTON TAPE		
HSG COLOR : ORANGE		
≡	502382-***18	15
≡		14
≡		13
≡		12
≡		11
≡		10
≡		9
≡		8
EMBOSSD TAPE PACKAGE オーダー番号ORDER No.	コネクタシリーズ CONNECTOR SERIES	極数 (EXT. NO.)

WITHOUT CAPTON TAPE		
HSG COLOR : NATURAL		
502382-1570	502382-***09	15
502382-1470		14
502382-1370		13
502382-1270		12
502382-1170		11
502382-1070		10
502382-0970		9
502382-0870		8
EMBOSSD TAPE PACKAGE オーダー番号ORDER No.	コネクタシリーズ CONNECTOR SERIES	極数 (EXT. NO.)

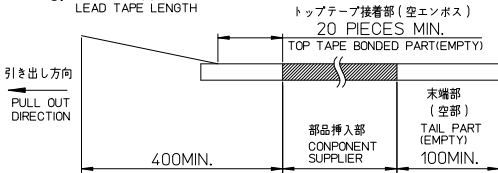
REVISED IEC NO. J2013-0870 T. DRINKWASHIO 2013/02/07 CHIKIDAKASAKAWA 2013/02/13 APPR: Y. ITO 2013/02/13 REV. DESCRIPTION	GENERAL TOLERANCES (UNLESS SPECIFIED)		DIMENSION STYLE MM ONLY		SCALE -----	DESIGN UNITS METRIC	THIRD ANGLE PROJECTION
	10 UNDER	± 0.2	DRAWN BY T. MIYAZAKI	DATE 2006/08/28	TITLE 1.25 W/B CONN. SINGLE S/T REC. ASS'Y 8-15CKT.		
	10 OVER 30 UNDER	± 0.25	CHECKED BY K. ASAKAWA	DATE 2006/08/28			
	30 OVER	± 0.3	APPROVED BY Y. ITO	DATE 2006/08/28			
	ANGULAR ±3 °		MATERIAL NO.		DOCUMENT NO.	SHEET NO.	
DRAFT WHERE APPLICABLE MUST REMAIN WITHIN DIMENSIONS		SEE TABLE		SD-502382-002		3 OF 3	
THIS DRAWING CONTAINS INFORMATION THAT IS PROPRIETARY TO MOLEX INCORPORATED AND SHOULD NOT BE USED WITHOUT WRITTEN PERMISSION							

Contact us: sales@integrated-circuit.com Website: www.integrated-circuit.com



NOTES

- 製品詳細寸法については、SD-502382-001, -002 を参照下さい。
PLEASE REFER TO SD-502382-001, -002 FOR THE DETAILED DIMENSION OF THE CONNECTOR.
- 梱包数量 : 1400個
NUMBER OF CONNECTORS : 1400 PIECES/REEL.
- リードテープ長さ
LEAD TAPE LENGTH



- 材料
MATERIAL
キャリアテープ : ポリスチレン
CARRIER TAPE : POLYSTYRENE
トップテープ : ポリエステル, ポリエチレン, ポリエチレンテレフタレート
TOP TAPE : POLYESTER, POLYETHYLENE, POLYETHYLENE TEREPHTHALATE
リール : ポリスチレン <リサイクル材を含む>
REEL : POLYSTYRENE <RECYCLOE MATERIAL CONTAINED>
- ELV 及び RoHS 適合品
ELV AND RoHS COMPLIANT

45.5	20.2	44	502382-15**	15
45.5	20.2	44	502382-14**	14
33.5	14.2	32	502382-13**	13
33.5	14.2	32	502382-12**	12
33.5	14.2	32	502382-11**	11
33.5	14.2	32	502382-10**	10
25.5	11.5	24	502382-09**	9
25.5	11.5	24	502382-08**	8
25.5	11.5	24	502382-07**	7
25.5	11.5	24	502382-06**	6
25.5	11.5	24	502382-05**	5
25.5	11.5	24	502382-04**	4
17.5	7.5	16	502382-03**	3
17.5	7.5	16	502382-02**	2

REVISED EC NO. J2013-0870 T. DRINKWASHIO 2013/02/07 CHIKIDAKAKAWA 2013/02/13 APPR. Y. ITO 2013/02/13	GENERAL TOLERANCES (UNLESS SPECIFIED)		DIMENSION STYLE MM ONLY		SCALE ---	DESIGN UNITS METRIC	THIRD ANGLE PROJECTION	TITLE 1.25 W/B CONN. SINGLE S/T REC. EMBTP PKG molex DOCUMENT NO. SD-502382-003 SHEET NO. 1 OF 2	
	10 UNDER	± 0.2	DRAWN BY T. MIYAZAKI	DATE 2006/10/16					
	10 OVER 30 UNDER	± 0.25	CHECKED BY K. ASAKAWA	DATE 2006/10/16					
	30 OVER	± 0.3	APPROVED BY Y. ITO	DATE 2006/10/16					
	ANGULAR	± 3 °	MATERIAL NO. SEE TABLE						
DRAFT WHERE APPLICABLE MUST REMAIN WITHIN DIMENSIONS		THIS DRAWING CONTAINS INFORMATION THAT IS PROPRIETARY TO MOLEX INCORPORATED AND SHOULD NOT BE USED WITHOUT WRITTEN PERMISSION							