

Excellent Integrated System Limited

Stocking Distributor

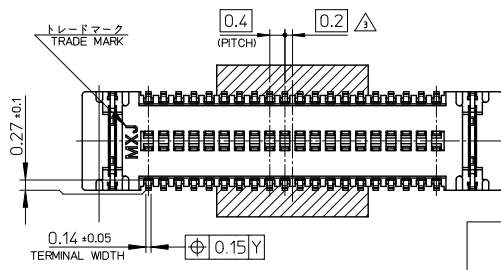
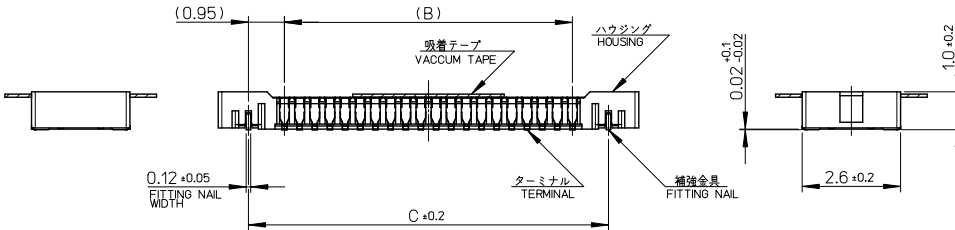
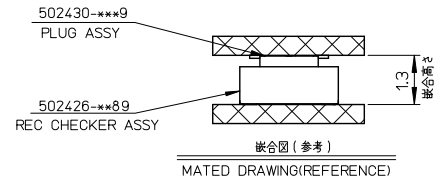
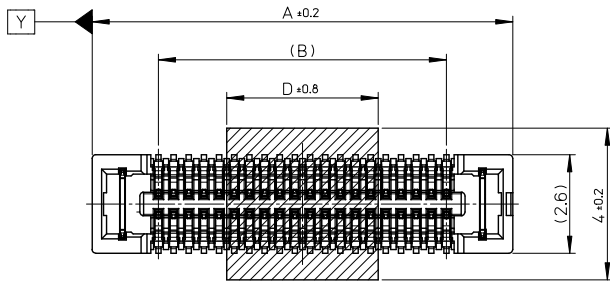
Click to view price, real time Inventory, Delivery & Lifecycle Information:

[Molex Connector Corporation](#)
[5024265080](#)

For any questions, you can email us directly:

sales@integrated-circuit.com

10 9 8 7 6 5 4 3 2 1



| | | | | | | |
|------|------|------|------|----------------|--------------|------|
| 10.0 | 17.5 | 15.6 | 19.1 | 502426-8080 | 502426-8089 | 80 |
| 7.0 | 13.5 | 11.6 | 15.1 | 502426-6080 | 502426-6089 | 60 |
| | 11.5 | 9.6 | 13.1 | 502426-5080 | 502426-5089 | 50 |
| 4.0 | 9.5 | 7.6 | 11.1 | 502426-4080 | 502426-4089 | 40 |
| | 7.9 | 6.0 | 9.5 | 502426-3280 | 502426-3289 | 32 |
| 3.4 | 6.7 | 4.8 | 8.3 | 502426-2680 | 502426-2689 | 26 |
| | 6.3 | 4.4 | 7.9 | 502426-2480 | 502426-2489 | 24 |
| | 5.9 | 4.0 | 7.5 | 502426-2280 | 502426-2289 | 22 |
| 2.4 | 5.5 | 3.6 | 7.1 | 502426-2080 | 502426-2089 | 20 |
| | 4.3 | 2.4 | 5.9 | 502426-1480 | 502426-1489 | 14 |
| D | C | B | A | EMBOSSSED TAPE | MATERIAL No. | CKT. |

| | | | | | | | | |
|---|---------------------------------------|---|----------------------------|-----------------|--|--|-----------------------------------|--|
| REVISED EC NO. J2011-1598 DRAWN BY DRANKIYODA 2011/05/23 CHKD: TASAKAWA 2011/05/25 APPR: MSASAO 2011/06/16 | GENERAL TOLERANCES (UNLESS SPECIFIED) | | DIMENSION STYLE MM ONLY | | SCALE 10:1 DESIGN UNITS METRIC | | ORDER No. MODEL No. : 502426-**** | |
| | 10 UNDER | ±--- | DRAWN BY RTAKEUCHI | DATE 2007/12/26 | TITLE 0.4 B-TO-B CONN. HGT=1.0 W=2.6 REC CHECKER ASSY WITH TAPE | | | |
| | 10 OVER | ±--- | CHECKED BY MSASAO | DATE 2007/12/26 | | | | |
| | 30 OVER | ±--- | APPROVED BY MSASAO | DATE 2007/12/26 | MOLEX INCORPORATED DOCUMENT NO. SD-502426-007 SHEET NO. 1 OF 2 | | | |
| ANGULAR | ±--- | MATERIAL NO. SEE CHART | | | | | | |
| DRAFT WHERE APPLICABLE MUST REMAIN WITHIN DIMENSIONS | | THIS DRAWING CONTAINS INFORMATION THAT IS PROPRIETARY TO MOLEX INCORPORATED AND SHOULD NOT BE USED WITHOUT WRITTEN PERMISSION | | | | | | |

注記 NOTES

1. 使用材料 MATERIAL

ハウジング: 液晶ポリマー (LCP) ガラス充填 UL94V-0 (黒)
HOUSING: LIQUID CRYSTAL POLYMER (GLASS FILLED) UL94V-0 (COLOR: BLACK)
ターミナル: リン青銅 (I=0.1)
TERMINAL: PHOSPHOR BRONZE (I=0.1)
金具: リン青銅 (I=0.12)
FITTING NAIL: PHOSPHOR BRONZE (I=0.12)
吸着テープ: ポリイミド
VACUUM TAPE: POLYIMIDE

2. メッキ仕様 PLATING

ターミナル TERMINAL

コンタクト部: 金メッキ 0.1 マイクロメートル以上
CONTACT AREA: GOLD 0.1 MICROMETER MINIMUM.
テール部: 金メッキ 0.05 マイクロメートル以上
TAIL AREA: GOLD 0.05 MICROMETER MINIMUM.
下地メッキ: ニッケルメッキ 1.0 マイクロメートル以上
UNDER PLATING: NICKEL 1.0 MICROMETER MINIMUM
※コンタクト部とテール部はニッケルメッキによって分断されている金メッキです。
AND THE TAIL PART BY THE NICKEL PLATING.
※封孔処理品

金具 FITTING NAIL

フラッシュ金メッキ
FLASH Au PLATING
下地メッキ: ニッケルメッキ 1.0 マイクロメートル以上
UNDER PLATING: NICKEL 1.0 MICROMETER MINIMUM

△ (全極数/2) = 偶数の場合に適用。
APPLY FOR (CIRCUIT/2)=EVEN.

4. 嵌合相手: 502430 シリーズ
MATE WITH: 502430 SERIES.

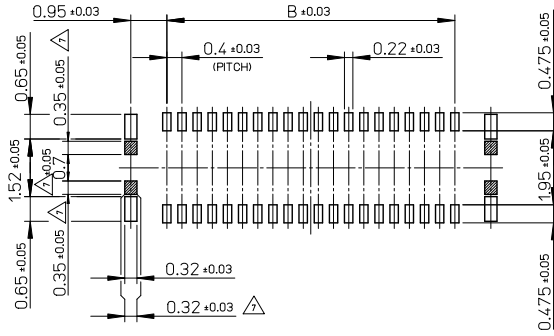
5. テール平坦度は、0.08 以下

テール及び金具の平坦度は、0.1 以下
TAIL COPLANARITY TO BE 0.08 MAXIMUM.
TAIL AND FITTING NAIL COPLANARITY TO BE 0.1 MAXIMUM.

6. ELV 及び RoHS 適合品
ELV AND RoHS COMPLIANT.

△ 斜線部はパターン書込み禁止範囲と半田禁止範囲を示す。

ただし、斜線部に補強金具と同一配線を配置する場合はレジストを施し、この部分に半田は無きこと。
NO PATTERN CIRCUIT AND NO SOLDER ALLOWED IN THE SHADED AREA.
HOWEVER, IF NEEDED TO ADD A TRACE OF THE SAME CIRCUIT, PUT THE SOLDER-RESIST.
YET NO SOLDER ALLOWED IN THE AREA.

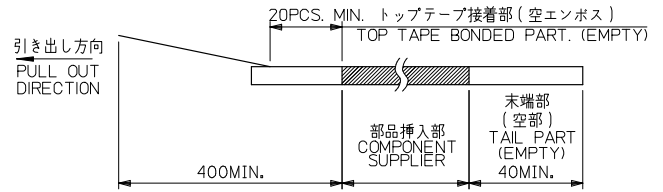


P.C. BOARD PATTERN LAYOUT
(REFERENCE)

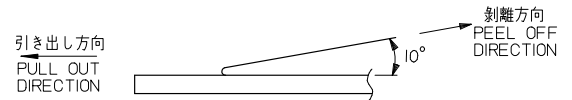
| | | | | | | |
|--|--|------|--|--|-------------------------------|---------------------------|
| REVISED EC NO. J2011-1598 DRAWN BY: DRANKIYODA CHKD: TASAKAWA APPR: MSASAO 2011/05/23 2011/05/25 2011/06/16 | GENERAL TOLERANCES (UNLESS SPECIFIED) | | DIMENSION STYLE MM ONLY | SCALE 10:1 | DESIGN UNITS METRIC | THIRD ANGLE PROJECTION |
| | 10 UNDER | ±--- | DRAWN BY: RTAKEUCHI DATE: 2007/12/26 | TITLE 0.4 B-TO-B CONN. HGT=1.0 W=2.6 REC CHECKER ASSY WITH TAPE | | |
| | 10 OVER | ±--- | CHECKED BY: MSASAO DATE: 2007/12/26 | MOLEX INCORPORATED | | |
| | 30 OVER | ±--- | APPROVED BY: MSASAO DATE: 2007/12/26 | MATERIAL NO. SEE SHEET 1 | DOCUMENT NO. SD-502426-007 | SHEET NO. 2 OF 2 |
| ANGULAR DRAFT WHERE APPLICABLE MUST REMAIN WITHIN DIMENSIONS | | ±--- | THIS DRAWING CONTAINS INFORMATION THAT IS PROPRIETARY TO MOLEX INCORPORATED AND SHOULD NOT BE USED WITHOUT WRITTEN PERMISSION | | | |

注記 NOTES

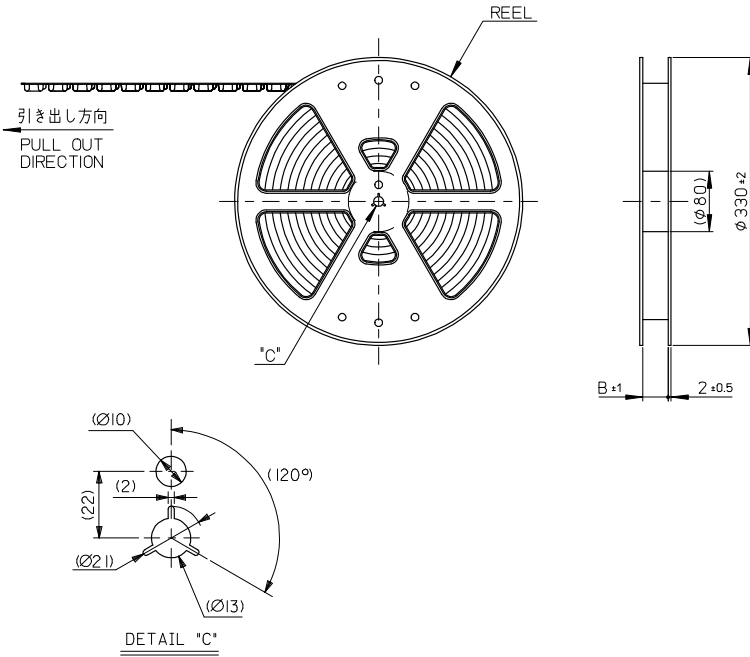
- 製品詳細寸法については製品単体図面を参照下さい。
RE DETAILED DIMENSION, SEE PRODUCT DRAWING.
- 梱包数量: 3000 個/リール
NUMBER OF CONNECTORS: 3000PCS/REEL
- リードテープ長さ LEAD TAPE LENGTH



- トップテープの剥離強度: 0.1N~1.3N(10gf~130gf)
(剥離方向は下図参照)
尚、本規格値は出荷時に適用。(但し、輸送時に剥離が発生しないこと。)
PEELING OFF FORCE OF TOP TAPE: 0.1N~1.3N(10gf~130gf)
(PEELING DIRECTION AS SHOWN IN FOLLOWING FIG.)
THIS REQUIREMENT SHOULD BE APPLIED AT SHIPMENT.
PEEL OFF SHOULD NOT BE ALLOWED, DURING TRANSPORTION.

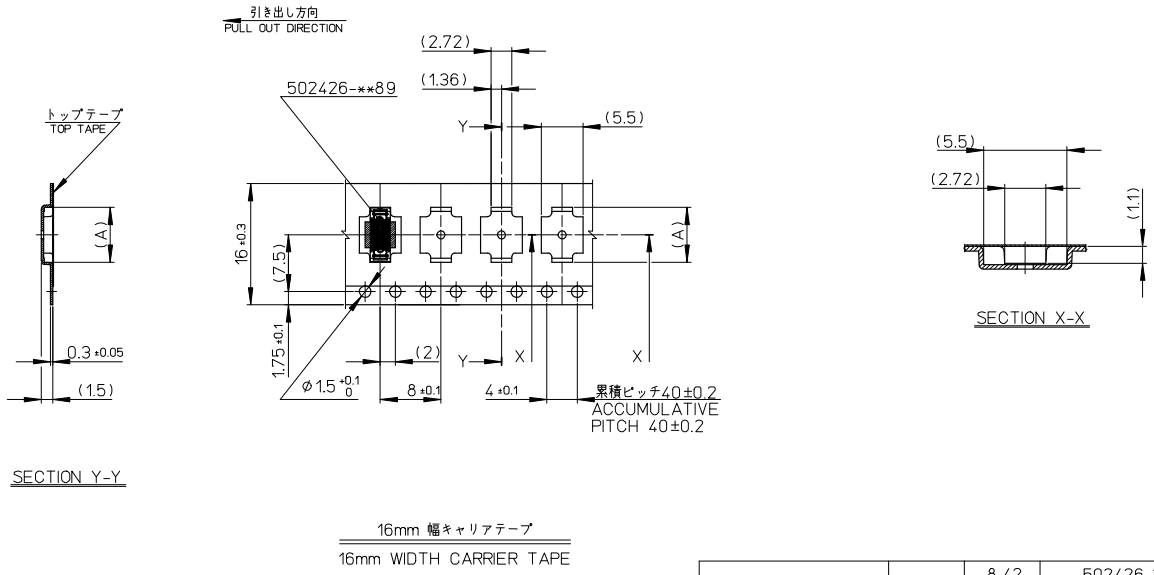


- 材料 MATERIAL
キャリアテープ (CARRIER TAPE): ポリスチレン (POLYSTYRENE)
トップテープ (TOP TAPE): PET, PE, PEF
リール (REEL): ポリスチレン (PS) <リサイクル材を含む>
POLYSTYRENE (PS) <RECYCLE MATERIAL CONTAINED>
- ELV 及び RoHS適合品
ELV AND RoHS COMPLIANT



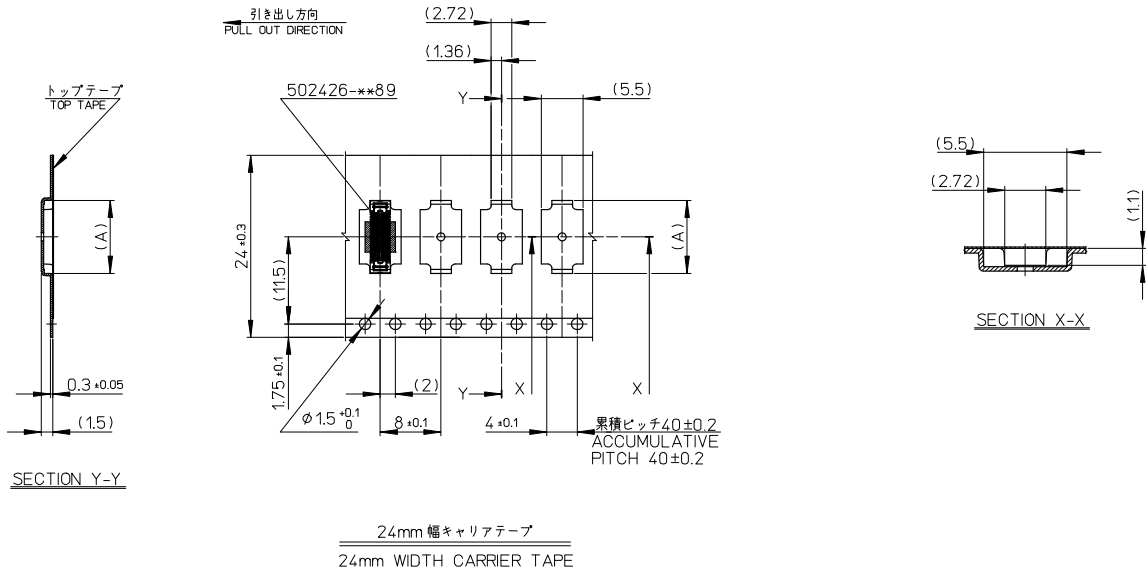
MODEL NO. 502426-**80

| | | | | | | |
|--|--|---------------------------|--|---------------------|---|---------------------------|
| REVISED EC NO.: J2009-0107 DRAWN/TANIGUCHI 12/08/08/05 CHK/MSASAO 2008/08/06 APP/MSASAO 2008/08/08 | GENERAL TOLERANCES (UNLESS SPECIFIED) | | DIMENSION STYLE MM ONLY | SCALE --- | DESIGN UNITS METRIC | THIRD ANGLE PROJECTION |
| | 10 UNDER | ±--- | DRAWN BY RTAKEUCHI | DATE 2007/12/26 | TITLE 0.4 B-TO-B CONN. HGT=1.0 REC CHECKER ASSY WITH TAPE EMBSTP PKG | |
| | 10 OVER 30 UNDER | ±--- | CHECKED BY MSASAO | DATE 2007/12/26 | | |
| | 30 OVER | ±--- | APPROVED BY MSASAO | DATE 2007/12/26 | MOLEX INCORPORATED | |
| ANGULAR | ±--- | MATERIAL NO. SEE CHART | DOCUMENT NO. SD-502426-008 | SHEET NO. 1 OF 4 | | |
| DRAFT WHERE APPLICABLE MUST REMAIN WITHIN DIMENSIONS | | SIZE A3 | THIS DRAWING CONTAINS INFORMATION THAT IS PROPRIETARY TO MOLEX INCORPORATED AND SHOULD NOT BE USED WITHOUT WRITTEN PERMISSION | | | |



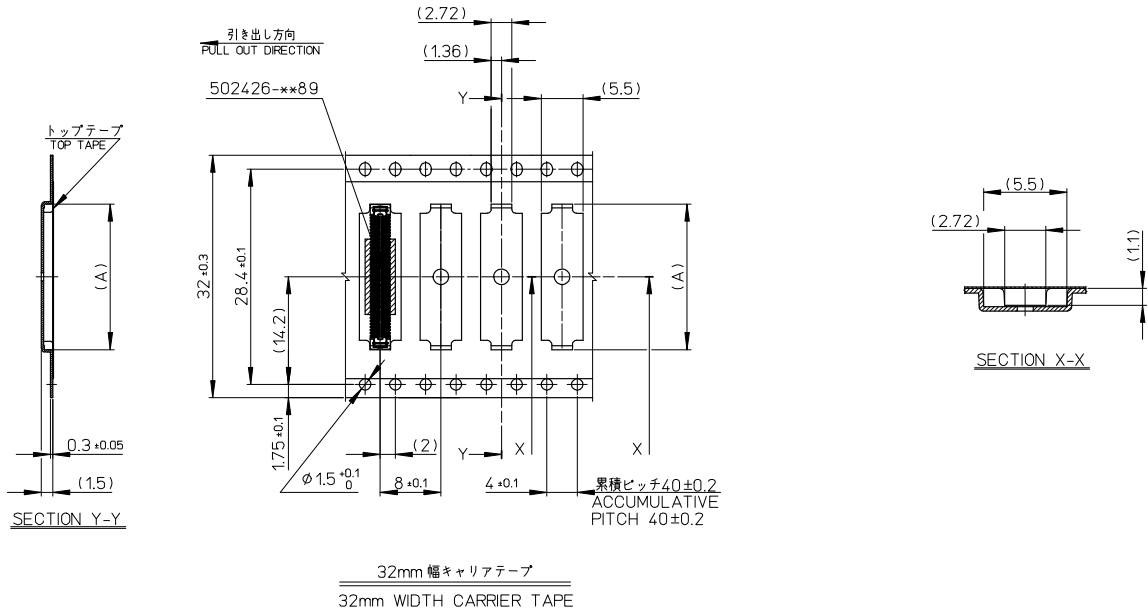
| | | | | |
|--------------------------------|------|------|-------------|-------------------|
| 16 | 17.5 | 8.42 | 502426-2680 | 26 |
| | | 8.02 | 502426-2480 | 24 |
| | | 7.62 | 502426-2280 | 22 |
| | | 7.22 | 502426-2080 | 20 |
| | | 6.02 | 502426-1480 | 14 |
| キャリアテープ幅 CARRIER TAPE WIDTH | | B | (A) | MATERIAL No. CKT. |
| | | | MODEL No. | 502426-**80 |

| | | | | | | | | | | | |
|---|------------------|--|-------|----------------------------|--------------------|---|--|------------------------|--|---------------------------|--|
| REVISED EC NO: J2009-0107 DRAWN: TANI GUCHI 12/08/08/05 CHKD: MSASAO 2008/08/06 APPROVED: MSASAO 2008/08/08 | DESCRIPTION A | GENERAL TOLERANCES (UNLESS SPECIFIED) | | DIMENSION STYLE MM ONLY | | SCALE --- | | DESIGN UNITS METRIC | | THIRD ANGLE PROJECTION | |
| | | 10 UNDER | ±--- | DRAWN BY RTAKEUCHI | DATE 2007/12/26 | TITLE 0.4 B-TO-B CONN. HGT=1.0 REC CHECKER ASSY WITH TAPE EMBSTP PKG MOLEX INCORPORATED | | | | | |
| | | 10 OVER 30 UNDER | ±--- | CHECKED BY MSASAO | DATE 2007/12/26 | | | | | | |
| | | 30 OVER | ±--- | APPROVED BY MSASAO | DATE 2007/12/26 | | | | | | |
| | | ANGULAR | ±---° | MATERIAL NO. SEE CHART | | DOCUMENT NO. SD-502426-008 | | SHEET NO. 2 OF 4 | | | |
| DRAFT WHERE APPLICABLE MUST REMAIN WITHIN DIMENSIONS | | THIS DRAWING CONTAINS INFORMATION THAT IS PROPRIETARY TO MOLEX INCORPORATED AND SHOULD NOT BE USED WITHOUT WRITTEN PERMISSION | | | | | | | | | |



| | | | | |
|--------------------------------|------|-------|-------------|-------------------|
| 24 | 25.5 | 15.22 | 502426-6080 | 60 |
| | | 13.22 | 502426-5030 | 50 |
| | | 11.22 | 502426-4080 | 40 |
| | | 9.62 | 502426-3280 | 32 |
| キャリアテープ幅 CARRIER TAPE WIDTH | | B | (A) | MATERIAL No. CKT. |
| | | | MODEL No. | 502426-**-80 |

| | | | | | | | | | | |
|--|--|--|------|--|------|---------------------------|--------------|-----------|---|--|
| REVISED EC NO.: J2009-0107 DRAWN/TANIGUCHI 12/08/09/05 CHKD/MSASAO 2008/08/06 APPR/MSASAO 2008/08/08 | DESCRIPTION | GENERAL TOLERANCES (UNLESS SPECIFIED) | | DIMENSION STYLE MM ONLY | | SCALE | DESIGN UNITS | | TITLE 0.4 B-TO-B CONN. HGT=1.0 REC CHECKER ASSY WITH TAPE EMBSTP PKG MOLEX INCORPORATED | |
| | | 10 UNDER | ±--- | DRAWN BY | DATE | --- | METRIC | | | |
| | | 10 OVER 30 UNDER | ±--- | CHECKED BY | DATE | THIRD ANGLE PROJECTION | | | | |
| | | 30 OVER | ±--- | APPROVED BY | DATE | | | | | |
| | ANGULAR | ±--- | ° | MATERIAL NO. | | DOCUMENT NO. | | SHEET NO. | | |
| | DRAFT WHERE APPLICABLE MUST REMAIN WITHIN DIMENSIONS | | | SEE CHART | | SD-502426-008 | | 3 OF 4 | | |
| | | | | THIS DRAWING CONTAINS INFORMATION THAT IS PROPRIETARY TO MOLEX INCORPORATED AND SHOULD NOT BE USED WITHOUT WRITTEN PERMISSION | | | | | | |



| | | | | |
|--------------------------------|------|-------|--------------|-------------|
| 32 | 33.5 | 21.22 | 502426-9080 | 90 |
| キャリアテープ幅 CARRIER TAPE WIDTH | | 19.22 | 502426-8080 | 80 |
| | | (A) | MATERIAL No. | CKT. |
| | | | MODEL No. | 502426-**80 |

| | | | | | |
|--|--|---|--------------------|---|-------------------------------|
| REVISED EC NO.: J2009-0107 DRAWN BY: ANIGUCHI 12/08/08/05 CHKD: MSASAO 2/08/08/06 APPR: MSASAO 2/08/08/08 REVISION DESCRIPTION A | GENERAL TOLERANCES (UNLESS SPECIFIED) | DIMENSION STYLE MM ONLY | SCALE --- | DESIGN UNITS METRIC | THIRD ANGLE PROJECTION |
| | 10 UNDER ±--- | DRAWN BY RTAKEUCHI | DATE 2007/12/26 | TITLE 0.4 B-TO-B CONN. HGT=1.0 REC CHECKER ASSY WITH TAPE EMBSTP PKG | |
| | 10 OVER 30 UNDER ±--- | CHECKED BY MSASAO | DATE 2007/12/26 | MOLEX INCORPORATED | |
| | 30 OVER ±--- | APPROVED BY MSASAO | DATE 2007/12/26 | MATERIAL NO. SEE CHART | DOCUMENT NO. SD-502426-008 |
| | ANGULAR ±--- ° | THIS DRAWING CONTAINS INFORMATION THAT IS PROPRIETARY TO MOLEX INCORPORATED AND SHOULD NOT BE USED WITHOUT WRITTEN PERMISSION | | | |
| | DRAFT WHERE APPLICABLE MUST REMAIN WITHIN DIMENSIONS | | | | |