



Distributor of Molex Connector Corporation: Excellent Integrated System Limited
Datasheet of 5024431270 - Connector Receptacle 12 Position 0.079" (2.00mm) Tin Surface Mount

Contact us: sales@integrated-circuit.com Website: www.integrated-circuit.com

Excellent Integrated System Limited

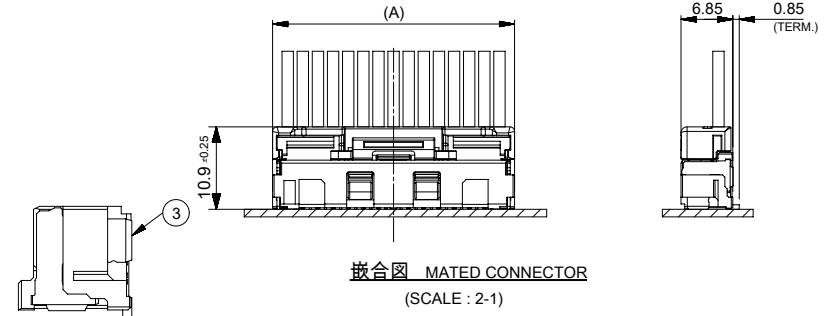
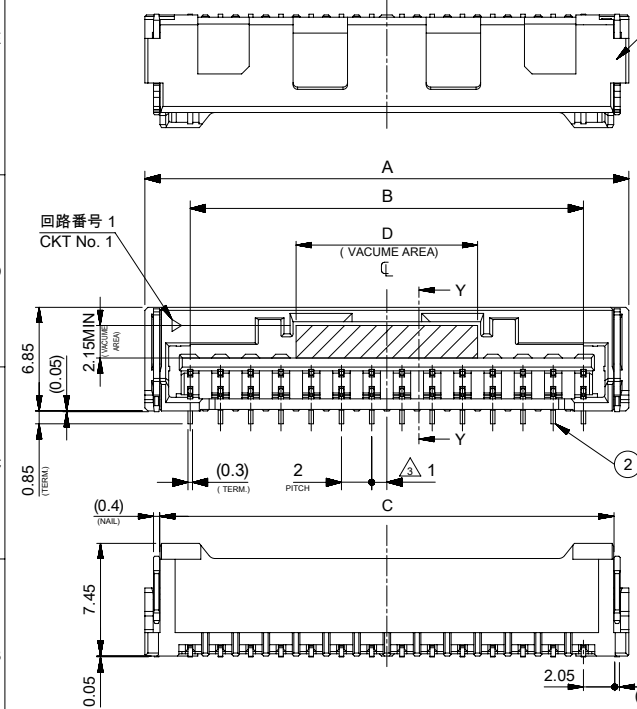
Stocking Distributor

Click to view price, real time Inventory, Delivery & Lifecycle Information:

[Molex Connector Corporation](#)
[5024431270](#)

For any questions, you can email us directly:
sales@integrated-circuit.com

Contact us: sales@integrated-circuit.com Website: www.integrated-circuit.com



NOTES

1. 嵌合相手 : 502439-**00
MATE WITH : 502439-**00
2. 端子テール部 及び ネイルの平坦度: 0.1MAX
TAIL AND NAIL COPLANARITY TO BE 0.1 MAX.
極数/2 = 偶数に適用
- △ APPLY FOR CKT. SIZE /2 = EVEN.
4. 端子テール部 及び ネイルに錫めっきを使用しているため、
外觀に摺動痕が付く場合が御座います。
THE WOUND OF FRICTION MIGHT ADHERE TO EXTERNALS
BECAUSE THE TIN PLATING IS USED FOR THE NAIL AND NAIL.
5. 本製品のプラスチック部に黒点等が確認される場合や
色合いが異なる場合がありますが、製品性能に影響はありません。
THERE IS NO INFLUENCE IN THE PRODUCT PERFORMANCE THOUGH
THE BLACK SPOT ETC. MIGHT BE CONFIRMED TO THE PLASTIC PART
OF THIS PRODUCT AND THE SHADE MIGHT BE DIFFERENT.
6. ELV 及び RoHS 適合品
ELV AND RoHS COMPLIANT

| | | | | | |
|-----|----|----|----|---|---------------|
| 16 | 32 | 28 | 34 | 502443-1570 | 15 |
| 12 | 30 | 26 | 32 | 502443-1470 | 14 |
| 12 | 28 | 24 | 30 | 502443-1370 | 13 |
| 12 | 26 | 22 | 28 | 502443-1270 | 12 |
| 12 | 20 | 16 | 22 | 502443-0970 | 9 |
| 12 | 18 | 14 | 20 | 502443-0870 | 8 |
| 10 | 16 | 12 | 18 | 502443-0770 | 7 |
| 8 | 14 | 10 | 16 | 502443-0670 | 6 |
| 6 | 12 | 8 | 14 | 502443-0570 | 5 |
| 4 | 10 | 6 | 12 | 502443-0470 | 4 |
| 2.9 | 8 | 4 | 10 | 502443-0370 | 3 |
| 3.7 | 6 | 2 | 8 | 502443-0270 | 2 |
| D | C | B | A | EMBOSSED TAPE PACKAGE 注文番号 ORDER NO. | 極数 CKT.NO. |

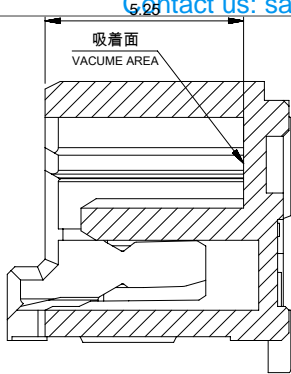
| 番号 NO. | 部品 PART | 材質 MATERIAL |
|--|-------------------|--|
| ① | ハウジング HOUSING | 耐熱性樹脂 UL94V-0 色: ナチュラル HEATPROOF RESIN UL94V-0 COLOR:NATURAL |
| ② | ターミナル TERMINAL | 銅合金 COPPER ALLOY 錫めっき : 1.0 micro-meter MIN. TIN (TAIL AREA) ニッケルめっき(下地): 1.0 micro-meter MIN. NICKEL (UNDER PLATING) |
| ③ | ネイル NAIL | 銅合金 COPPER ALLOY 錫めっき : 1.0 micro-meter MIN. TIN ニッケルめっき(下地): 1.0 micro-meter MIN. NICKEL (UNDER PLATING) |
| RELEASE STATUS P1 RELEASE DATE 18.05.2016 09:36:32 | | |

THIS DRAWING CONTAINS INFORMATION THAT IS PROPRIETARY TO MOLEX ELECTRONIC TECHNOLOGIES, LLC AND SHOULD NOT BE USED WITHOUT WRITTEN PERMISSION

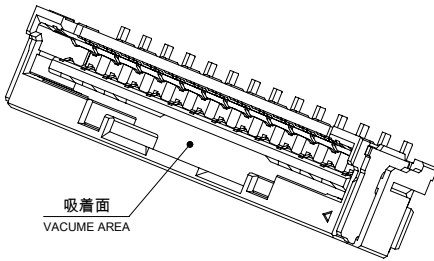
| | | | |
|--|---------------------------------------|-----------------|------------------------|
| REVISED EC NO. 105083 DRWN. AISHIKAWA CHKD. KOMURAKAMI APPR. TKANEKO | GENERAL TOLERANCES (UNLESS SPECIFIED) | DIMENSION UNITS | SCALE |
| | ANGULAR TOL ± 3.0 ° | MM | 4:1 |
| | 4 PLACES ± 0.2 | DRWN BY | DATE |
| | 3 PLACES ± 0.2 | AISHIKAWA | 2016/04/19 |
| 2 PLACES ± 0.2 | CHKD BY | DATE | |
| 1 PLACE ± 0.2 | KOMURAKAMI | 2016/04/28 | |
| 0 PLACES ± 0.2 | APPR BY | DATE | |
| | TKANEKO | 2016/04/28 | |
| DRAWING WHERE APPLICABLE MUST REMAIN WITHIN DIMENSIONS | | DRAWING SIZE | THIRD ANGLE PROJECTION |
| B | | A3 | |

| | | |
|--------------------------|-----------------|----------|
| PRODUCT CUSTOMER DRAWING | | |
| SERIES | MATERIAL NUMBER | CUSTOMER |
| 502443 | SEE TABLE | GENERAL |
| DOCUMENT NUMBER | DOC TYPE | DOC PART |
| 5024431509 | PSD | 000 |
| SHEET NUMBER | | 1 OF 2 |

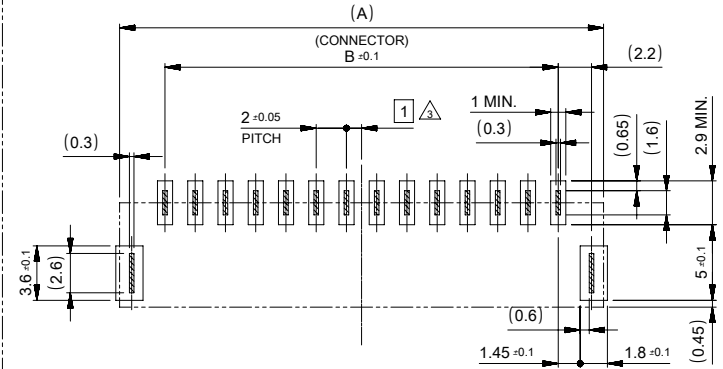
Contact us: sales@integrated-circuit.com Website: www.integrated-circuit.com



SECTION Y-Y
(SCALE :10-1)



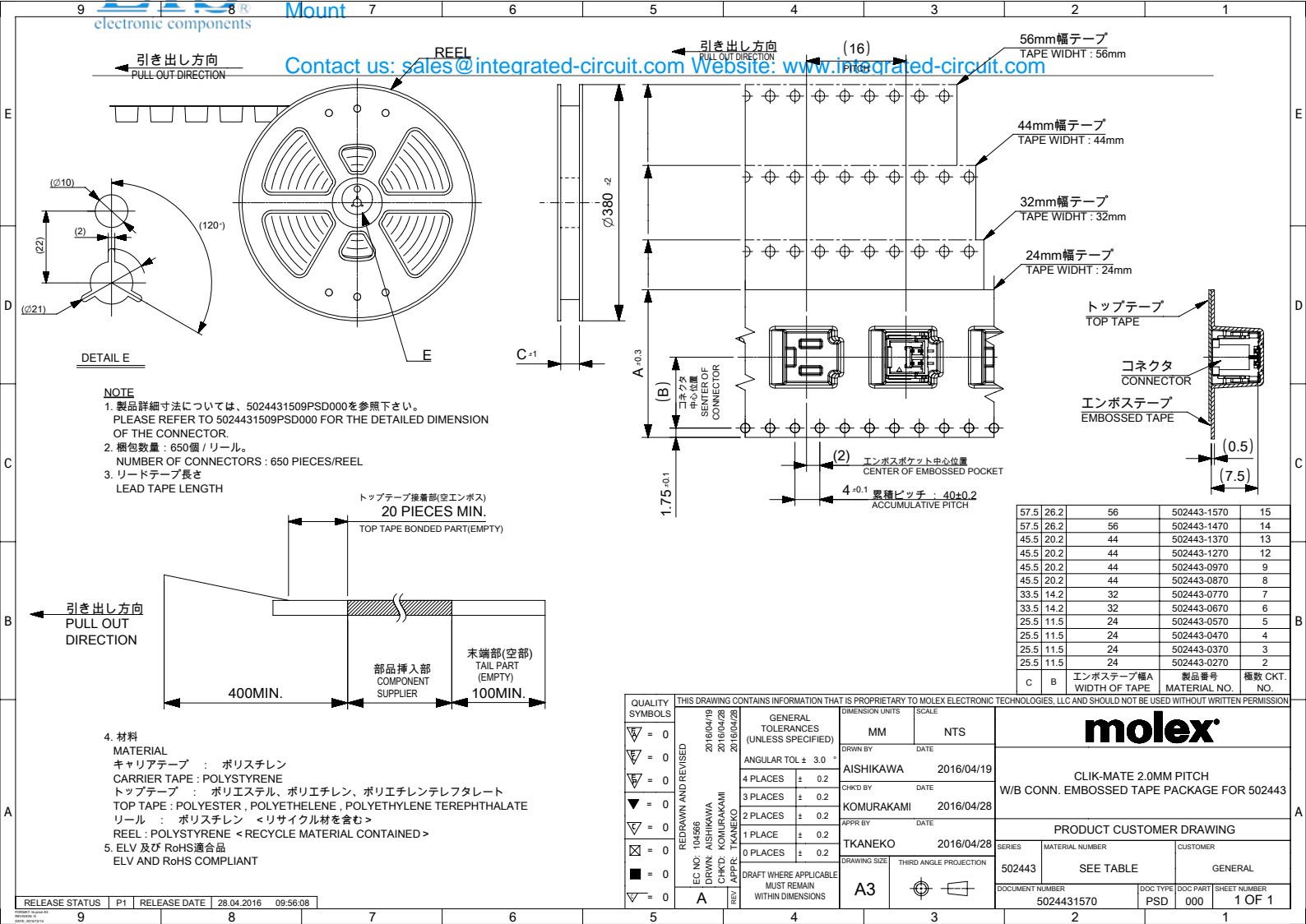
吸着面
VACUME AREA



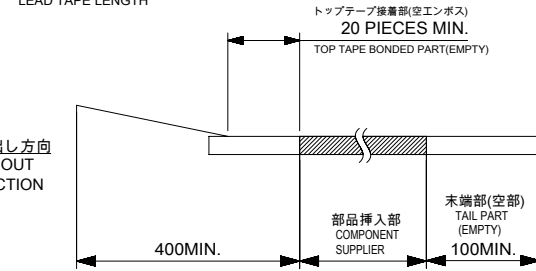
基板パターンレイアウト(参考)
RECOMMENDED P.C.B PATTERN LAYOUT (REF.)

| | | | | | |
|---|--|--|--|---|--|
| THIS DRAWING CONTAINS INFORMATION THAT IS PROPRIETARY TO MOLEX ELECTRONIC TECHNOLOGIES, LLC AND SHOULD NOT BE USED WITHOUT WRITTEN PERMISSION | | DIMENSION UNITS: MM SCALE: 4:1 | | | |
| GENERAL TOLERANCES (UNLESS SPECIFIED) ANGULAR TOL ± 3.0 ° | | DRWN BY: AISHIKAWA DATE: 2016/04/19 | | | |
| 4 PLACES ± 0.2 3 PLACES ± 0.2 2 PLACES ± 0.2 1 PLACE ± 0.2 0 PLACES ± 0.2 | | CHKD BY: KOMURAKAMI DATE: 2016/04/28 | | PRODUCT CUSTOMER DRAWING | |
| DRAFT WHERE APPLICABLE MUST REMAIN WITHIN DIMENSIONS | | APPR BY: TKANEKO DATE: 2016/04/28 | | | |
| EC NO.: 105083 DRWN: AISHIKAWA CHKD: KOMURAKAMI APP: TKANEKO | | DRAWING SIZE: A3 THIRD ANGLE PROJECTION | | DOCUMENT NUMBER: 5024431509 DOC TYPE: PSD DOC PART: 000 SHEET NUMBER: 2 OF 2 | |

Contact us: sales@integrated-circuit.com Website: www.integrated-circuit.com



NOTE
1. 製品詳細寸法については、5024431509PSD000を参照下さい。
PLEASE REFER TO 5024431509PSD000 FOR THE DETAILED DIMENSION OF THE CONNECTOR.
2. 梱包数量：650個/リール。
NUMBER OF CONNECTORS：650 PIECES/REEL
3. リードテープ長さ
LEAD TAPE LENGTH



4. 材料
MATERIAL
キャリアテープ：ポリスチレン
CARRIER TAPE：POLYSTYRENE
トップテープ：ポリエステル、ポリエチレン、ポリエチレンテレフタレート
TOP TAPE：POLYESTER, POLYETHYLENE, POLYETHYLENE TEREPHTHALATE
リール：ポリスチレン <リサイクル材を含む>
REEL：POLYSTYRENE <RECYCLE MATERIAL CONTAINED>
5. ELV 及び RoHS適合品
ELV AND RoHS COMPLIANT

| | | | | |
|------|------|----|-------------|----|
| 57.5 | 26.2 | 56 | 502443-1570 | 15 |
| 57.5 | 26.2 | 56 | 502443-1470 | 14 |
| 45.5 | 20.2 | 44 | 502443-1370 | 13 |
| 45.5 | 20.2 | 44 | 502443-1270 | 12 |
| 45.5 | 20.2 | 44 | 502443-0970 | 9 |
| 45.5 | 20.2 | 44 | 502443-0870 | 8 |
| 33.5 | 14.2 | 32 | 502443-0770 | 7 |
| 33.5 | 14.2 | 32 | 502443-0670 | 6 |
| 25.5 | 11.5 | 24 | 502443-0570 | 5 |
| 25.5 | 11.5 | 24 | 502443-0470 | 4 |
| 25.5 | 11.5 | 24 | 502443-0370 | 3 |
| 25.5 | 11.5 | 24 | 502443-0270 | 2 |

THIS DRAWING CONTAINS INFORMATION THAT IS PROPRIETARY TO MOLEX ELECTRONIC TECHNOLOGIES, LLC AND SHOULD NOT BE USED WITHOUT WRITTEN PERMISSION

| | | | | | |
|--|---|--|---|--|---|
| QUALITY SYMBOLS | REDRAWN AND REVISED EC NO. 104586 DRWN: AISHIKAWA 2016/04/28 CHKD: KOMURAKAMI 2016/04/28 APPR: TKANEKO 2016/04/28 | GENERAL TOLERANCES (UNLESS SPECIFIED) | MM | SCALE | molex CLIK-MATE 2.0MM PITCH W/B CONN. EMBOSSED TAPE PACKAGE FOR 502443 |
| | | ANGULAR TOL ± 3.0 ° 4 PLACES ± 0.2 3 PLACES ± 0.2 2 PLACES ± 0.2 1 PLACE ± 0.2 0 PLACES ± 0.2 | DRWN BY AISHIKAWA CHKD BY KOMURAKAMI APPR BY TKANEKO | DATE 2016/04/19 DATE 2016/04/28 DATE 2016/04/28 | |
| DRAFT WHERE APPLICABLE MUST REMAIN WITHIN DIMENSIONS | | DIMENSION UNITS A3 | | THIRD ANGLE PROJECTION | |
| RELEASE STATUS P1 RELEASE DATE 28.04.2016 09:56:08 | | SERIES 502443 MATERIAL NUMBER SEE TABLE CUSTOMER GENERAL | | DOCUMENT NUMBER 5024431570 DOC TYPE PSD DOC PART 000 SHEET NUMBER 1 OF 1 | |