

Excellent Integrated System Limited

Stocking Distributor

Click to view price, real time Inventory, Delivery & Lifecycle Information:

[Molex Connector Corporation](#)
[5026030870](#)

For any questions, you can email us directly:
sales@integrated-circuit.com

10 9 8 7 6 5 4 3 2 1

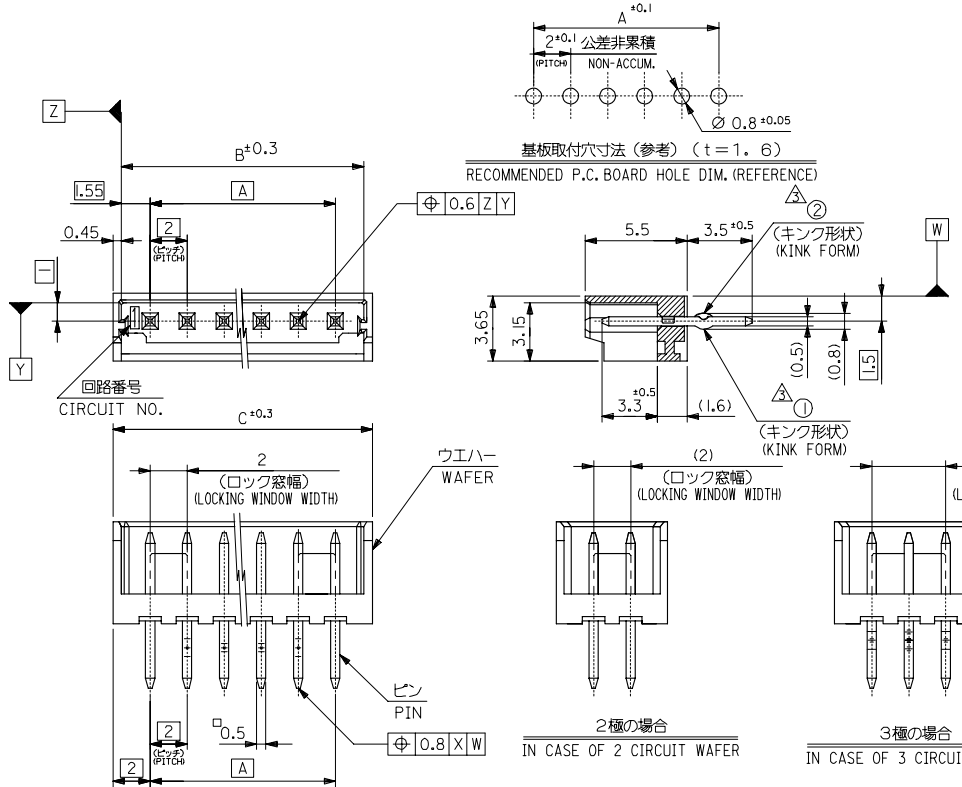
注記 NOTES

1. 嵌合相手: 51065 シリズ
MATE WITH : 51065 SERIES
2. 材質 MATERIAL
ウエハー: 66ナイロン, UL94V-0
WAFER : 66NYLON , UL94V-0
ピン : 黄銅, 金メッキ
PIN : BRASS, GOLD (Au) PLATING
- △ キングは下記表の位置及び形状に付加のこと。2極はキング無し。
KINK TO BE APPLIED AS FOLLOWS,
2 CIRCUIT HAS NO KINK.

極数 CKT	回路番号 CKT NO.	1	2	3	4	5	N-2	N-1	N
6極以上	MORE THAN 6 CKT	—	①	②	—	—	②	①	—
5極	5 CKT	①	②	—	②	①			
4極	4 CKT	①	②	①					
3極	3 CKT	①	②	①					

4. 本製品は、53253-**70の金メッキ品です。
THIS PRODUCT IS AU PLATING OF 53253-**70.
5. 梱包仕様 PACKAGING
502603-**70 トレー TRAY
502603-**50 ポリ袋 POLYBAG

32	31.1	28	502603-1550	502603-1570	15
30	29.1	26	4	-1450	14
28	27.1	24		-1350	13
26	25.1	22		-1250	12
24	23.1	20		-1150	11
22	21.1	18		-1050	10
20	19.1	16		-0950	9
18	17.1	14		-0850	8
16	15.1	12		-0750	7
14	13.1	10		-0650	6
12	11.1	8		-0550	5
10	9.1	6		-0450	4
8	7.1	4		-0350	3
6	5.1	2	502603-0250	502603-0270	2
C	B	A	MATERIAL NO.	MATERIAL NO.	極数



RELEASED	EC NO.	DRW	CHK	APP	DATE	DESCRIPTION
0	J2007-2775	YMAEDA	CHIKDAIKITA	APPEN, NUKITA	2007/04/04 2007/04/06 2007/04/06	GENERAL TOLERANCES (UNLESS SPECIFIED)
						10 UNDER ±0.2
						10 OVER 30 UNDER ±0.25
						30 OVER ±0.3
						ANGULAR ±3 °
						DRAFT WHERE APPLICABLE MUST REMAIN WITHIN DIMENSIONS

GENERAL TOLERANCES (UNLESS SPECIFIED)		DIMENSION STYLE	SCALE	DESIGN UNITS	THIRD ANGLE PROJECTION
		MM ONLY	5:1	METRIC	◎
DRAWN BY	DATE	TITLE			
YMAEDA	2007/03/30	NEW 2.0 WIRE TO BOARD CONN. WAFER ASSY (ST.) -LEAD FREE-			
CHECKED BY	DATE				
KTOYOTA	2007/03/30				
APPROVED BY	DATE				
NUKITA	2007/03/30				
MATERIAL NO.	DOCUMENT NO.				
SEE CHART	SD-502603-001				
THIS DRAWING CONTAINS INFORMATION THAT IS PROPRIETARY TO MOLEX INCORPORATED AND SHOULD NOT BE USED WITHOUT WRITTEN PERMISSION					SHEET NO. 1 OF 1