

## Excellent Integrated System Limited

Stocking Distributor

Click to view price, real time Inventory, Delivery & Lifecycle Information:

[Molex Connector Corporation](#)  
[5031055010](#)

For any questions, you can email us directly:

[sales@integrated-circuit.com](mailto:sales@integrated-circuit.com)

10 9 8 7 6 5 4 3 2 1

注記 NOTES

1. 使用材料 MATERIAL

ハウジング: 液晶ポリマー (LCP) / ガラス充填 UL94V-0 (黒)  
HOUSING: LIQUID CRYSTAL POLYMER (GLASS FILLED) UL94V-0 (COLOR: BLACK)  
ターミナル: リン青銅 (I=0.1)  
TERMINAL: PHOSPHOR BRONZE (I=0.1)

2. メッキ仕様 PLATING

ターミナル TERMINAL

金メッキ 0.1 マイクロメートル以上 (コンタクト部)  
GOLD 0.1 MICROMETER MINIMUM (CONTACT AREA)  
金メッキ 0.05 マイクロメートル以上 (テール部)  
GOLD 0.05 MICROMETER MINIMUM (TAIL AREA)

下地メッキ: ニッケルメッキ 1.0 マイクロメートル以上  
UNDER PLATING: NICKEL 1.0 MICROMETER MINIMUM

※コンタクト部とテール部はニッケルメッキによって分断されている金メッキです。  
DIVIDE INTO PARTS THE GOLD PLATING OF THE CONTACT AND THE TAIL PART BY THE NICKEL PLATING.

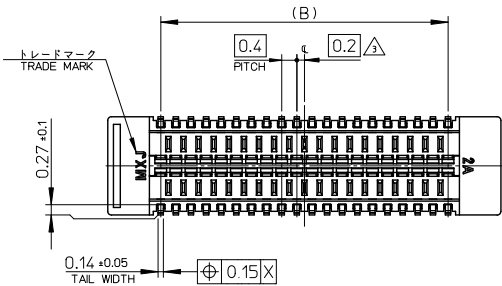
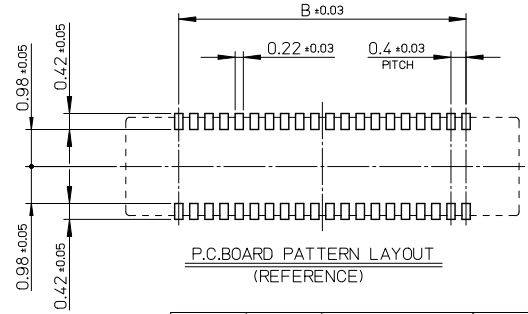
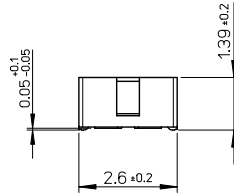
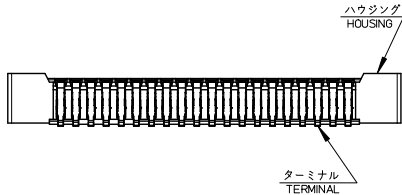
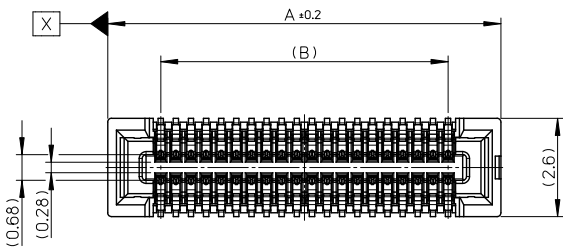
※封孔処理品  
SEALING TREATMENT

△ (全極数/2) = 偶数の場合に適用。  
APPLY FOR (CIRCUIT/2) = EVEN.

4. 嵌合相手: 503108 シリーズ  
MATE WITH: 503108 SERIES.

5. テール平坦度は、0.1 以下  
TAIL COPLANARITY TO BE 0.1 MAXIMUM.

6. ELV 及び RoHS 適合品  
ELV AND RoHS COMPLIANT.

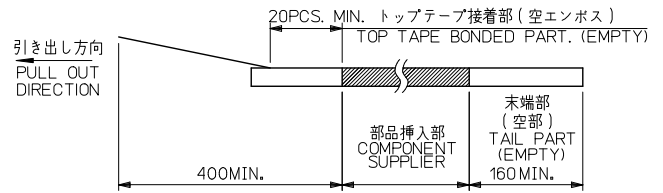


9.6	12.4	503105-5010	50
8.4	11.2	503105-4410	44
7.6	10.4	503105-4010	40
5.6	8.4	503105-3010	30
B	A	EMBOSSED TAPE ORDER No. オーダー番号	CKT.
CONNECTOR SERIES No.: 503105-***19			

REVISED EC NO: J2011-0740 DRAWN: KTOYODA 2010/11/29 CHKD: MSASAO 2010/11/29 APPR: MSASAO 2011/02/21	GENERAL TOLERANCES (UNLESS SPECIFIED)		DIMENSION STYLE MM ONLY		SCALE 10:1	DESIGN UNITS METRIC	THIRD ANGLE PROJECTION
	10 UNDER	± ---	DRAWN BY RTAKEUCHI	DATE 2008/07/02	TITLE 0.4 B-TO-B CONN. HGT=1.5 W=2.6 W/O NAIL REC ASSY		
	10 OVER 30 UNDER	± ---	CHECKED BY MSASAO	DATE 2008/07/02	MATERIAL NO. SD-503105-001		
	30 OVER	± ---	APPROVED BY MSASAO	DATE 2008/07/02	DOCUMENT NO. SD-503105-001		
ANGULAR ± --- °		DRAFT WHERE APPLICABLE MUST REMAIN WITHIN DIMENSIONS		SEE CHART		SHEET NO. 1 OF 1	
THIS DRAWING CONTAINS INFORMATION THAT IS PROPRIETARY TO MOLEX INCORPORATED AND SHOULD NOT BE USED WITHOUT WRITTEN PERMISSION							

注記 NOTES

- 製品詳細寸法については製品単体図面を参照下さい。  
RE DETAILED DIMENSION, SEE PRODUCT DRAWING.
- 梱包数量: 3000 個/リール  
NUMBER OF CONNECTORS : 3000PCS/REEL
- リードテープ長さ LEAD TAPE LENGTH



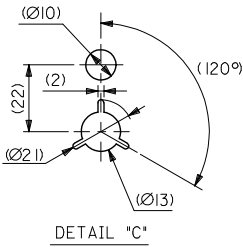
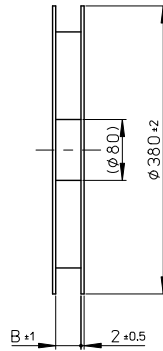
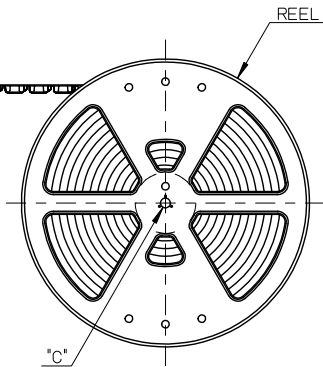
- トップテープの剥離強度: 0.1N~1.3N(10gf~130gf)  
(剥離方向は下図参照)  
尚、本規格値は出荷時に適用。(但し、輸送時に剥離が発生しないこと。)  
PEELING OFF FORCE OF TOP TAPE : 0.1N~1.3N(10gf~130gf)  
(PEELING DIRECTION AS SHOWN IN FOLLOWING FIG.)  
THIS REQUIREMENT SHOULD BE APPLIED AT SHIPMENT.  
PEEL OFF SHOULD NOT BE ALLOWED, DURING TRANSPORTION.



- 材料 MATERIAL  
キャリアテープ (CARRIER TAPE) : ポリスチレン (POLYSTYRENE)  
トップテープ (TOP TAPE) : PET, PE, PEF  
リール (REEL) : ポリスチレン (PS) <リサイクル材を含む>  
POLYSTYRENE (PS) <RECYCLE MATERIAL CONTAINED>
- ELV 及び RoHS適合品  
ELV AND RoHS COMPLIANT

10 9 8 7 6 5 4 3 2 1

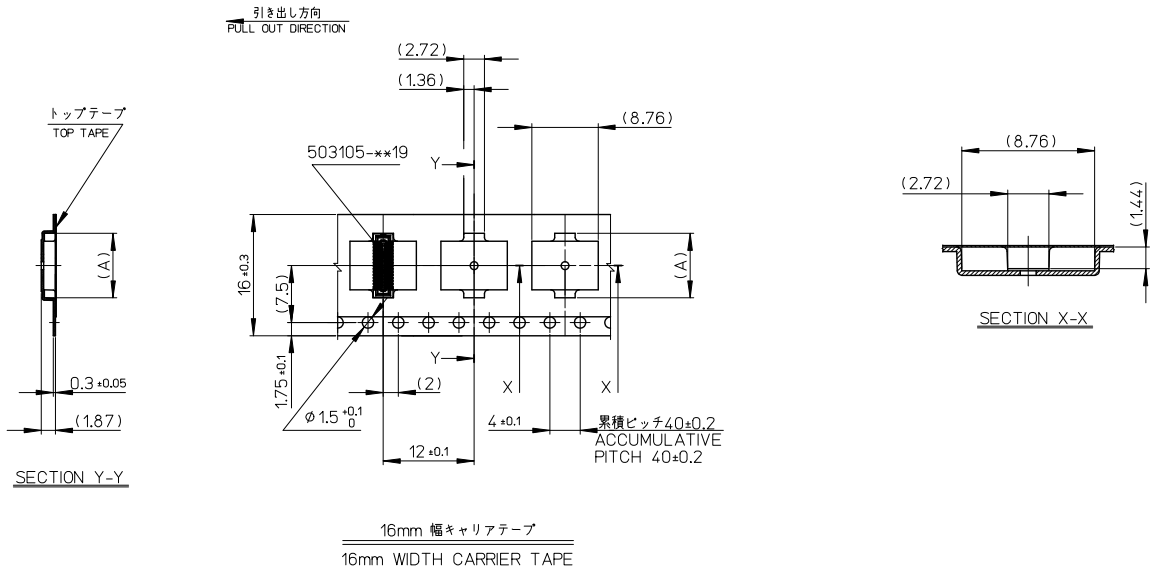
引き出し方向  
PULL OUT  
DIRECTION



REVISED EC NO. J2013-1009 DRAWN BY DRWANKIYODA 2013/03/13 CHKD: TASHIKAWA 2013/03/13 APPR: MSASAO 2013/03/13	GENERAL TOLERANCES (UNLESS SPECIFIED)		DIMENSION STYLE	SCALE	MODEL NO.	503105-***10	
	10 UNDER ±---		MM ONLY	---	DESIGN UNITS	THIRD ANGLE PROJECTION	
	10 OVER 30 UNDER ±---		DRAWN BY RTAKEUCHI	DATE 2008/08/20	TITLE	0.4 B-TO-B CONN. HGT=1.5 REC ASSY EMBSTP PKG	
	30 OVER ±---		CHECKED BY THIRATA	DATE 2008/08/20	<b>molex</b>		
ANGULAR ±---		APPROVED BY MSASAO	DATE 2008/08/20				
DRAFT WHERE APPLICABLE MUST REMAIN WITHIN DIMENSIONS		SEE CHART		MATERIAL NO.	DOCUMENT NO.	SHEET NO.	
		SIZE A3		SD-503105-002		1 OF 3	
THIS DRAWING CONTAINS INFORMATION THAT IS PROPRIETARY TO MOLEX INCORPORATED AND SHOULD NOT BE USED WITHOUT WRITTEN PERMISSION							

9 8 7 6 5 4 3 2 1

10 9 8 7 6 5 4 3 2 1



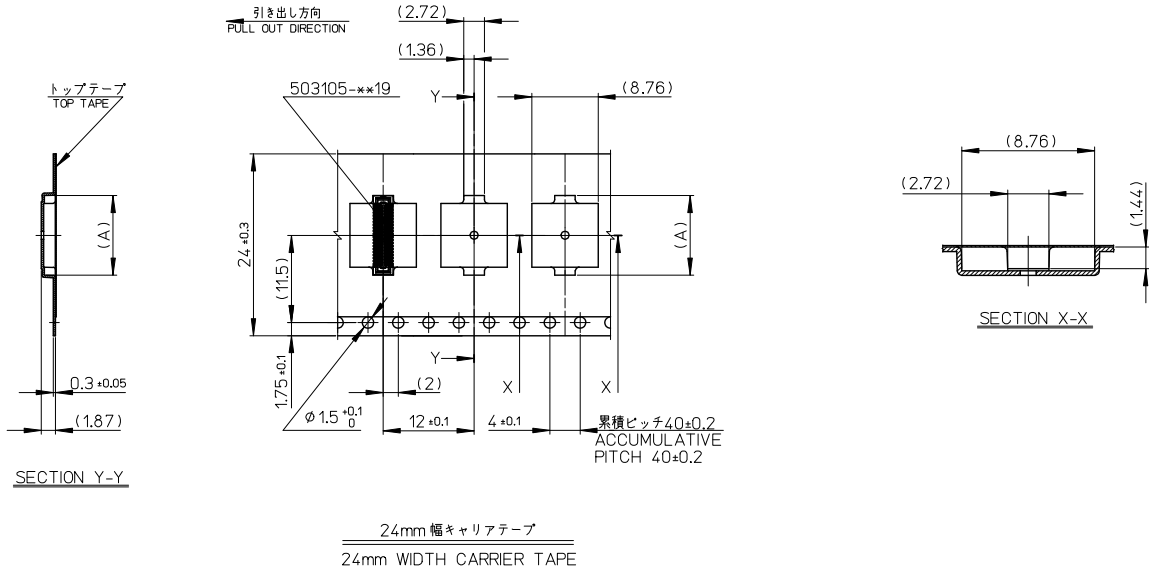
16mm 幅キャリアテープ  
16mm WIDTH CARRIER TAPE

16	17.4	8.52	503105-3010	30
キャリアテープ幅		B	MATERIAL No.	CKT.
CARRIER TAPE WIDTH		(A)	MODEL No.	503105-**-10

SEE SHEET 1 OF 3 IEC NO. J2013-1009 DRAWN BY DRANKIYODA 2013/03/13 CHECKED BY CHIKO-TAKAWA 2013/03/13 APPROVED BY MSASAO 2013/03/13	GENERAL TOLERANCES (UNLESS SPECIFIED)		DIMENSION STYLE		SCALE	DESIGN UNITS	THIRD ANGLE PROJECTION	
			MM ONLY		---	METRIC		
	10 UNDER	±---	DRAWN BY	DATE	TITLE			
	10 OVER	±---	RTAKEUCHI	2008/08/20	0.4 B-TO-B CONN. HGT=1.5 REC ASSY EMBSTP PKG			
30 UNDER	±---	CHECKED BY	DATE	<b>molex</b> DOCUMENT NO. SD-503105-002 SHEET NO. 2 OF 3				
30 OVER	±---	THIRATA	2008/08/20					
ANGULAR	±---	APPROVED BY	DATE	THIS DRAWING CONTAINS INFORMATION THAT IS PROPRIETARY TO MOLEX INCORPORATED AND SHOULD NOT BE USED WITHOUT WRITTEN PERMISSION				
DRAFT WHERE APPLICABLE MUST REMAIN WITHIN DIMENSIONS		MATERIAL NO.	DATE					

9 8 7 6 5 4 3 2 1

10 9 8 7 6 5 4 3 2 1



24mm 幅キャリアテープ  
24mm WIDTH CARRIER TAPE

24	25.5	12.52	503105-5010	50
		11.32	503105-4410	44
		10.52	503105-4010	40
キャリアテープ幅 CARRIER TAPE WIDTH	B	(A)	MATERIAL No.	CKT.
			MODEL No.	503105-**10

SEE SHEET 1 OF 3 IEC No. J2013-1009 DRAWN BY: DRWANKOTOYODA 2013/03/13 CHECKED BY: CHIKO-TASAKAWA 2013/03/13 APPROVED BY: MSASAO 2013/03/13	GENERAL TOLERANCES (UNLESS SPECIFIED)		DIMENSION STYLE MM ONLY		SCALE ---	DESIGN UNITS METRIC	THIRD ANGLE PROJECTION
	10 UNDER	±---	DRAWN BY RTAKEUCHI	DATE 2008/08/20	TITLE 0.4 B-TO-B CONN. HGT=1.5 REC ASSY EMBSTP PKG  <b>molex</b> SEE CHART SD-503105-002 SHEET NO. 3 OF 3		
	10 OVER 30 UNDER	±---	CHECKED BY THIRATA	DATE 2008/08/20			
	30 OVER	±---	APPROVED BY MSASAO	DATE 2013/03/13			
ANGULAR	±---	MATERIAL NO.		DOCUMENT NO.			
DRAFT WHERE APPLICABLE MUST REMAIN WITHIN DIMENSIONS		THIS DRAWING CONTAINS INFORMATION THAT IS PROPRIETARY TO MOLEX INCORPORATED AND SHOULD NOT BE USED WITHOUT WRITTEN PERMISSION					

9 8 7 6 5 4 3 2