

Excellent Integrated System Limited

Stocking Distributor

Click to view price, real time Inventory, Delivery & Lifecycle Information:

[Molex Connector Corporation](#)
[5033086020](#)

For any questions, you can email us directly:

sales@integrated-circuit.com

10 9 8 7 6 5 4 3 2 1

注記 NOTES

1. 使用材料 MATERIAL

ハウジング : 液晶ポリマー (LCP) UL94V-0 (黒)
 HOUSING: LIQUID CRYSTAL POLYMER UL94V-0 (COLOR: BLACK)
 ターミナル : 銅合金
 TERMINAL : COPPER ALLOY
 金具 : 銅合金
 FITTING NAIL : COPPER ALLOY

△ (全極数 / 2) = 偶数の場合に適用。
 APPLY FOR (CIRCUIT/2)=EVEN.

4. 嵌合相手 : 503304 シリーズ
 MATE WITH : 503304 SERIES.
 5. テール平坦度は、0.08 以下
 テール及び金具の平坦度は、0.1 以下
 TAIL COPLANARITY TO BE 0.08 MAXIMUM.
 TAIL AND FITTING NAIL COPLANARITY TO BE 0.1 MAXIMUM.

2. メッキ仕様 PLATING

ターミナル TERMINAL

金メッキ
 GOLD

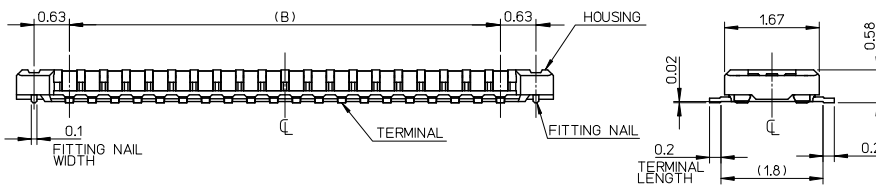
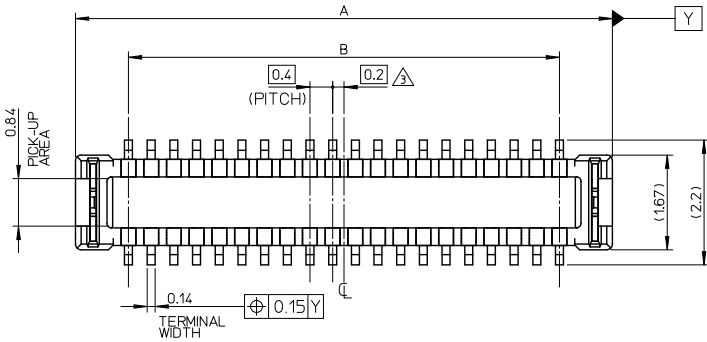
下地メッキ : ニッケルメッキ
 UNDER PLATING : NICKEL

※コンタクト部とテール部はニッケルメッキによって分断されている金メッキです。
 DIVIDE INTO PARTS THE GOLD PLATING OF THE CONTACT AND THE TAIL PART BY THE NICKEL PLATING.

金具 FITTING NAIL

錫メッキ
 Tin PLATING

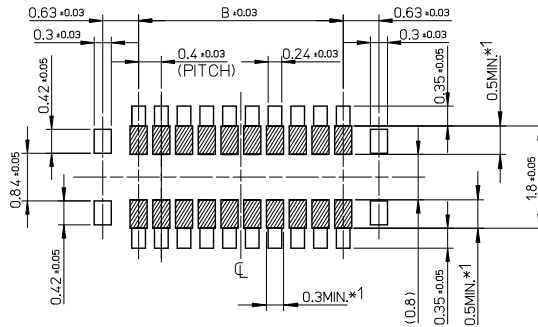
下地メッキ : ニッケルメッキ
 UNDER PLATING : NICKEL



11.6	13.47	503308-6020	60
9.6	11.47	503308-5010	50
8.4	10.27	503308-4410	44
8.0	9.87	503308-4210	42
7.6	9.47	503308-4010	40
5.6	7.47	503308-3010	30
4.8	6.67	503308-2610	26
4.4	6.27	503308-2410	24
3.6	5.47	503308-2010	20
3.2	5.07	503308-1810	18
2.8	4.67	503308-1610	16
2.0	3.87	503308-1210	12
B	A	EMBOSSED PACKAGE	極数
		オーダー番号 ORDER No.	CIRCUITS
CONNECTOR SERIES No. : 503308-**-09			

REVISED EC NO. J2011-0495 DRAWN: TAKAHASHI 03/20/10/0514 CHKD: 2010/10/05 APPR: MSASAO 2010/10/05	GENERAL TOLERANCES (UNLESS SPECIFIED)		DIMENSION STYLE MM ONLY	SCALE 15:1	DESIGN UNITS METRIC	THIRD ANGLE PROJECTION
	10 UNDER	± 0.2	DRAWN BY KSASAKI	DATE 2008/04/17	TITLE 0.4 B-TO-B CONN. HGT=0.7 W=2.6 PLUG ASS'Y	
	10 OVER 30 UNDER	± 0.25	CHECKED BY THIRATA	DATE 2008/04/17		
	30 OVER	± 0.3	APPROVED BY MSASAO	DATE 2008/04/17	MOLEX INCORPORATED DOCUMENT NO. SD-503308-001 SHEET NO. 1 OF 2	
ANGULAR ± 1 °		MATERIAL NO.				
DRAFT WHERE APPLICABLE MUST REMAIN WITHIN DIMENSIONS		SEE CHART		THIS DRAWING CONTAINS INFORMATION THAT IS PROPRIETARY TO MOLEX INCORPORATED AND SHOULD NOT BE USED WITHOUT WRITTEN PERMISSION		

10 9 8 7 6 5 4 3 2 1



RECOMMENDED P.W. BOARD
PATTERN LAYOUT

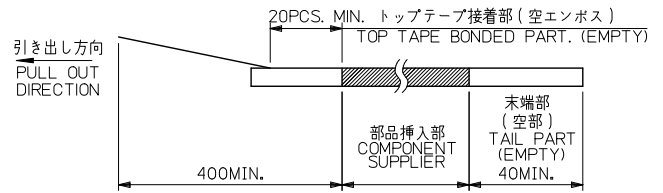
*1 パターン引き出し、および半田禁止エリア
(当該箇所においては、これと接する回路以外の配線を禁止する。
また、接する回路を配線する場合はレジストを施し、この部分に
半田は無きこととする。)

*1 PROHIBITED AREA OF PATTERN WIRING AND SOLDER.
(FOR EACH AREA, THE WIRING THAT TOUCHES ON THE SOLDER
CAN BE ATTACHED, THEN COVERED WITH A FILM TO KEEP SOLDER OUT.)

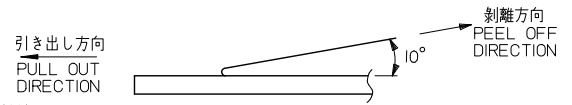
REVISED EC NO. J2011-0495 DRAWN: TAKAHASHI 03/2010/05/14 CHKD: 2010/10/05 APPR: MSASAO 2010/10/05 H	GENERAL TOLERANCES (UNLESS SPECIFIED)		DIMENSION STYLE MM ONLY		SCALE 15:1	DESIGN UNITS METRIC	THIRD ANGLE PROJECTION
	10 UNDER	± 0.2	DRAWN BY KSASAKI	DATE 2008/04/17	TITLE 0.4 B-TO-B CONN. HGT=0.7 W=2.6 PLUG ASS'Y		
	10 OVER 30 UNDER	± 0.25	CHECKED BY THIRATA	DATE 2008/04/17			
	30 OVER	± 0.3	APPROVED BY MSASAO	DATE 2008/04/17	MOLEX INCORPORATED		
ANGULAR ±1 °		MATERIAL NO. SEE CHART		DOCUMENT NO. SD-503308-001			
DRAFT WHERE APPLICABLE MUST REMAIN WITHIN DIMENSIONS		THIS DRAWING CONTAINS INFORMATION THAT IS PROPRIETARY TO MOLEX INCORPORATED AND SHOULD NOT BE USED WITHOUT WRITTEN PERMISSION					

注記 NOTES

- 製品詳細寸法については製品単体図面を参照下さい。
RE DETAILED DIMENSION, SEE PRODUCT DRAWING.
- 梱包数量: 3000 個/リール
NUMBER OF CONNECTORS : 3000PCS/REEL
- リードテープ長さ LEAD TAPE LENGTH

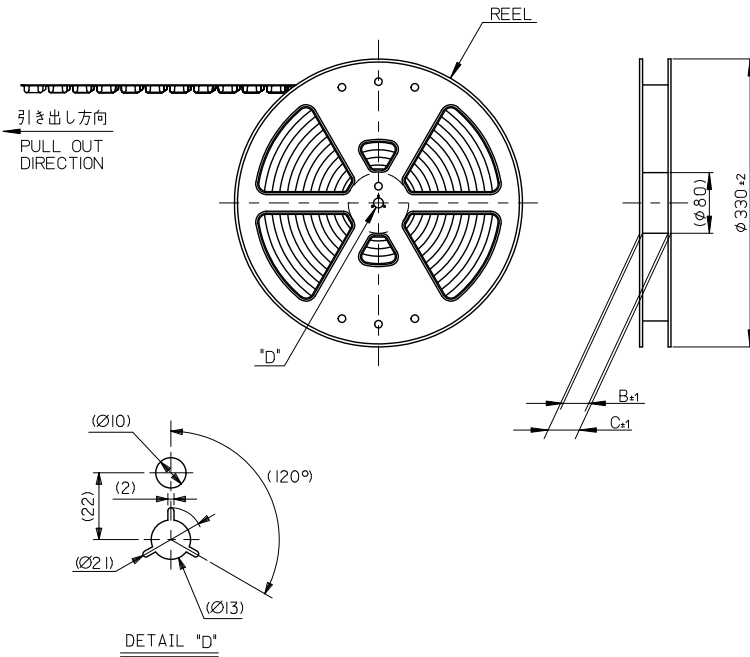


- トップテープの剥離強度: 0.1N~1.3N(10gf~130gf)
(剥離方向は下図参照)
尚、本規格値は出荷時に適用。(但し、輸送時に剥離が発生しないこと。)
PEELING OFF FORCE OF TOP TAPE : 0.1N~1.3N(10gf~130gf)
(PEELING DIRECTION AS SHOWN IN FOLLOWING FIG.)
THIS REQUIREMENT SHOULD BE APPLIED AT SHIPMENT.
PEEL OFF SHOULD NOT BE ALLOWED, DURING TRANSPORTION.



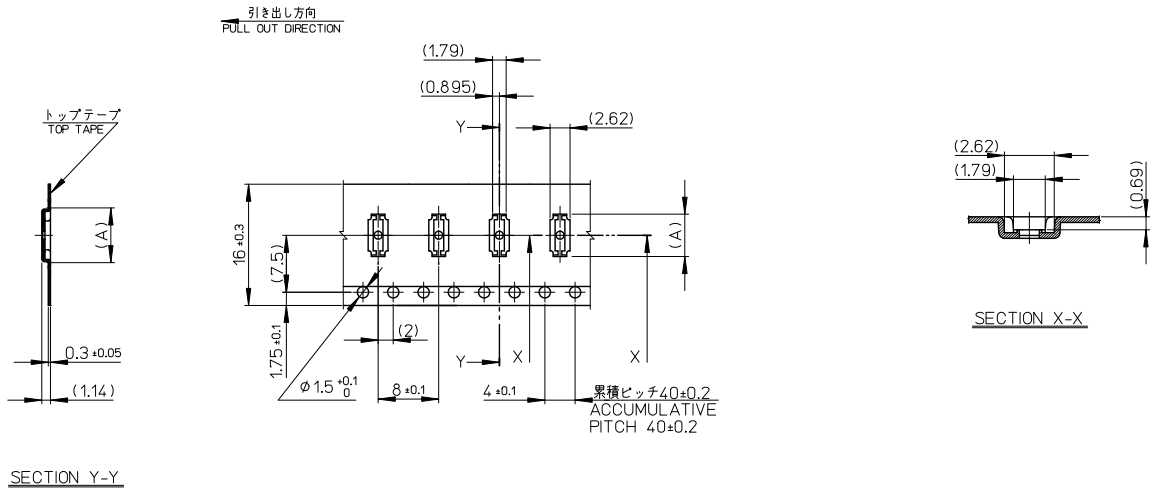
- 材料 MATERIAL
キャリアテープ (CARRIER TAPE) : ポリスチレン (POLYSTYRENE)
トップテープ (TOP TAPE) : PET , OTHER
リール (REEL) : ポリスチレン (PS) <リサイクル材を含む>
POLYSTYRENE (PS) <RECYCLE MATERIAL CONTAINED>
- ELV 及び RoHS適合品
ELV AND RoHS COMPLIANT

10 9 8 7 6 5 4 3 2 1



REVISED EC NO. J2011-0495 DRAWN BY: DRANKASAKI CHKD: CHIKO APPR: MSASAO	DESCRIPTION 2010/08/16 2010/10/05 2010/10/05	GENERAL TOLERANCES (UNLESS SPECIFIED)		DIMENSION STYLE	SCALE	MODEL NO.	503308-***10	
				MM ONLY	DESIGN UNITS	METRIC	THIRD ANGLE PROJECTION	
		10 UNDER	± 0.2	DRAWN BY	DATE	TITLE		
		10 OVER 30 UNDER	± 0.25	KSASAKI	2008/12/12	0.4 B-T0-B CONN. HGT=0.7 PLUG ASSY EMBSTP PKG		
		30 OVER	± 0.3	CHECKED BY	DATE	MOLEX INCORPORATED		
		ANGULAR ±1 °		THIRATA	2008/12/12	MOLEX INCORPORATED		
		DRAFT WHERE APPLICABLE MUST REMAIN WITHIN DIMENSIONS		APPROVED BY	DATE	MOLEX INCORPORATED		
				MSASAO	2008/12/12	MOLEX INCORPORATED		
				MATERIAL NO.	DOCUMENT NO.	SHEET NO.		
				SEE CHART	SD-503308-002	1 OF 3		
				SIZE	THIS DRAWING CONTAINS INFORMATION THAT IS PROPRIETARY TO MOLEX INCORPORATED AND SHOULD NOT BE USED WITHOUT WRITTEN PERMISSION			
				A3				

10 9 8 7 6 5 4 3 2 1

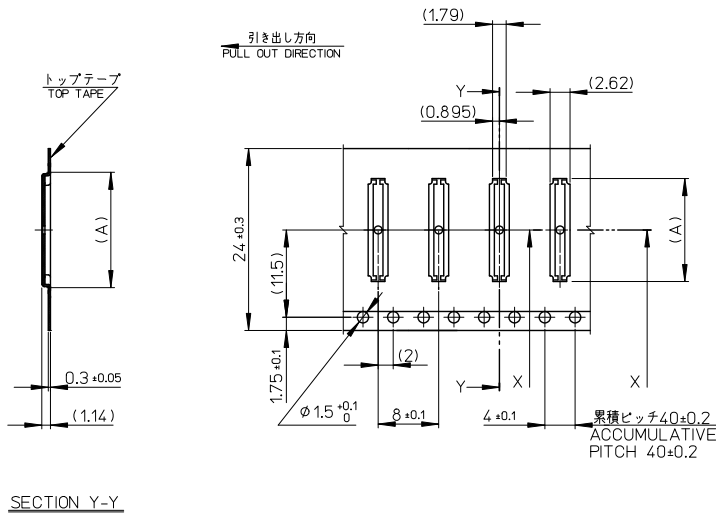


16mm 幅キャリアテープ
16mm WIDTH CARRIER TAPE

16	21.4	17.4	6.79	503308-2610	26
			6.39	503308-2410	24
			5.59	503308-2010	20
			5.19	503308-1810	18
			4.79	503308-1610	16
			3.99	503308-1210	12
キャリアテープ幅 CARRIER TAPE WIDTH			(A)	MATERIAL No.	CKT.
				MODEL No.	503308-***10

REVISED EC NO. J2011-0495 DRAWN: KSASAKI 2010/08/16 CHKD: 2010/10/05 APPR: MSASAO 2010/10/05 REV. DESCRIPTION	GENERAL TOLERANCES (UNLESS SPECIFIED)		DIMENSION STYLE	SCALE	DESIGN UNITS	THIRD ANGLE PROJECTION
			MM ONLY		METRIC	
	10 UNDER	± 0.2	DRAWN BY	DATE	TITLE	
	10 OVER 30 UNDER	± 0.25	KSASAKI	2008/12/12	0.4 B-TO-B CONN. HGT=0.7 PLUG ASSY EMBSTP PKG	
	30 OVER	± 0.3	CHECKED BY	DATE	MOLEX INCORPORATED	
ANGULAR	± 1°	THIRATA	2008/12/12	MATERIAL No.		
DRAFT WHERE APPLICABLE MUST REMAIN WITHIN DIMENSIONS		APPROVED BY	DATE	DOCUMENT NO.		
		MSASAO	2008/12/12	SD-503308-002		
		SEE CHART		SHEET NO.		
		THIS DRAWING CONTAINS INFORMATION THAT IS PROPRIETARY TO MOLEX INCORPORATED AND SHOULD NOT BE USED WITHOUT WRITTEN PERMISSION		2 OF 3		

10 9 8 7 6 5 4 3 2 1



24mm 幅キャリアテープ
24mm WIDTH CARRIER TAPE

24	29.4	25.4	13.59	503308-6020	60
			11.59	503308-5010	50
			10.39	503308-4410	44
			9.99	503308-4210	42
			9.59	503308-4010	40
			7.59	503308-3010	30
キャリアテープ幅 CARRIER TAPE WIDTH			(A)	MATERIAL No.	CKT.
				MODEL No.	503308-**-10

REVISED EC NO. J2011-0495 DRAWN: KSASAKI 2010/08/16 CHKD: 2010/10/05 APPR: MSASAO 2010/10/05 REV. DESCRIPTION	GENERAL TOLERANCES (UNLESS SPECIFIED)		DIMENSION STYLE	SCALE	DESIGN UNITS	TITLE 0.4 B-TO-B CONN. HGT=0.7 PLUG ASSY EMBSTP PKG MOLEX INCORPORATED DOCUMENT NO. SD-503308-002 SHEET NO. 3 OF 3
	10 UNDER	±0.2	MM ONLY		METRIC	
	10 OVER 30 UNDER	±0.25			THIRD ANGLE PROJECTION	
	30 OVER	±0.3				
	ANGULAR	±1°				
DRAFT WHERE APPLICABLE MUST REMAIN WITHIN DIMENSIONS		DRAWN BY	DATE	MATERIAL NO.		
		KSASAKI	2008/12/12	SEE CHART		
		CHECKED BY	DATE	INCORPORATED AND SHOULD NOT BE USED WITHOUT WRITTEN PERMISSION		
		THIRATA	2008/12/12			
		APPROVED BY	DATE			
		MSASAO	2008/12/12			