

Excellent Integrated System Limited

Stocking Distributor

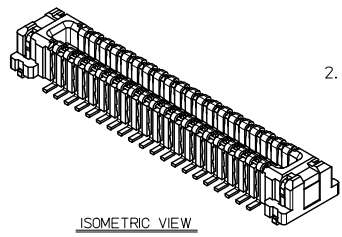
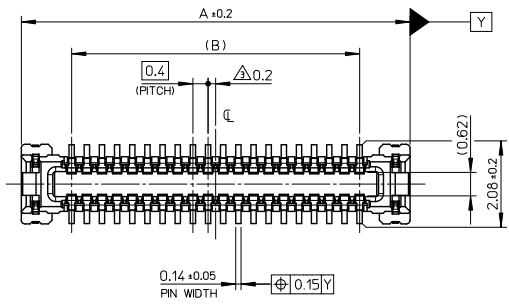
Click to view price, real time Inventory, Delivery & Lifecycle Information:

[Molex Connector Corporation](#)
[5034608010](#)

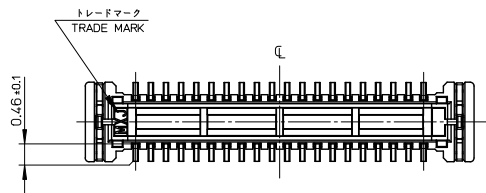
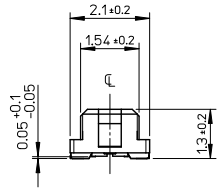
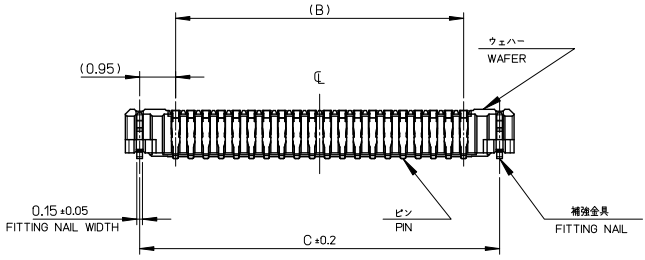
For any questions, you can email us directly:

sales@integrated-circuit.com

10 9 8 7 6 5 4 3 2 1



ISOMETRIC VIEW



注記 NOTES

1. 使用材料 MATERIAL

ウェハー: 液晶ポリマー (LCP), ガラス充填, UL94V-0, 黒
WAFER: LIQUID CRYSTAL POLYMER(LCP), GLASS FILLED, UL94V-0, BLACK
ピン: りん青銅 (t=0.08)
PIN: PHOSPHOR BRONZE (t=0.08)

金具: りん青銅 (t=0.15)
FITTING NAIL: PHOSPHOR BRONZE (t=0.15)

2. メッキ仕様 PLATING

ピン PIN

金メッキ: 0.1 マイクロメートル以上
GOLD 0.1MICROMETER MINIMUM

下地メッキ: ニッケルメッキ 1.0 マイクロメートル以上
UNDER PLATING: NICKEL 1.0MICROMETER MINIMUM

※コンタクト部とテール部はニッケルメッキによって分断されている金メッキです。
DIVIDE INTO PARTS THE GOLD PLATING OF THE CONTACT AND THE TAIL PART BY THE NICKEL PLATING.

※封孔処理品

SEALING DISPOSITION

金具 FITTING NAIL

フラッシュ金メッキ
FLASH Au PLATING

下地メッキ: ニッケルメッキ 1.0 マイクロメートル以上
UNDER PLATING: NICKEL 1.0MICROMETER MINIMUM

△ (全接数/2) = 偶数の場合に適用。
APPLY FOR (CIRCUIT/2)=EVEN.

4. 嵌合相手: 502426 シリーズ
MATE WITH: 502426 SERIES.

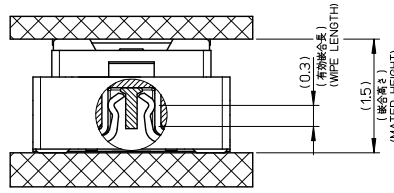
5. テール平坦度は、0.08 以下
テール及び金具の平坦度は、0.1 以下
TAIL AND FITTING NAIL FLATNESS TO BE 0.1 MAXIMUM.

6. ELV 及び RoHS 適合品
ELV AND RoHS COMPLIANT.

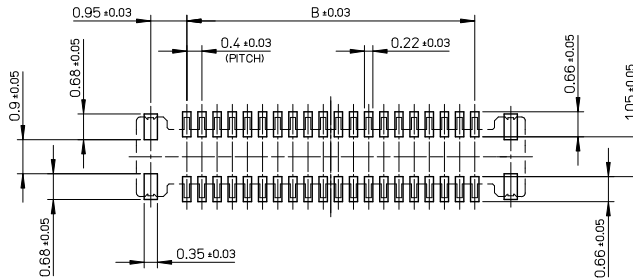
17.5	15.6	18.26	503460-8010	80
C	B	A	EMBOSSED TAPE	CKT.
			ORDER No. オーダー番号	
CONNECTOR SERIES No.: 503460-***19				

REVISED EC NO.: J2010-2429 DRAWN: KAIHO 2010/05/31 CHKD: S. MARIYAMA 2010/06/01 APPR: M. SASAO 2010/06/02	GENERAL TOLERANCES (UNLESS SPECIFIED)		DIMENSION STYLE MM ONLY		SCALE 10:1	DESIGN UNITS METRIC	THIRD ANGLE PROJECTION
	10 UNDER	±---	DRAWN BY K. TOYODA	DATE 2009/12/02	TITLE 0.4 B-TO-B CONN. HGT=1.5 W=2.6 PLUG ASSY		
	10 OVER	±---	CHECKED BY S. MARIYAMA	DATE 2009/12/02	MOLEX INCORPORATED		
	30 OVER	±---	APPROVED BY M. SASAO	DATE 2009/12/02	DOCUMENT NO. SD-503460-001		
A	ANGULAR ±---	DRAFT WHERE APPLICABLE MUST REMAIN WITHIN DIMENSIONS		MATERIAL NO. SEE CHART		SHEET NO. 1 OF 2	
				SIZE A3 THIS DRAWING CONTAINS INFORMATION THAT IS PROPRIETARY TO MOLEX INCORPORATED AND SHOULD NOT BE USED WITHOUT WRITTEN PERMISSION			

10 9 8 7 6 5 4 3 2 1



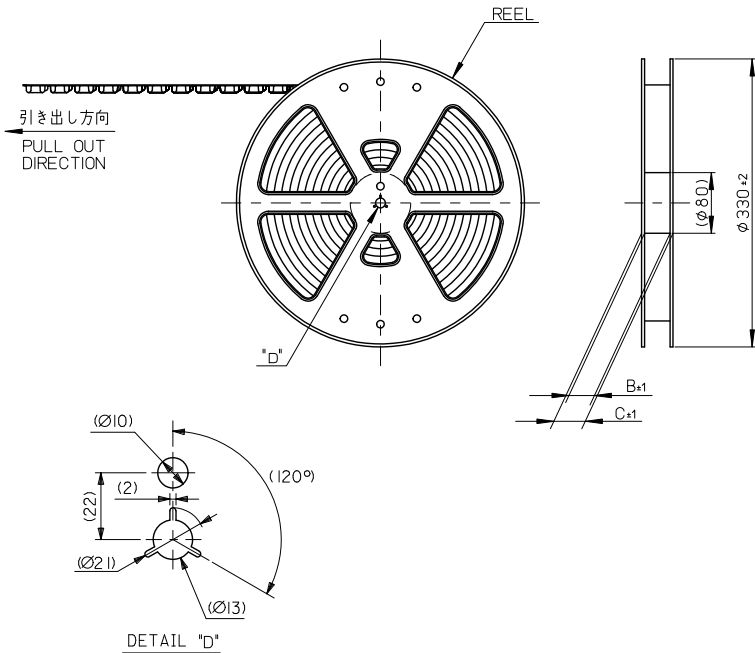
嵌合断面図 (参考)
MATED DRAWING (REFERENCE)
(SCALE 20:1)



推奨基板寸法 (参考)
P.W. BOARD PATTERN LAYOUT (REFERENCE)

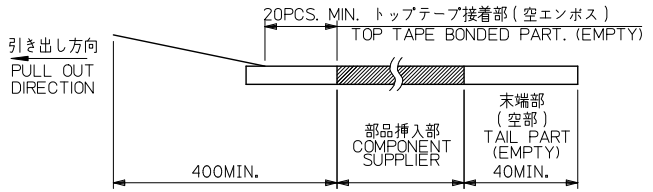
SEE SHEET 1 OF 2 EC NO. J2010-2429 DRAWN: KAIHO 2010/05/31 CHECKED: MARIYAMA 2010/06/01 APPROVED: SASAO 2010/06/02	GENERAL TOLERANCES (UNLESS SPECIFIED)		DIMENSION STYLE MM ONLY		SCALE 10:1	DESIGN UNITS METRIC	THIRD ANGLE PROJECTION
	10 UNDER	± ---	DRAWN BY K. TOYODA	DATE 2009/12/02	TITLE 0.4 B-TO-B CONN. HGT=1.5 W=2.6 PLUG ASSY		
	10 OVER	± ---	CHECKED BY S. MARIYAMA	DATE 2009/12/02	MOLEX INCORPORATED DOCUMENT NO. SD-503460-001 SHEET NO. 2 OF 2		
	30 OVER	± ---	APPROVED BY M. SASAO	DATE 2009/12/02			
ANGULAR	± --- °	MATERIAL NO.		SEE SHEET 1			
DRAFT WHERE APPLICABLE MUST REMAIN WITHIN DIMENSIONS		THIS DRAWING CONTAINS INFORMATION THAT IS PROPRIETARY TO MOLEX INCORPORATED AND SHOULD NOT BE USED WITHOUT WRITTEN PERMISSION					

10 9 8 7 6 5 4 3 2 1



注記 NOTES

1. 製品詳細寸法については製品単体図面を参照下さい。
FOR DETAIL OF CONNECTOR DIMENSIONS,
PLEASE SEE THE DRAWING OF CONNECTOR ITSELF (NOT PACKAGED).
2. 梱包数量: 3000 個/リール
NUMBER OF CONNECTORS : 3000PCS/REEL
3. リードテープ長さ LEAD TAPE LENGTH

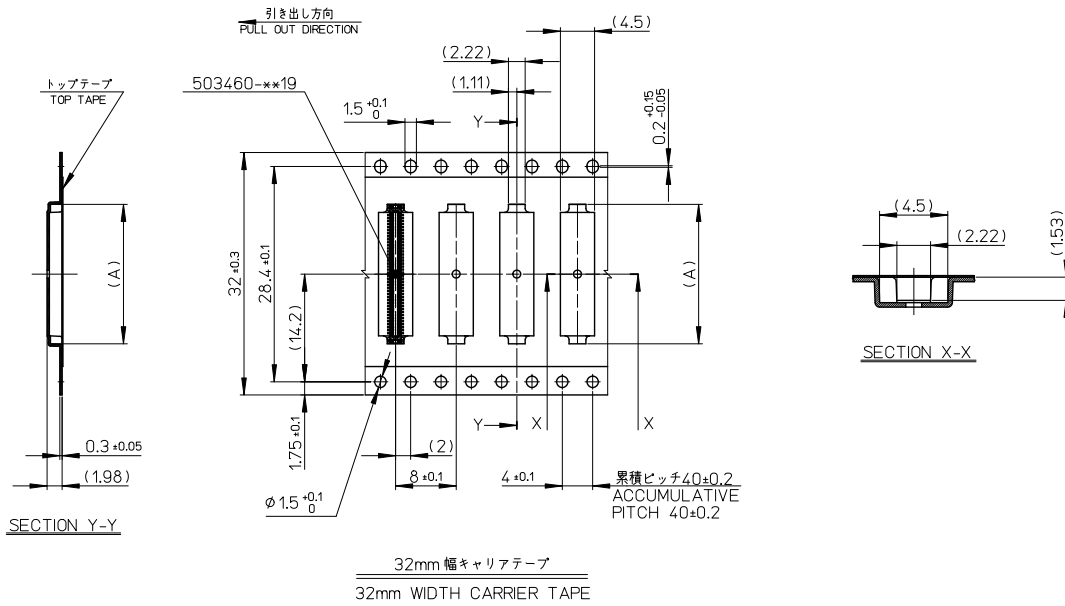


4. 材料 MATERIAL
キャリアテープ (CARRIER TAPE) : ポリスチレン (POLYSTYRENE)
トップテープ (TOP TAPE) : PET , OTHER
リール (REEL) : ポリスチレン (PS) <リサイクル材を含む>
POLYSTYRENE (PS) <RECYCLE MATERIAL CONTAINED>
5. ELV及びRoHS適合品
ELV AND RoHS COMPLIANT

MODEL NO. : 503460-**10

RELEASED EC NO. J2010-1155 DRAWN BY K. TOYODA 2009/12/08 CHECKED BY S. MARIYAMA 2009/12/08 APPROVED BY M. SASAO 2009/12/08	GENERAL TOLERANCES (UNLESS SPECIFIED)		DIMENSION STYLE MM ONLY	SCALE ---	DESIGN UNITS METRIC	THIRD ANGLE PROJECTION
	10 UNDER	±---	DRAWN BY K. TOYODA	DATE 2009/12/02	TITLE 0.4 B-TO-B CONN. HGT=1.5 W=2.6 PLUG ASSY EMBSTP PKG	
	10 OVER 30 UNDER	±---	CHECKED BY S. MARIYAMA	DATE 2009/12/02	MOLEX INCORPORATED	
	30 OVER	±---	APPROVED BY M. SASAO	DATE 2009/12/02	DOCUMENT NO. SD-503460-002	SHEET NO. 1 OF 2
0	ANGULAR ±---	DRAFT WHERE APPLICABLE MUST REMAIN WITHIN DIMENSIONS		SEE CHART		THIS DRAWING CONTAINS INFORMATION THAT IS PROPRIETARY TO MOLEX INCORPORATED AND SHOULD NOT BE USED WITHOUT WRITTEN PERMISSION

10 9 8 7 6 5 4 3 2 1



32	37.4	33.4	18.38	503460-8010	80
キャリアテープ幅 CARRIER TAPE WIDTH			C	B	(A)
				MATERIAL No.	CKT.
				MODEL No. : 503460-8010	

SEE SHEET 1 OF 2 EC NO. J2010-1155 DRAWN BY K. TOYODA 2009/12/08 CHECKED BY S. MARUYAMA 2009/12/08 APPROVED BY M. SASAO 2009/12/08	GENERAL TOLERANCES (UNLESS SPECIFIED)		DIMENSION STYLE	SCALE	DESIGN UNITS	THIRD ANGLE PROJECTION
	10 UNDER	±---	MM ONLY	2:1	METRIC	☉ □
	10 OVER 30 UNDER	±---	DRAWN BY K. TOYODA 2009/12/08		TITLE	
	30 OVER	±---	CHECKED BY S. MARUYAMA 2009/12/08		0.4 B-TO-B CONN. HGT=1.5 W=2.6 PLUG ASSY EMBSTP PKG	
	ANGULAR	±---	APPROVED BY M. SASAO 2009/12/08		MOLEX INCORPORATED	
DRAFT WHERE APPLICABLE MUST REMAIN WITHIN DIMENSIONS			MATERIAL NO.		DOCUMENT NO.	
			SEE CHART		SD-503460-002	
			THIS DRAWING CONTAINS INFORMATION THAT IS PROPRIETARY TO MOLEX INCORPORATED AND SHOULD NOT BE USED WITHOUT WRITTEN PERMISSION			