

Excellent Integrated System Limited

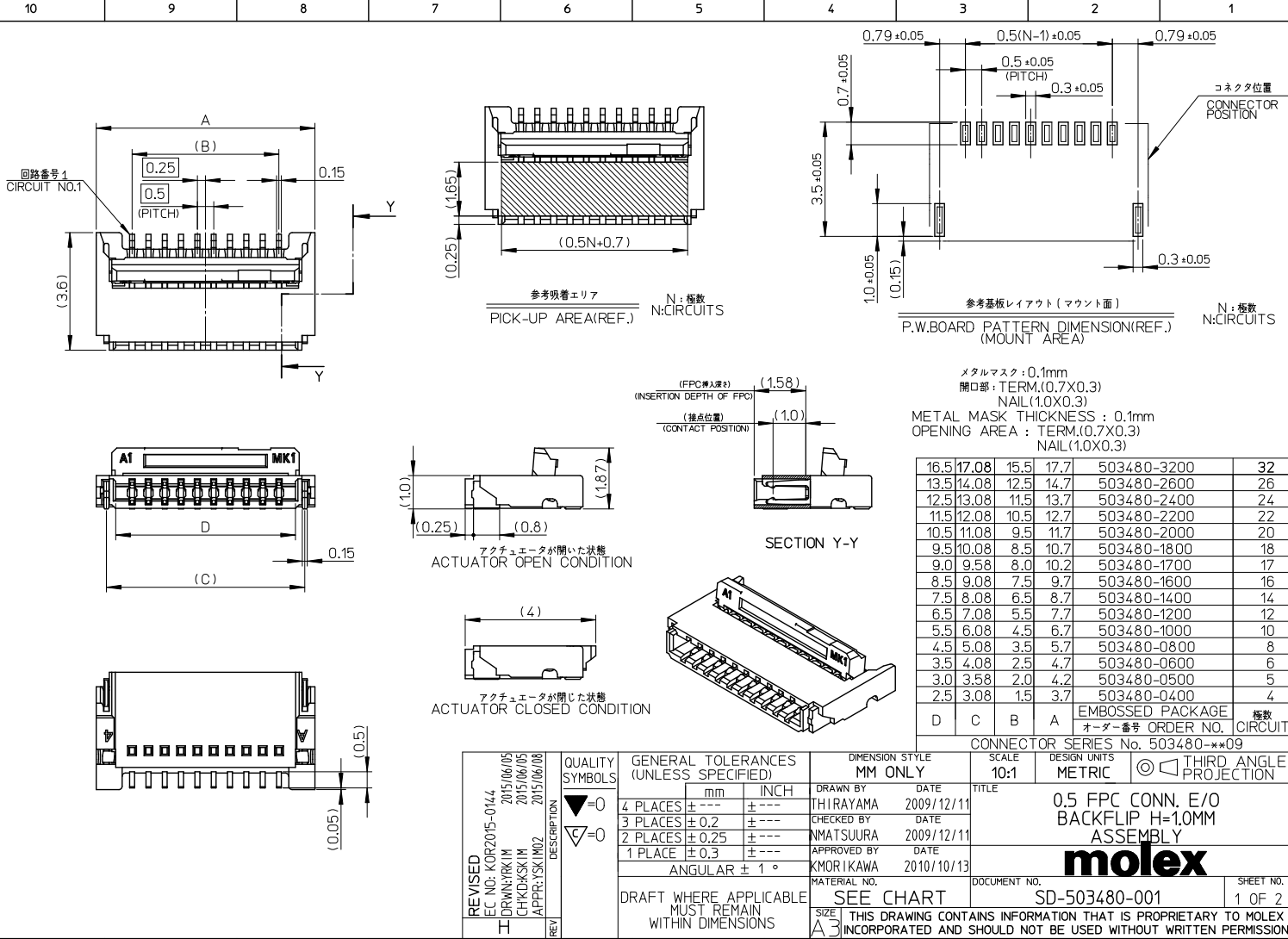
Stocking Distributor

Click to view price, real time Inventory, Delivery & Lifecycle Information:

[Molex Connector Corporation](#)
[5034803200](#)

For any questions, you can email us directly:

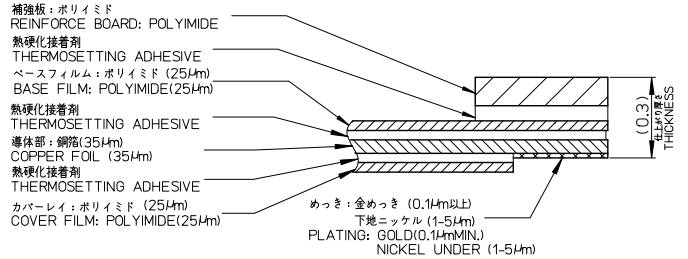
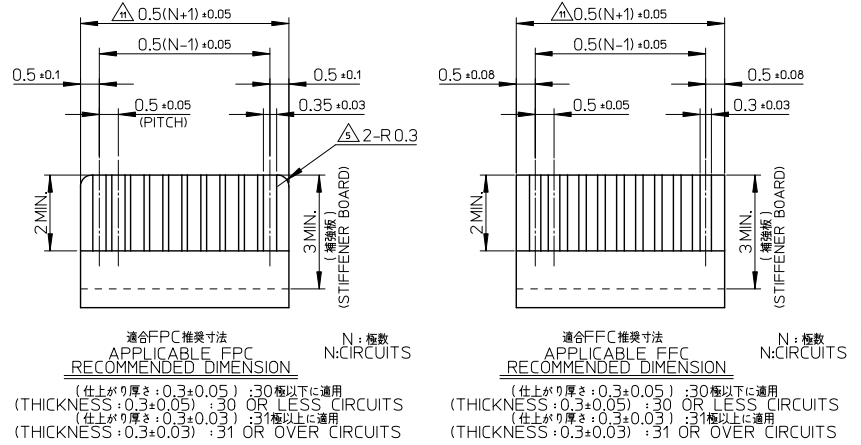
sales@integrated-circuit.com



10 9 8 7 6 5 4 3 2 1

NOTES

- 部品構成
PART COMPOSITION
ハウジング・・・材質：液晶ポリマー(LCP)、ガラス充填、UL94V-0、ナチュラル(白)
HOUSING MATERIAL: LIQUID CRYSTAL POLYMER(LCP), GLASS FILLED, UL94V-0, NATURAL(WHITE)
ターミナル・・・材質：燐青銅
TERMINAL MATERIAL: PHOSPHOR BRONZE
コンタクト部：部分金メッキ(0.1μm以上)
CONTACT部: PARTIAL GOLD PLATING (0.1 MICROMETER MINIMUM)
テール部：部分金メッキ
TAIL部: PARTIAL GOLD PLATING
下地：ニッケルメッキ(1.0μm以上)
UNDERPLATE: NICKEL OVERALL(1.0 MICROMETER MINIMUM)
SOLDER TAIL AREA: SEPARATED GOLD PLATING
SOLDER TAIL AREA: SEPARATED GOLD PLATING
UNDERPLATE: NICKEL OVERALL(1.0 MICROMETER MINIMUM)
アクチュエータ・・・材質：ポリアミド(PA)、ガラス充填、UL94 HB、黒色
ACTUATOR MATERIAL: POLYAMIDE(PA), GLASS FILLED, UL94 HB, BLACK
ネイル・・・材質：燐青銅
NAIL MATERIAL: PHOSPHOR BRONZE
テール部：部分金メッキ(0.1μm以上)
TAIL部: PARTIAL GOLD PLATING (0.1 MICROMETER MINIMUM)
下地：ニッケルメッキ(1.0μm以上)
UNDERPLATE: NICKEL OVERALL(1.0 MICROMETER MINIMUM)
SOLDER TAIL AREA: TIN OVERALL(1.0 MICROMETER MINIMUM)
UNDERPLATE: NICKEL OVERALL(1.0 MICROMETER MINIMUM)
- 基板表裏面にアクチュエータを操作しないで下さい。
PLEASE DO NOT OPERATE THE ACTUATOR BEFORE MOUNTING.
- 必ずFPCを挿入してからアクチュエータを操作して下さい。
PLEASE OPERATE THE ACTUATOR AFTER INSERTING THE FPC INTO THE CONNECTOR.
- FPCについて
ABOUT FPC
補強フィルム材質はポリアミドを推奨します。ベースフィルムは25μmを推奨します。
RECOMMENDED STIFFENER MATERIAL: POLYIMIDE
RECOMMENDED BASE FILM THICKNESS: 25 MICROMETER
RECOMMENDED ADHESIVE: THERMOSETTING ADHESIVE
NOTE: PLEASE PUT APPROPRIATE AMOUNT OF ADHESIVE ON ADHEREND BECAUSE THERE IS A POSSIBILITY THAT THE EXTRA ADHESIVE CAUSES THE DEFECT IN ELECTRICAL CONTINUITY.
打抜き方向は導体側から補強板側を推奨致します。
RECOMMENDED PUNCHER DIRECTION: FROM CONDUCTOR SIDE TO STIFFENER FILM SIDE.
RECOMMENDED CONDUCTOR SPECIFICATION: THICKNESS OF SOFT COPPER FOIL: 35MICROMETER
R0.3は、FPC導体部にかからないこと。
R0.3 MUST NOT BE OVERLAPPED TO PATTERN OF FPC.
6. ELV及びRoHS適合品
ELV AND ROHS COMPLIANT
7. 平坦度: 0.1以下
FLATNESS: 0.1 MAXIMUM
8. 製造上の都合により機能に阻害しない部分の形状を変更する可能性があります。
PLEASE RECOGNIZE A POSSIBILITY TO CHANGE THE SHAPE OF THE PART THAT DOES NOT OBSTRUCT A FUNCTION, BY CIRCUMSTANCES IN OUR PRODUCTION.
9. 本製品の納入状態はアクチュエータが開いた状態となります。
THIS PRODUCT IS DELIVERED WITH THE ACTUATOR IN THE OPEN POSITION.
10. 本製品は両面(上面、下面)接触に対応しております。
THIS PRODUCT IS DUAL-CONTACT (TOP- AND BOTTOM-CONTACTS) TYPE CONNECTOR.
FPC幅が0.5(N+1)+0.02を超える場合、FPC挿入性の事前確認をお願いします。
PLEASE CONFIRM TO INSERT FPC IN ADVANCE WHEN FPC WIDTH IS OVER 0.5(N+1)+0.02.

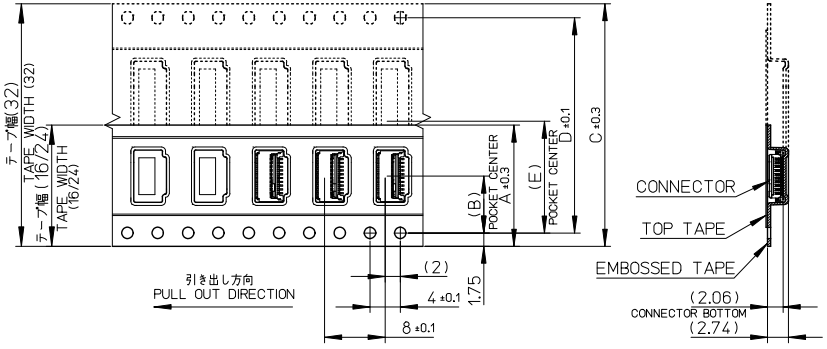
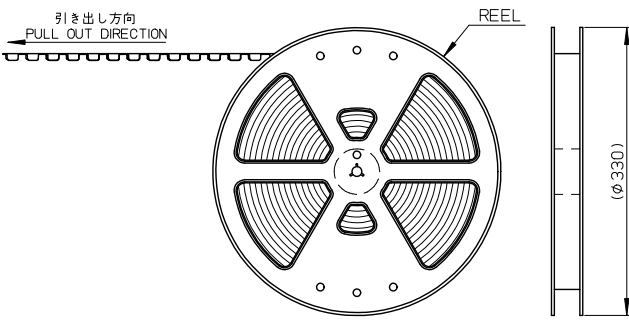


FPC構成推奨仕様
STRUCTURE OF FPC

SEE SHEET1 EC No. KOR2015-0144 DRAWN: YK/M CHK: KSK/M APPR: YSK/MOZ	QUALITY SYMBOLS ▽=0 ▽=0	GENERAL TOLERANCES (UNLESS SPECIFIED)		DIMENSION STYLE		SCALE	DESIGN UNITS	THIRD ANGLE PROJECTION
		mm	INCH	MM ONLY		10:1	METRIC	
H	REV	4 PLACES	±---	±---	DRAWN BY	DATE	0.5 FPC CONN. E/O BACKFLIP H=1.0MM ASSEMBLY	SHEET NO. 2 OF 2
		3 PLACES	±0.2	±---	THIRAYAMA	2009/12/11		
		2 PLACES	±0.25	±---	CHECKED BY	DATE		
		1 PLACE	±0.3	±---	NMATSUURA	2009/12/11		
		ANGULAR ± 1°		APPROVED BY	DATE	DOCUMENT NO.		
		DRAFT WHERE APPLICABLE MUST REMAIN WITHIN DIMENSIONS		MATERIAL NO.		SD-503480-001		
				SEE SHEET1		THIS DRAWING CONTAINS INFORMATION THAT IS PROPRIETARY TO MOLEX INCORPORATED AND SHOULD NOT BE USED WITHOUT WRITTEN PERMISSION		

9 8 7 6 5 4 3 2 1

10 9 8 7 6 5 4 3 2 1



NOTES

1. 製品(503480-**-09)の詳細寸法については、SD-503480-001をご参照下さい。
IN THE PACKAGE, PART NO.503480-**-09 DETAILED DIMENSIONS, REFER TO SD-503480-001.

2. 梱包数量: 3000個/リール
NUMBER OF CONNECTORS : 3000PCS/REEL

3. リードテープの長さ
LEAD TAPE LENGTH
トップテープ未接着部 TOP TAPE NON-BONDED PART 15 MIN.
トップテープ接着部(空エンボス) TOP TAPE BONDED PART(EMPTY) 20 PCS. MIN.



4. 材料
キャリアテープ : PET
トップテープ : PET, OTHER
リール : PS<リサイクル材を含む>
MATERIAL
CARRIER TAPE : PET
TOP TAPE : PET, OTHER
REEL : PS <RECYCLE MATERIAL CONTAINED>

5. カバーテープの剥離強度については、IEC60286-3に準拠
COVER TAPE PEEL FORCE IS DEFINED BY IEC60286-3.

エンボステープ内の製品の向き
DIRECTION OF CONNECTOR IN EMBOSSED TAPE

14.2	28.4	32	-	-	32	503480-3200	32
-	-	-	11.5	24	24	503480-2600	26
-	-	-	11.5	24	24	503480-2400	24
-	-	-	11.5	24	24	503480-2200	22
-	-	-	11.5	24	24	503480-2000	20
-	-	-	11.5	24	24	503480-1800	18
-	-	-	11.5	24	24	503480-1700	17
-	-	-	11.5	24	24	503480-1600	16
-	-	-	11.5	24	24	503480-1400	14
-	-	-	11.5	24	24	503480-1200	12
-	-	-	11.5	24	24	503480-1000	10
-	-	-	7.5	16	16	503480-0800	8
-	-	-	7.5	16	16	503480-0600	6
-	-	-	7.5	16	16	503480-0500	5
-	-	-	7.5	16	16	503480-0400	4
E	D	C	B	A	テープ幅 TAPE WIDTH	オーダー番号 ORDER NO.	極数 CIRCUIT
					MM ONLY	DESIGN UNITS METRIC	THIRD ANGLE PROJECTION

REVISED EC NO: KOR2015-0144 DRAWN: YK/M 2015/06/05 CHK: KSK/M 2015/06/05 APPR: YSK/MOZ 2015/06/08 REV DESCRIPTION	QUALITY SYMBOLS	GENERAL TOLERANCES (UNLESS SPECIFIED)	DIMENSION STYLE	SCALE	TITLE
	▽=0	4 PLACES ±0.2 ±---	MM ONLY	2:1	0.5 FPC CONN, E/O EMBOSSED TAPE PACKAGE molex DOCUMENT NO. SD-503480-002 SHEET NO. 1 OF 1
	▽=0	3 PLACES ±0.25 ±---	DRAWN BY DATE		
		2 PLACES ±0.3 ±---	THIRAYAMA 2009/12/11	CHECKED BY DATE	
	1 PLACE ±--- ±---	NMATSUURA 2009/12/11	APPROVED BY DATE		
		ANGULAR ± 3°	KNORIKAWA 2009/12/11		
		DRAFT WHERE APPLICABLE MUST REMAIN WITHIN DIMENSIONS	SEE TABLE		
			SIZE A3		

9 8 7 6 5 4 3 2 1