

## Excellent Integrated System Limited

Stocking Distributor

Click to view price, real time Inventory, Delivery & Lifecycle Information:

[Molex Connector Corporation](#)  
[0444783112](#)

For any questions, you can email us directly:  
[sales@integrated-circuit.com](mailto:sales@integrated-circuit.com)

ITEM NO.	FORM	WIRE GAGE	RANGE OF INSULATION DIA.	DIM. "A"	DIM. "B"	DIM. "C"	DIM. "D"	DIM. "E"	DIM. "F"
44478-1111	CHAIN	18-20 GA.	.051-.122	.075±.012	.091±.016	.020	.142±.012	.177±.016	.035
44478-1112	LOOSE		(1.30-3.10)	(1.90±.30)	(2.30±.40)	(.50)	(3.60±.30)	(4.50±.40)	(.90)
44478-3111	CHAIN	16 GA.	.122	.091±.012	.106±.016	.024	.142±.012	.177±.016	.035
44478-3112	LOOSE		(3.10) MAX.	(2.30±.30)	(2.70±.40)	(.60)	(3.60±.30)	(4.50±.40)	(.90)
44478-1211	CHAIN	18-20 GA.	.051-.122	.075±.012	.091±.016	.020	.142±.012	.177±.016	.035
44478-1212	LOOSE		(1.30-3.10)	(1.90±.30)	(2.30±.40)	(.50)	(3.60±.30)	(4.50±.40)	(.90)
44478-3211	CHAIN	16 GA.	.122	.091±.012	.106±.016	.024	.142±.012	.177±.016	.035
44478-3212	LOOSE		(3.10) MAX.	(2.30±.30)	(2.70±.40)	(.60)	(3.60±.30)	(4.50±.40)	(.90)

**LEGEND:**

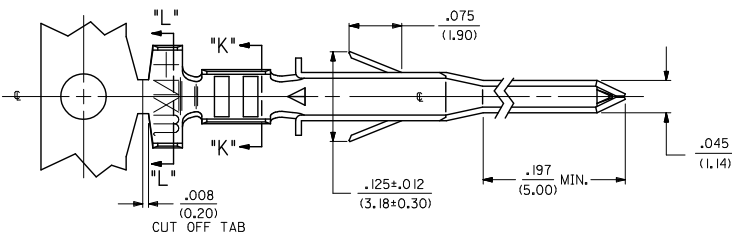
44478 - \* \* 1 \*

BASE NO. \_\_\_\_\_

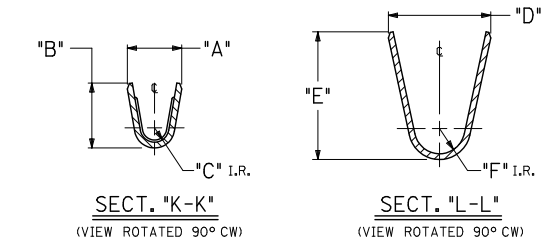
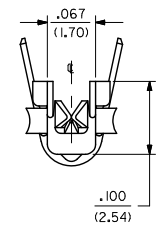
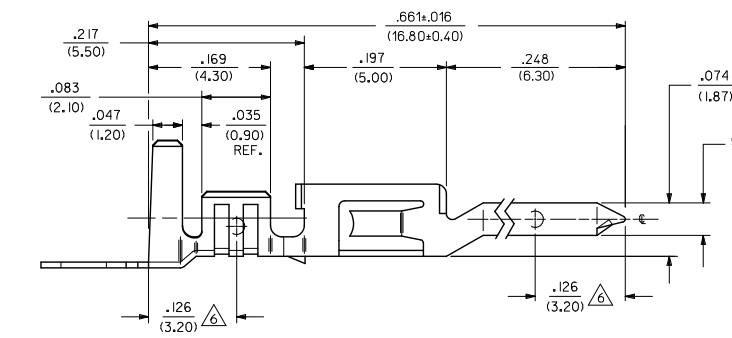
WIRE GAGE  
1 = 18-20 AWG  
3 = 16 AWG

CHAIN OR LOOSE  
"1" = CHAIN  
"2" = LOOSE

PLATING  
SEE NOTE 2



- NOTES:**
- MATERIAL:  
COPPER ALLOY, .008/(0.20) THICK.
  - FINISH:  
\*1= PLATING: POSTPLATE .000100/(0.00254) MIN. BRIGHT TIN OVER .000030/(0.00076) MIN. NICKEL OVERALL.  
\*2=PLATING: POSTPLATE .000030/(0.00076) MIN. SELECT GOLD AND .000100/(0.00254) MIN. MATTE TIN OVER .000050/(0.00127) MIN. NICKEL OVERALL.  
\*THE PRIMARY SHIPPING CARTON WILL BE LABELED "COMPLIANT TO RoHS DIRECTIVE 2002/95/EC AND ELV ANNEX II OF DIRECTIVE 2000/53/EC." CARTONS WITHOUT THIS LABEL MAY CONTAIN PRODUCT WITH TIN-LEAD PLATING.
  - PRODUCT SPECIFICATION PS-44476-001.
  - PACKAGING SPECIFICATION: PK-44478-001 FOR CHAIN TERMINALS  
PK-5556-003 FOR LOOSE TERMINALS
  - TERMINAL IS FOR USE WITH MOLEX PLUG HOUSINGS 5559, 30068 AND 42475.
  - MEASURING POINT FOR PLATING THICKNESS.
  - ITEM NUMBERS PRECEDED BY AN "X" IN THE CHART ARE NOT AVAILABLE.



<b>MODIFIED NOTES</b> EC NO: UCP2010-0471 DRAWN: JAGULAR 2009/12/23 CHKD: BELL 2009/12/23 APPR: SMITH 2009/12/28 G1	<b>QUALITY SYMBOLS</b> ▽=0 ▽=0	<b>GENERAL TOLERANCES (UNLESS SPECIFIED)</b>		<b>DIMENSION STYLE</b> IN/MM		<b>SCALE</b> 10:1	<b>DESIGN UNITS</b> METRIC	THIRD ANGLE PROJECTION																											
		<table border="1"> <tr> <th></th> <th>mm</th> <th>INCH</th> </tr> <tr> <td>4 PLACES</td> <td>± .005</td> <td>± .0005</td> </tr> <tr> <td>3 PLACES</td> <td>± .010</td> <td>± .0010</td> </tr> <tr> <td>2 PLACES</td> <td>± 0.25</td> <td>± .015</td> </tr> <tr> <td>1 PLACE</td> <td>± 0.38</td> <td>± .030</td> </tr> </table>			mm	INCH	4 PLACES	± .005	± .0005	3 PLACES	± .010	± .0010	2 PLACES	± 0.25	± .015	1 PLACE	± 0.38	± .030	<table border="1"> <tr> <th>DRAWN BY</th> <th>DATE</th> </tr> <tr> <td>GEP</td> <td>1994/07/25</td> </tr> <tr> <th>CHECKED BY</th> <th>DATE</th> </tr> <tr> <td>RJF</td> <td>1994/07/25</td> </tr> <tr> <th>APPROVED BY</th> <th>DATE</th> </tr> <tr> <td>RJF</td> <td>1994/07/25</td> </tr> </table>		DRAWN BY	DATE	GEP	1994/07/25	CHECKED BY	DATE	RJF	1994/07/25	APPROVED BY	DATE	RJF	1994/07/25	<b>TITLE</b> TERMINAL, MALE, CRIMP MINI-FIT JR HCS SERIES		
			mm	INCH																															
		4 PLACES	± .005	± .0005																															
3 PLACES	± .010	± .0010																																	
2 PLACES	± 0.25	± .015																																	
1 PLACE	± 0.38	± .030																																	
DRAWN BY	DATE																																		
GEP	1994/07/25																																		
CHECKED BY	DATE																																		
RJF	1994/07/25																																		
APPROVED BY	DATE																																		
RJF	1994/07/25																																		
<b>DRAFT WHERE APPLICABLE MUST REMAIN WITHIN DIMENSIONS</b>		<b>SEE CHART</b>		<b>MOLEX INCORPORATED</b>		<b>DOCUMENT NO.</b> SD-44478-****																													