

Excellent Integrated System Limited

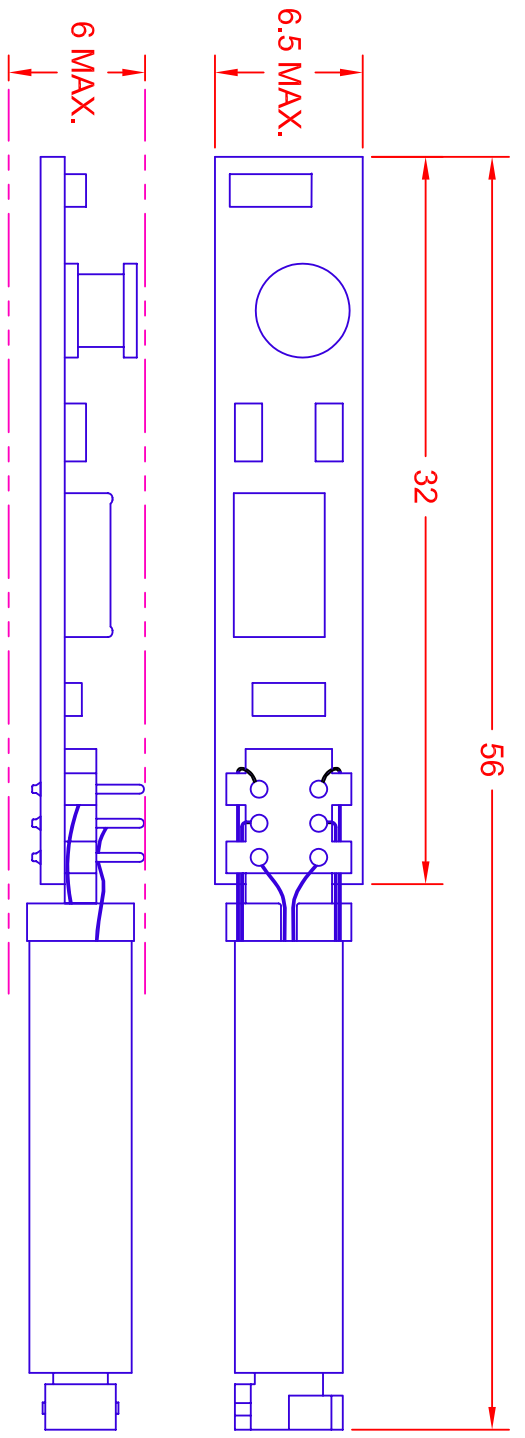
Stocking Distributor

Click to view price, real time Inventory, Delivery & Lifecycle Information:

[JKL Components Corporation](#)
[BXA-12576](#)

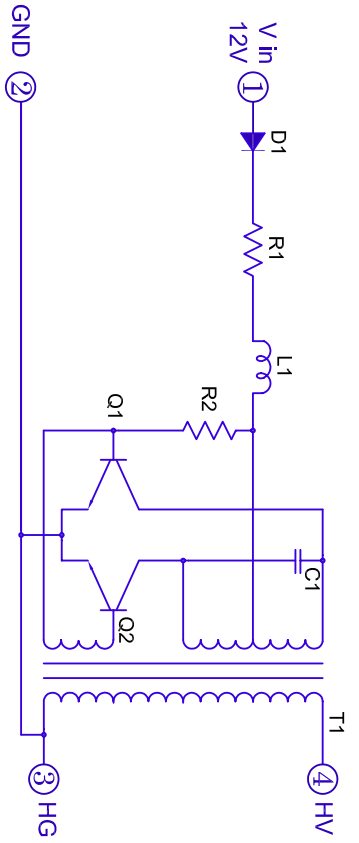
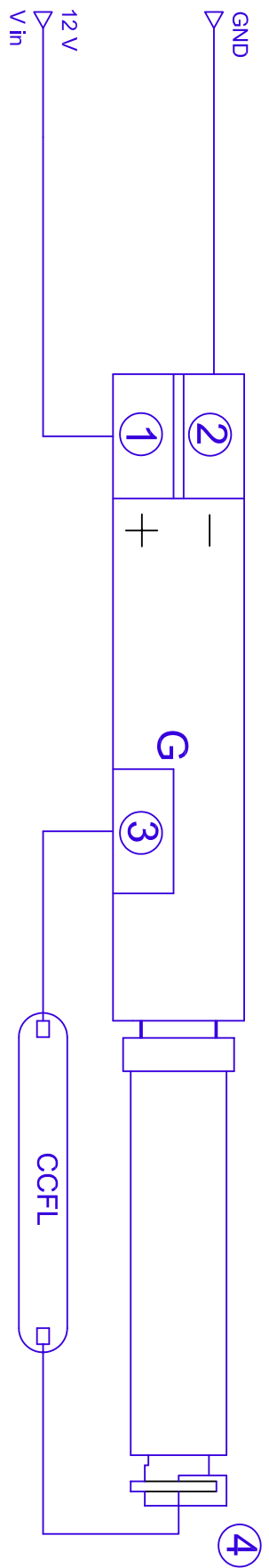
For any questions, you can email us directly:

sales@integrated-circuit.com



REV.	DESCRIPTION/ECO NO.	DATE
A	RELEASED AS CAD DRW.	7/11/03
A	OPER. SPEC. CORRECTION	9/24/03
B	ADD RoHS NOTE	3/16/07

BOARD PIN #	INPUT
1	+V (V _{in})
2	V (GND)
3	OUT GND
4	V OUT



OPERATING SPECIFICATIONS

CHARACTERISTICS	MIN	TYP	MAX
INPUT VOLTAGE: (Vdc)	10.0	12.0	15.0
INPUT CURRENT: (mA)	130	150	170
OUTPUT VOLTAGE: (Vrms)	700	800	900
OUTPUT CURRENT (mA)	3.0	4.0	5.0
OUTPUT FREQUENCY: (KHz)	85	105	125
OPERATING TEMP: (CELSIUS)	0	25	50

*JKL PART NO.: BXA-12576
*ROHS COMPLIANT

METRIC	DIMENSIONS ARE IN MILLIMETERS	TOLERANCE UNLESS OTHERWISE SPECIFIED	1 PL +/- 0.2	2 PL +/- 0	3 PL +/- 0
THIRD ANGLE PROJECTION					
JKL COMPONENTS CORPORATION	12V CCFL INVERTER	FCGM NO.	55335	DRAWING NO.	BXA-12576
OPERATING SPECIFICATIONS	MIN	TYP	MAX	REV. NO.	B
INPUT VOLTAGE: (Vdc)	10.0	12.0	15.0	DATE	7/11/03
INPUT CURRENT: (mA)	130	150	170	RELEASED	3/16/07
OUTPUT VOLTAGE: (Vrms)	700	800	900	REV. NO.	B
OUTPUT CURRENT (mA)	3.0	4.0	5.0	DATE	3/16/07
OUTPUT FREQUENCY: (KHz)	85	105	125	REV. NO.	B
OPERATING TEMP: (CELSIUS)	0	25	50	DATE	3/16/07
DRAWN BY	L. WENGSTROM	APPR'D BY	J.K.	SCALE	NONE
DATE	3/16/07	DATE	3/16/07	SIZE	A
MANUAL REVISIONS NOT PERMITTED	- CAD DRAWING -	MANUAL REVISIONS NOT PERMITTED	MANUAL REVISIONS NOT PERMITTED	RELEASED	7/11/03