

Excellent Integrated System Limited

Stocking Distributor

Click to view price, real time Inventory, Delivery & Lifecycle Information:

[Tamura](#)
[TTC-105-1](#)

For any questions, you can email us directly:
sales@integrated-circuit.com



REV. Status

REVISION - 08/18/95 TS
REVISION A REV DIM 4.75 WAS 9.5 ADDED DIMS 4.75 11/8/95 TS
REVISION B NEW FORMAT 07/08/98 TS
REVISION C ADDED RoHS. UL1459 WAS UL1863 10/17/06 MP

FCC68 TELECOMMUNICATIONS COUPLING TRANSFORMER 600:600CT

- A. Electrical Specifications (@ 25°C)
- Pri. Source Impedance; 600Ω
 - Sec. Load Impedance; 600Ω
 - Pri. DC Current; 90mA max (1-3)
 - Operating Level; -45dBm to +10dBm
 - Insertion Loss;
 - 3.0dB max @ 660 to 800Hz, 0dBm, DC90mA
 - 2.5dB max @ 800 to 3.5KHz, 0dBm, DC90mA
 - Frequency Response;
 - +0.7dB, -1.0dB @ 660 to 800Hz, 0dBm, DC90mA (relative to 2KHz)
 - +0.7dB, -0.7dB @ 800 to 3.5KHz, 0dBm, DC90mA (relative to 2KHz)
 - Longitudinal Balance; 60dB min @ 200 to 4KHz
 - DC Resistance;
 - (1-3) = 71Ω ± 15%
 - (4-6) = 117Ω ± 15%
 - Turns Ratio; (1-3) : (4-6) = 1 : 1.00 ± 2%
 - Dielectric Strength;
 - 1500Vrms 1 minute @ Pri. to Sec. and Core
 - 1000Vrms 1 minute @ Sec. to Core

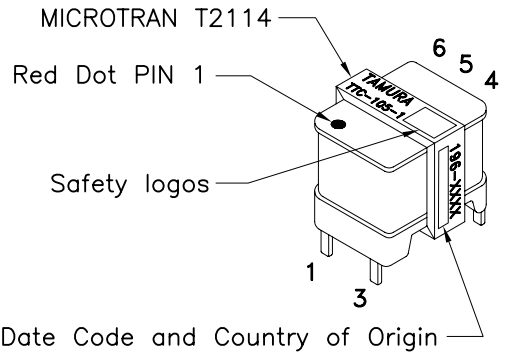
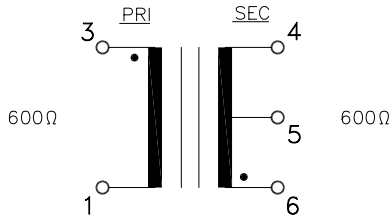


MODEL NUMBER
TTC-105-1

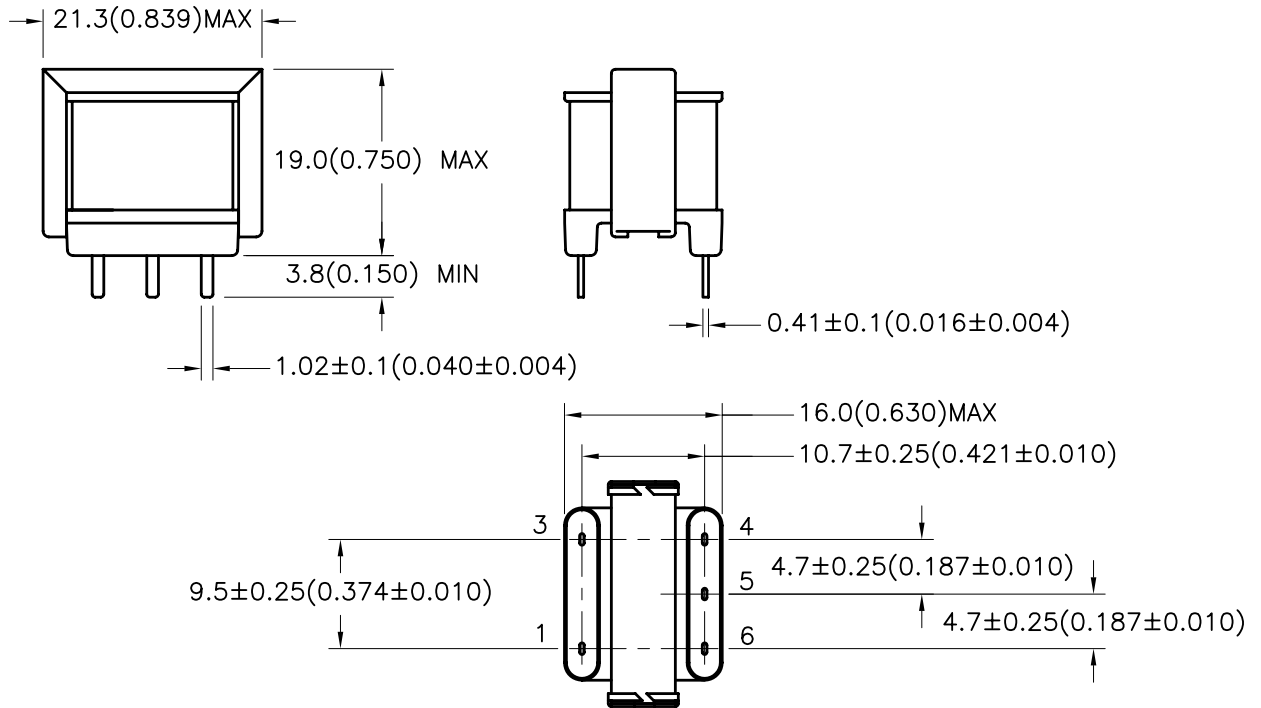


- B. Marking; TTC-105-1, TAMURA, T2114, MICROTAN, date code and country of origin
 C. Safety; CSA-C22.2 No. 66-M1988 File No. LR81383
 UL 1459 File No. E142035

D. Schematic Diagram



E. Mechanical Specifications



TOLERANCES (mm)	
≤ 4	± 0.2
4 ≤ 20	± 0.3
20 ≤ 50	± 0.4

PREPARED BY:

K. BRENNAN

ENGINEER:

M. PITCHAI

QUALITY CONTROL:

T. CLEM

APPROVED:

Y. SEKIGUCHI

DWG CONTROL NO. P-A1-11384
 ACAD\TTC\A113841.DWG

REV C

TELECOMMUNICATION COUPLING TRANSFORMER

TAMURA CORPORATION OF AMERICA
 43352 BUSINESS PARK DRIVE, TEMECULA, CA. 92590-6624
 (951) 699-1270 FAX 9516769482

TTC-105-1

MODEL SPECIFICATION

DIM: mm[In] SCL: 1/1 SH: 1 OF 1

PROPRIETARY NOTICE: THIS DRAWING PRINT OR DOCUMENT AND SUBJECT MATTER DISCLOSED HEREIN ARE PROPRIETARY ITEMS TO WHICH TAMURA RETAINS THE EXCLUSIVE RIGHT OF DISSEMINATION, REPRODUCTION, MANUFACTURE AND SALE. THIS DRAWING, PRINT OR DOCUMENT IS SUBMITTED IN CONFIDENCE FOR CONSIDERATION BY THE RECIPIENT ALONE UNLESS PERMISSION FOR FURTHER DISCLOSURE IS EXPRESSLY GRANTED IN WRITING.