

## **Excellent Integrated System Limited**

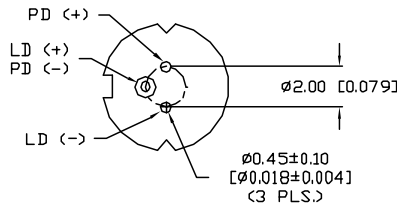
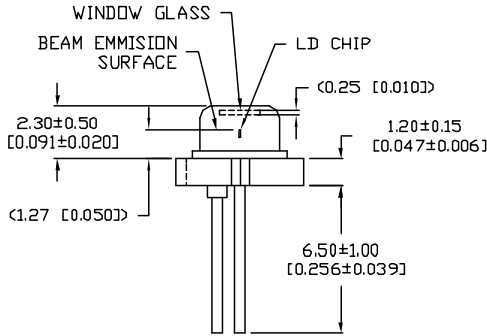
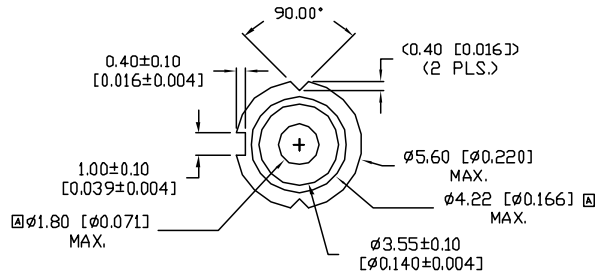
Stocking Distributor

Click to view price, real time Inventory, Delivery & Lifecycle Information:

[Lumex, Inc.](#)  
[OED-LDP65001E](#)

For any questions, you can email us directly:  
[sales@integrated-circuit.com](mailto:sales@integrated-circuit.com)

UNCONTROLLED DOCUMENT



PART NUMBER		REV.
OED-LDP65001E		A
REV.	E.C.N. NUMBER AND REVISION COMMENTS	DATE
A	E.C.N. #11375.	12.13.06

ELECTRO-OPTICAL CHARACTERISTICS (Tc=25°C)

PARAMETER	SYMBOL	MIN	TYP	MAX	TEST COND	UNITS
LASING WAVELENGTH	$\lambda$		650	660	Po=5mW	nm
THRESHOLD CURRENT	Ith		20	30	CW	mA
OPERATING CURRENT	Iop		28	35	Po=5mW	mA
OPERATING VOLTAGE	Vop	2.0	2.2	2.5	Po=5mW	V
MONITORING CURRENT	I <sub>m</sub>	0.1	0.2	0.5	Po=5mW	mA
BEAM DIVERGENCE:	$\theta$		9		Po=5mW,	deg.
	$\theta_L$		35		FWHM	deg.

ABSOLUTE MAXIMUM RATINGS (Tc=25°C)

PARAMETER	SYMBOL	MAX	UNITS
OPTICAL POWER	Po	5	mW
LD REVERSE VOLTAGE	Vr(LD)	2	V
PD REVERSE VOLTAGE	Vr(PD)	30	V
OPERATING TEMP.	Top	-10 TO +40	°C
STORAGE TEMP.	Tstg	-40 TO +85	°C



UNCONTROLLED DOCUMENT

\*UNLESS OTHERWISE SPECIFIED TOLERANCE IS ±0.25mm (±0.010")

REV. A	PART NUMBER OED-LDP65001E	<p><b>CONFIDENTIAL INFORMATION</b>          THE INFORMATION CONTAINED IN THIS DOCUMENT IS THE PROPERTY OF LUMEX INC. EXCEPT AS SPECIFICALLY AUTHORIZED IN WRITING BY LUMEX INC. THE HOLDER OF THIS DOCUMENT SHALL KEEP ALL INFORMATION CONTAINED HEREIN CONFIDENTIAL AND SHALL PROTECT SAME IN WHOLE OR IN PART FROM DISCLOSURE AND DISSEMINATION TO ALL THIRD PARTIES.</p> <p><b>RELIABILITY NOTE</b>          OUR MANY YEARS OF EXPERIENCE DATA ACCUMULATION INDICATE THAT SOLDER HEAT IS A MAJOR CAUSE OF EARLY AND FUTURE FAILURE. PLEASE PAY ATTENTION TO YOUR SOLDERING PROCESS.</p>	<p><b>LUMEX INCORPORATED</b></p> <p>290 E. HELLEN ROAD          PALATINE, ILLINOIS 60067          PHONE: 1-847-359-2790          WEB: HTTP://WWW.LUMEX.COM</p>
650nm LASER DIODE, TO-18 (∅5.6mm) PACKAGE, 5mW OUTPUT.		DRAWN BY: JC CHECKED BY: APPROVED BY: DATE: 12.13.06 PAGE: 1 OF 1 SCALE: N/A	