

## Excellent Integrated System Limited

Stocking Distributor

Click to view price, real time Inventory, Delivery & Lifecycle Information:

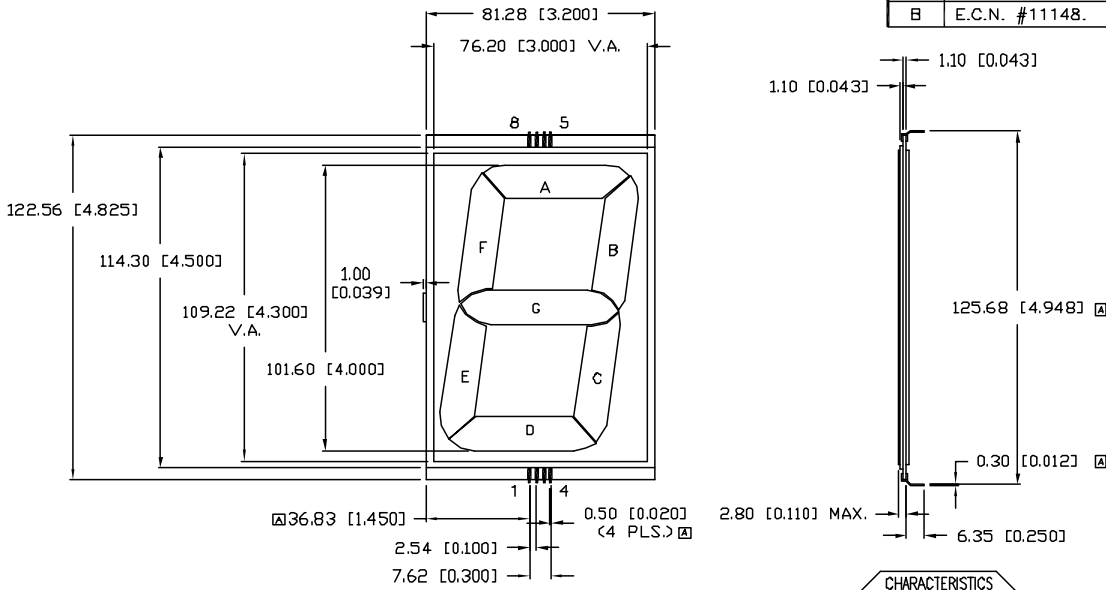
[Lumex, Inc.](#)  
[LCD-S101D40TR](#)

For any questions, you can email us directly:

[sales@integrated-circuit.com](mailto:sales@integrated-circuit.com)

UNCONTROLLED DOCUMENT


|               |                                     |          |
|---------------|-------------------------------------|----------|
| PART NUMBER   |                                     | REV.     |
| LCD-S101D40TR |                                     | B        |
| REV.          | E.C.N. NUMBER AND REVISION COMMENTS | DATE     |
| A             | E.C.N. #11250.                      | 5.27.05  |
| B             | E.C.N. #11148.                      | 02.07.07 |



|       |     |   |   |   |   |   |   |   |
|-------|-----|---|---|---|---|---|---|---|
| PIN # | 1   | 2 | 3 | 4 | 5 | 6 | 7 | 8 |
| SEG   | COM | E | D | C | B | A | F | G |

| CHARACTERISTICS    |               |
|--------------------|---------------|
| FLUID TYPE:        | TN            |
| BACKGROUND COLOR:  | GRAY          |
| VIEWING DIRECTION: | 6:00          |
| DISPLAY MODE:      | REFLECTIVE    |
| OPERATING VOLTAGE: | 5.0V A.C. [a] |
| OPERATING TEMP.:   | 0°C TO 50°C   |
| STORAGE TEMP.:     | -20°C TO 70°C |
| DRIVING METHODE:   | STATIC, [a]   |
| CONNECTION TYPE:   | 8 PINS        |

\*UNLESS OTHERWISE SPECIFIED TOLERANCES PER DECIMAL PRECISION ARE: X=±1 (±0.039), XX=±0.5 (±0.020), XXX=±0.25 (±0.010), XXXX=±0.127 (±0.005). LEAD SIZE=±0.05 (±0.002), LEAD LENGTH=±0.75 (±0.030), MIN= -0.30, MAX= +0.00 -DECIMAL PRECISION

|   |                              |  |   |
|---|------------------------------|--|---|
| REV.<br>B   | PART NUMBER<br>LCD-S101D40TR | <p><b>CONFIDENTIAL INFORMATION</b></p> <p>THE INFORMATION CONTAINED IN THIS DOCUMENT IS THE PROPERTY OF LUMEX INC. EXCEPT AS SPECIALLY AUTHORIZED IN WRITING BY LUMEX INC., THE HOLDER OF THIS DOCUMENT SHALL KEEP ALL INFORMATION CONTAINED HEREIN CONFIDENTIAL AND SHALL PROTECT SAME IN WHOLE OR IN PART FROM DISCLOSURE AND DISSEMINATION TO ALL THIRD PARTIES.</p> <p><b>RELIABILITY NOTE</b></p> <p>OUR MANY YEARS OF EXPERIENCE DATA ACCUMULATION INDICATE THAT SOLDER HEAT IS A MAJOR CAUSE OF EARLY AND FUTURE FAILURE. PLEASE PAY ATTENTION TO YOUR SOLDERING PROCESS.</p> |  <p>290 E. HELEN ROAD<br/>PALATINE, IL 60067-6976<br/>PHONE: +1.847.359.2790<br/>US WEB: www.lumex.com<br/>TW WEB: www.lumex.com.tw</p> |
| 4.0" CHARACTER HEIGHT, SINGLE DIGIT LCD GLASS,<br>TN, REFLECTIVE, 8 PINS. |                              | DRAWN BY: JC<br>CHECKED BY:<br>APPROVED BY:  | DATE: 11.19.98<br>PAGE: 1 OF 1<br>SCALE: N/A  |